



SPECIFICATION

Customer : _____

Customer P/N : **OS70506A-AEAN-155.52MHz**

Agent : _____

Agent Code : _____

Order Code : _____

P/N : _____

Customer Approval :

东莞市大普通信技术有限公司

Dongguan DAPU Telecom Technology co.,Ltd

市场/SALE DEPARTMENT

TEL: 0769-81867888

FAX: 0769-81800098

URL [HTTP://www.dptel.com](http://www.dptel.com)

Date : _____

Approved By: _____

品质部/QUALITY ASSURANCE DEPT

TEL:0769-81867888-833

Checked By: _____

研发部/R&D DEPT.

TEL:0769-81867888-828

Designer : _____



1、 Scope:

- 1.1 Description: SMD Crystal Oscillator
- 1.2 Center Frequency: 155.52MHz
- 1.3 Dimension & Drawing No: OS70506A-AEAN-155.52MHz

2、 Construction:

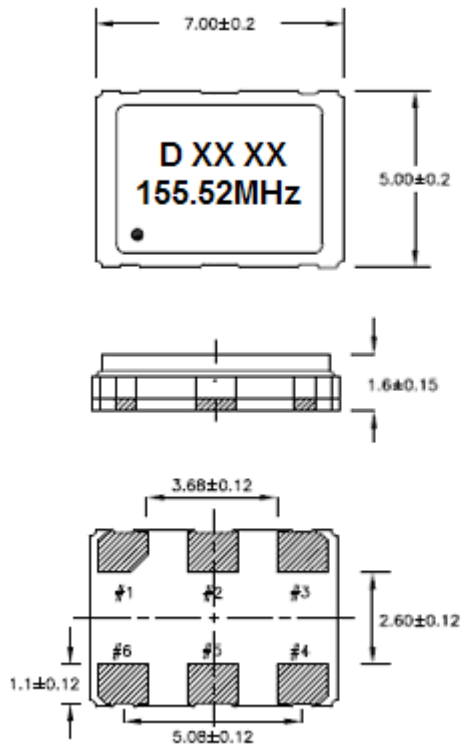
- 2.1 Oscillators series: SMD7×5 XO

3、 Electrical Characteristics

- 3.1 Nominal Frequency: 155.52MHz
- 3.2 Frequency Stability: $\leq \pm 30\text{ppm}$ @ Include Freq. Tolerance, Temp., Supply voltage, Load.
- 3.3 Aging: $\leq \pm 3\text{ppm/year}$ @ at 25°C $\pm 5^\circ\text{C}$
- 3.4 Operating Temperature Range: 0°C to +70°C
- 3.5 Storage Temperature Range: -55°C to +125°C
- 3.6 Input Voltage: +3.3Vdc $\pm 5\%$
- 3.7 Current Consumption: $\leq 100\text{mA}$
- 3.8 Output Waveform: LVPECL
- 3.9 Output Symmetry: 45% ~ 55% @ 1.65V
- 3.10 Rise/Fall Time: $\leq 0.5\text{ns}$ @ 20% ~ 80% of wave
- 3.11 Output Voltage V_{OL} : $\leq 1.68\text{V}$
 V_{OH} : $\geq 2.275\text{V}$
- 3.12 Output Load: 47.5Ω ~ 52.5Ω
- 3.13 Tri-state(standby function) 2.97V $\leq V_{ih} \leq V_{cc}$ @ Enable
GND $\leq V_{il} \leq 0.33\text{V}$ @ Disable
- 3.14 Start Time: $\leq 10\text{ms}$ @ +3.135V
- 3.15 Jitter $\leq 5\text{ps(RMS)}$ @ 12 kHz ~ 20 MHz BW



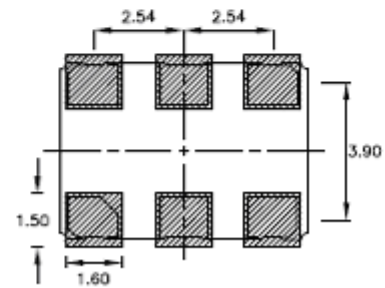
4. Figure



Standard

Terminal	Connection
#1	NC or INH
#2	NC
#3	GND
#4	OUT
#5	OUTN
#6	+Vcc

LAND PATTERN (REFERENCE)



Unit : mm

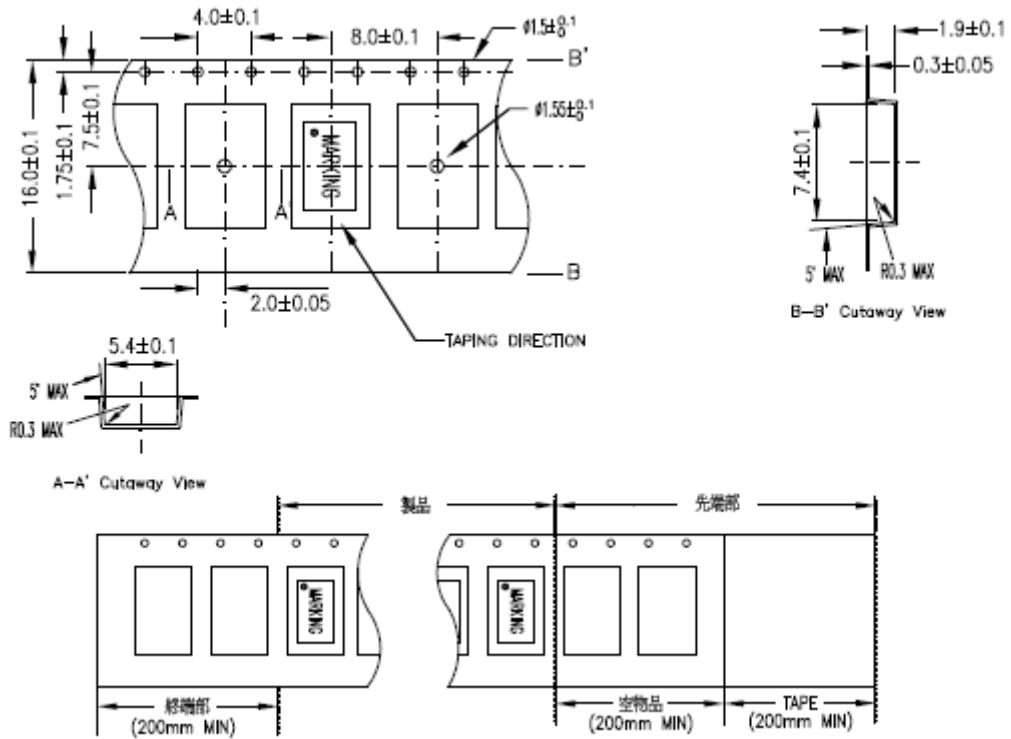
备注：打标图解说：

D XX XX

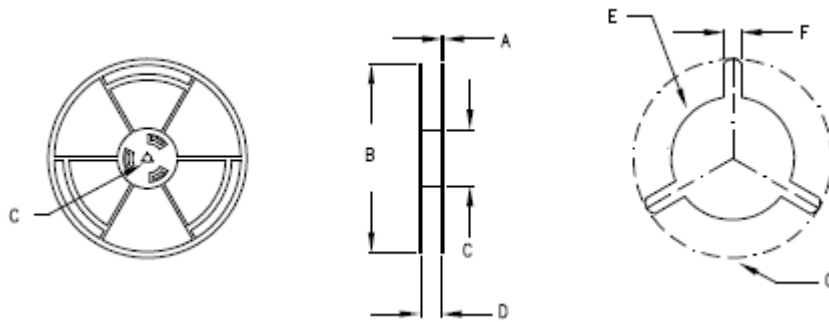
- 1) D 代表： DAPU
- 2) 前两个 XX 代表： 年
- 3) 后两个 XX 代表： 周



5. Carrier Type



6. Reel



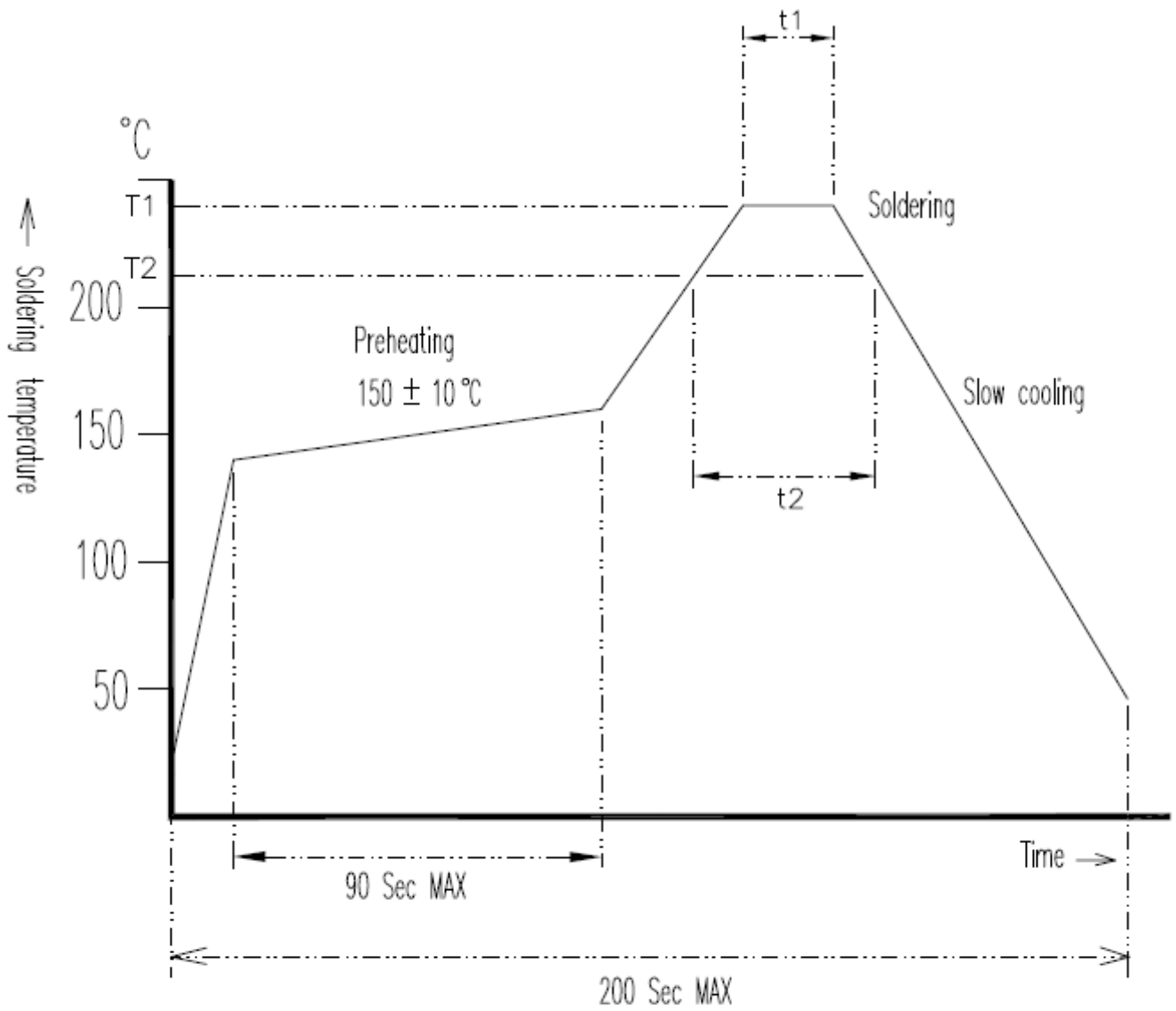


7. Environmental Performance

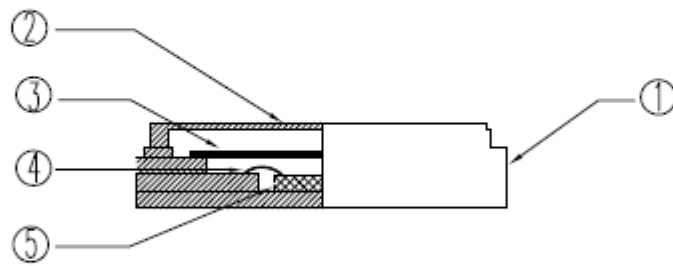
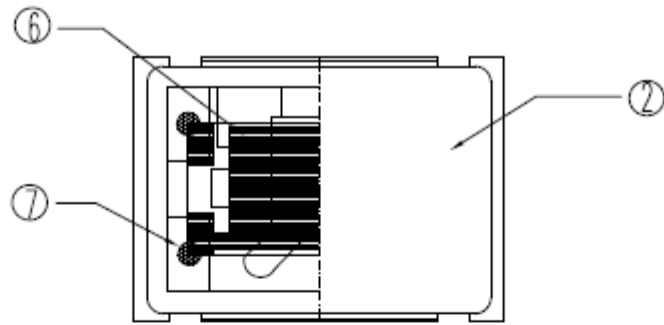
ITEM	CONDITION	SPECIFICATIONS					
1. Low temperature storage	Temp. : $-40 \pm 3^{\circ}\text{C}$ Time : 1000 ± 2 H Measure after leaving a room for 1~2 H	Frequency stability ΔF : ± 5.0 ppm max					
2. High temperature storage	Temp. : $+85 \pm 2^{\circ}\text{C}$ Time : 1000 ± 2 H Measure after leaving a room for 1~2 H						
3. Moisture resistance (High temperature and high humidity storage)	Temp. : $+85 \pm 2^{\circ}\text{C}$ Hum. : 90 ~ 95%RH Time : 1000 ± 2 H Measure after leaving a room for 2 hours						
4. Shock	A half sine wave acceleration of 490 m/s^2 peak amplitude of 7 to 11 ms duration 3 shock each plane.						
5. Damp heat cycle	Setup temperature and test time as below table : Cycle : 100 cycles Measure after leaving a room for 2 hour <table border="1" style="margin-left: 20px;"> <thead> <tr> <th>Temperature</th> <th>Time</th> </tr> </thead> <tbody> <tr> <td>Operating Temp. (Low Temp.) $+0/-6^{\circ}\text{C}$</td> <td>30 ± 3 min</td> </tr> <tr> <td>Operating Temp. (High Temp.) $+4/-0^{\circ}\text{C}$</td> <td>30 ± 3 min</td> </tr> </tbody> </table>		Temperature	Time	Operating Temp. (Low Temp.) $+0/-6^{\circ}\text{C}$	30 ± 3 min	Operating Temp. (High Temp.) $+4/-0^{\circ}\text{C}$
Temperature	Time						
Operating Temp. (Low Temp.) $+0/-6^{\circ}\text{C}$	30 ± 3 min						
Operating Temp. (High Temp.) $+4/-0^{\circ}\text{C}$	30 ± 3 min						

8. Mechanical Performance

6. Solderability	Solder bath : $+235^{\circ}\text{C} \pm 5^{\circ}\text{C}$ Time: 2 ± 0.5 S	The dipping surface of the lead shall be at least 95% covered with a continuous new solder coating.
7. Resistance to soldering heat	Solder bath : $+260^{\circ}\text{C} \pm 5^{\circ}\text{C}$ Time: 2 ± 0.5 S Reflow chart as attach sheet. (2 Times)	<ul style="list-style-type: none"> • Shall Be free from any defectiveness on its surface. • Frequency stability ΔF : ± 5.0 ppm max
8. Airtight	Solder bath : $+260^{\circ}\text{C} \pm 5^{\circ}\text{C}$ Time: 2 ± 0.5 S Reflow chart as attach sheet. (2 Times)	Less than 1×10^{-8} mbarL/S.
9. Vibration	Frequency : 10 ~ 55Hz, amplitude (total excursion): $1.5\text{mm} \pm 15\%$, 3 Direction (X, Y, Z) each 2 H.	Frequency stability ΔF : ± 5.0 ppm max
10. Shock	Dropping from 75 cm high 2 times on hard wood.	Same as above.



Application	Temperature/Time	T1/t1	T2/t2
Lead Free		260±5°C/10 Sec Max	225°C Min/60 Sec Max
Non Lead Free		240±5°C/10 Sec Max	200°C Min/40 Sec Max



PART NAME	MATERIAL	PART NAME	MATERIAL	PART NAME	MATERIAL
1	BASE	4	WIRE	7	ADHESIVES
2	CAP	5	IC		
3	BLANK	6	ELECTRODE		
					SILVER GLUE