

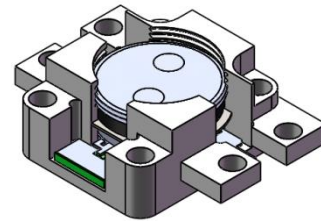


DP3303S

ENG PART:DP-12.7ID-6.0T18.0-CW

6.0GHz to 18.0GHz Single-Junction Drop-in Isolator

REV.	DESCRIPTION	REVISOR	DATE	APPROVED
A	SAME AS REV.2	ZZ.Zhu	2024/11/18	Nick

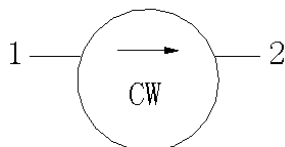


Applications:

- Wireless Infrastructure
- Power Amplifier

Features:

- Operating frequency range: 6.0GHz to 18.0GHz
- Operating temperature range: -30°C to +85°C
- Storage temperature range: -40°C to +135°C
- Small surface-mount package delivered on T&R
- BeO free & RoHS compliant



Block Diagram



Electrical Specifications:

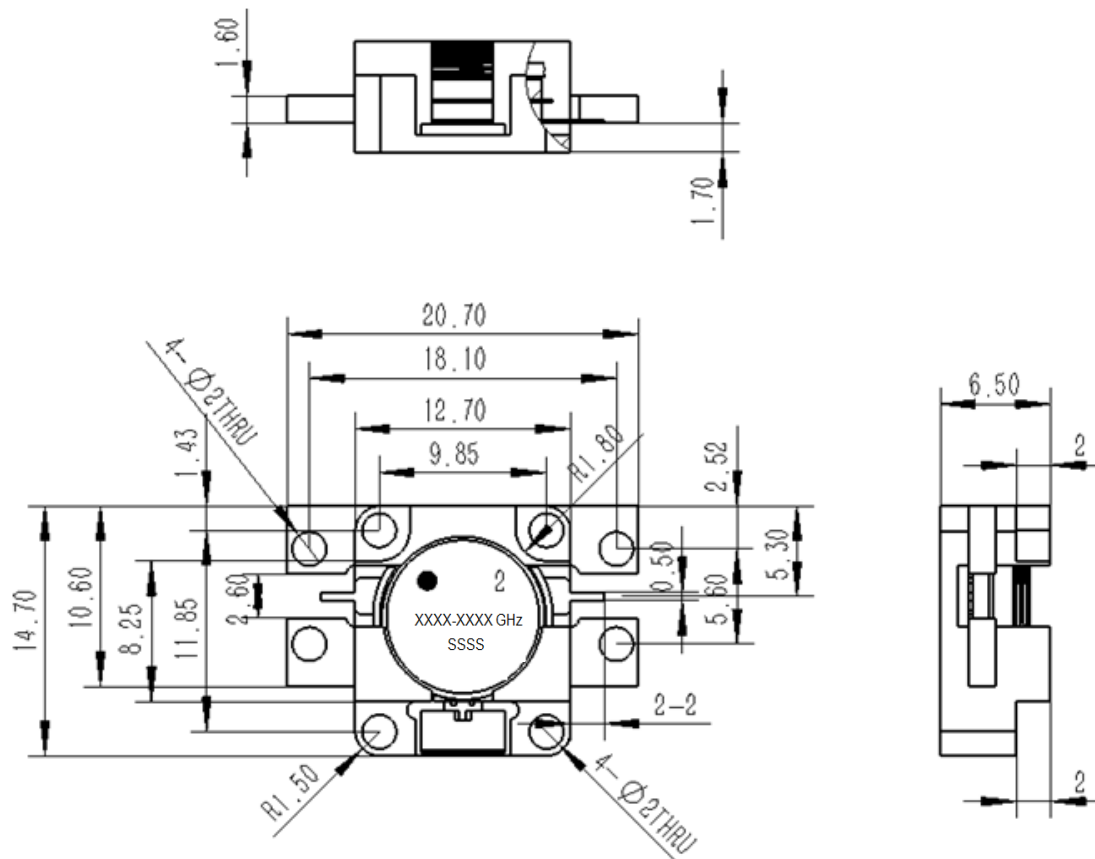
ITEM	SPECIFICATION	
Frequency	6.0~18.0	GHz
Direction	CW	
Impedance	Typ: 50	Ω
Insertion Loss (Max.)	1.2@25±5°C 1.3@-30~+85°C	dB
Isolation (Min.)	11@25±5°C 10@-30~+85°C	dB
Return Loss (Min.)	11.7@25±5°C 11@-30~+85°C	dB
3rd IMD (Max.)	/	dBc
Extend frequency	/	MHz
Group delay	/	ns
2nd harmonic	/	dBc
3rd harmonic	/	dBc
Power FWD/REV/PEAK	20/20/-	W
Termination/Attenuator	20	W/dB
Finish	Housing is silver plating	

Notes:

1. Exposure to maximum rating conditions for extended periods may reduce device reliability. There is no damage to device with only one parameter set at the limit and all other parameters set at or below their nominal value. Exceeding any of the limits listed here may result in permanent damage to the device.
2. Performance is guaranteed under the conditions listed in this table and over the operating temperature range.
3. Performance will not degrade by > 10% (Insertion loss > 20%) with the operating temperature up to 130 °C.



Mechanical Specifications:



Unit: Millimeters

Notes:

1. The housing and circuit is silver-plated.
2. Tolerance ± 0.2 mm unless otherwise specified.
3. Co-planarity Specification: 0.1mm maximum.
4. Part Number, Lot Code, and Port Designation are printed on the top side of device.
5. The XXXX-XXXX on the label represents the operating frequency
6. The SSSS on the label represents the serial number
7. The black dot on the label represents the input port