

Customer Code: _____

DATASHEET

DAPU P/N: DPA2212M0000AH00NA0

DAPU			Customer Approval
Drew	Audited	Approved	Stamp, please! Thanks!
Jieshu ZHENG	Jianhua LIN	Gangtao FENG	
Date:	2024/10/31		

Guangdong Dapu Telecom Technology Co.,Ltd

Bldg 5, SSL Modern Enterprise Accelerator Zone, Dongguan City, Guangdong Province, PRC China
TEL: 0086-0769-88010888 FAX: 0086-0769-81800098



Table of amendment

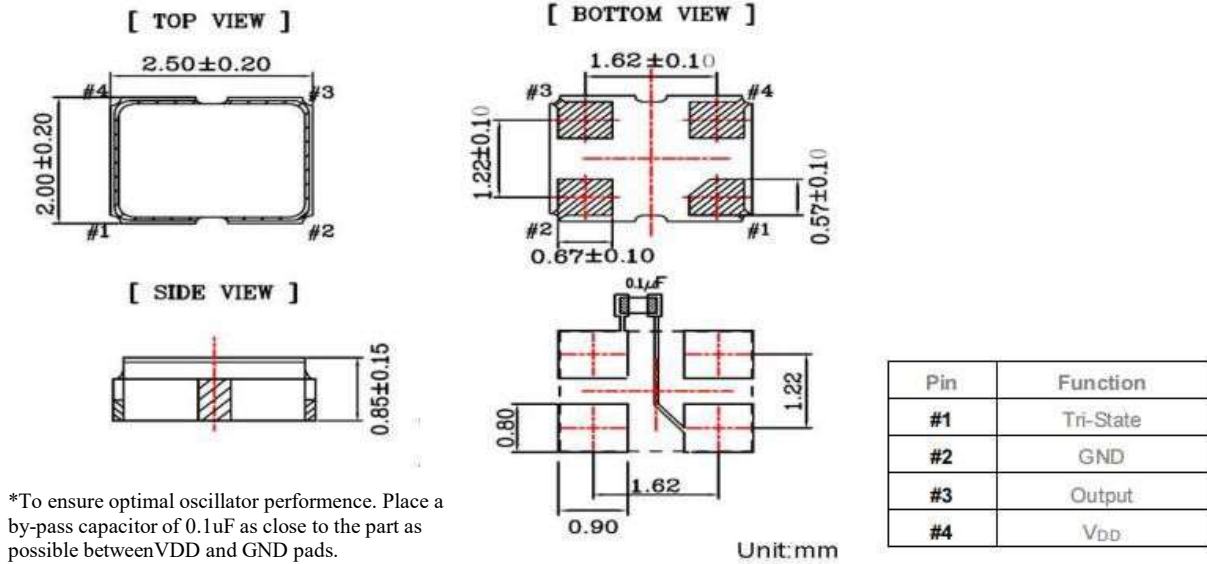
Version	Revision contents	Prepared by	Revised date
1.0		Jieshu ZHENG	2024/10/31

1、Electrical Parameter

MODEL:		DPA2212M0000AH00NA0					
No.	Parameters	SYM.	Electrical Spec.				Notes
			Min.	Typ.	Max.	Units	
1	Nominal Frequency	FL	12.000			MHz	
2	Oscillation Mode	-	Fundamental			-	
3	Frequency Tolerance	-	-20		20	ppm	At 25°C
4	Frequency Stability	-	-30		30	ppm	Over Operating Temperature Range (Reference 25 °C)
5	Operating Temperature	Topr	-40		85	°C	
6	Storage Temperature	Tstg	-55		125	°C	
7	Supply Voltage	V _{DD}	2.97	3.30	3.63	V	
8	Current consumption	I _{cc}			10	mA	No load
9	Output waveform	-	CMOS				
10	Output Load	CL		15			
11	Output Voltage High	V _{OH}	0.9			V _{DD}	
12	Output Voltage Low	V _{OL}			0.1	V _{DD}	
13	Rise Time	T _r			5	ns	10% -90% V _{DD} Level
14	Fall Time	T _f			5	ns	90% -10% V _{DD} Level
15	Aging	-	-3		3	ppm	First Year at 25°C
16	Tri-State Output Enable	-	0.7			V _{DD}	Pin 1, OE
17	Tri-State Output Disable	-			0.3	V _{DD}	Pin 1, OE
18	Duty Cycle	-	45~55			%	
19	Start-Up Time	T _{start}			2	ms	Measured from the time V _{DD} reaches its rated minimum value

2、 Mechanical Structure

2.1 Dimensions



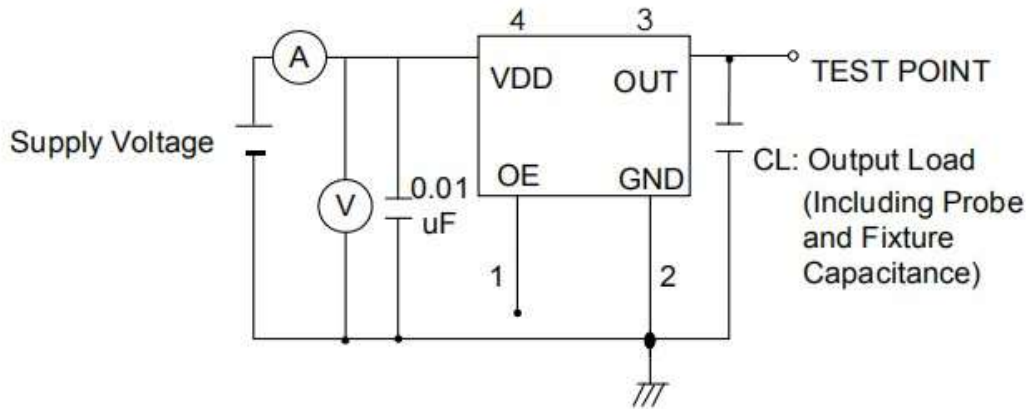
*To ensure optimal oscillator performance. Place a by-pass capacitor of 0.1uF as close to the part as possible between VDD and GND pads.

2.2 Marking



- DAPU LOGO
- 12.000 ----- Frequency
- YYWW ----- Manufactured day: YY:Year WW:Week
- ----- Pin 1

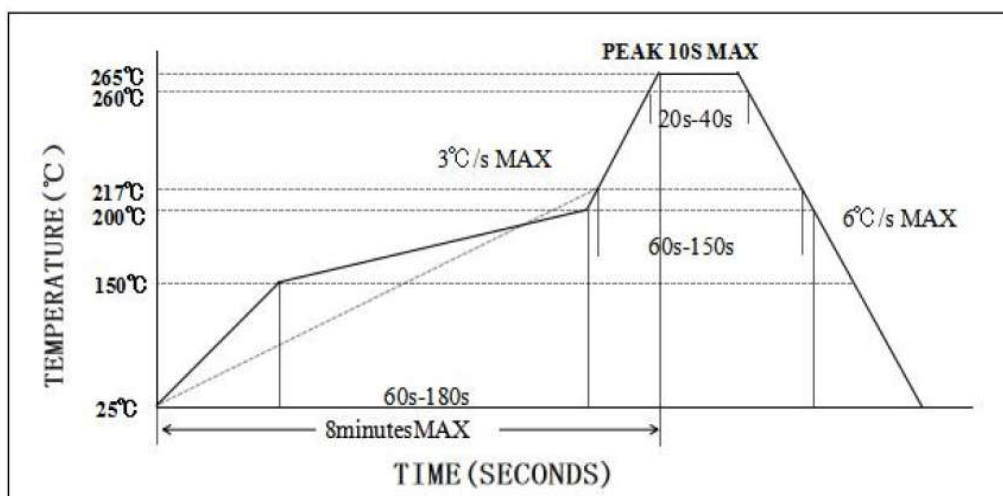
3、 Test Circuit



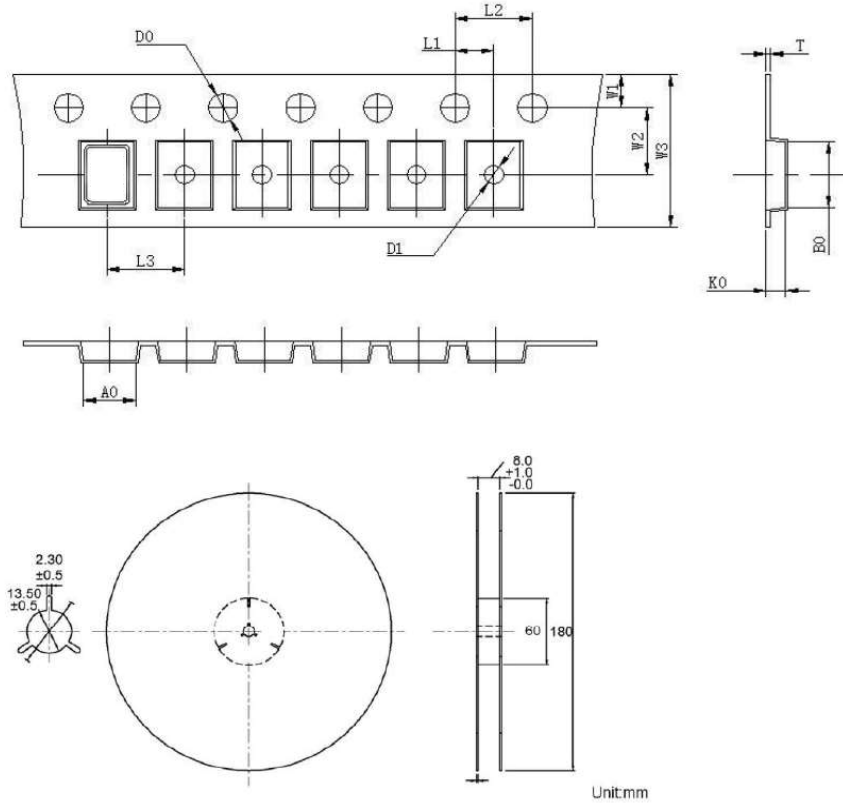
Control input (output enable/disable)

Tri-State Pin	Output Pin
Logic 1 or open	Oscillator output
Logic 0	Disable output to high impedance

4、 Reflow Soldering Curve (RoHS)



5、 Package: Tape & Reel (mm)



L1	2.00 ± 0.1
L2	4.00 ± 0.1
L3	4.00 ± 0.1
D0	1.55 ± 0.05
D1	1.20 ± 0.5
W1	1.75 ± 0.1
W2	3.50 ± 0.1
W3	8.00 ± 0.2
A0	2.25 ± 0.1
B0	2.7 ± 0.1
K0	1.45 ± 0.1
T	0.25 ± 0.05