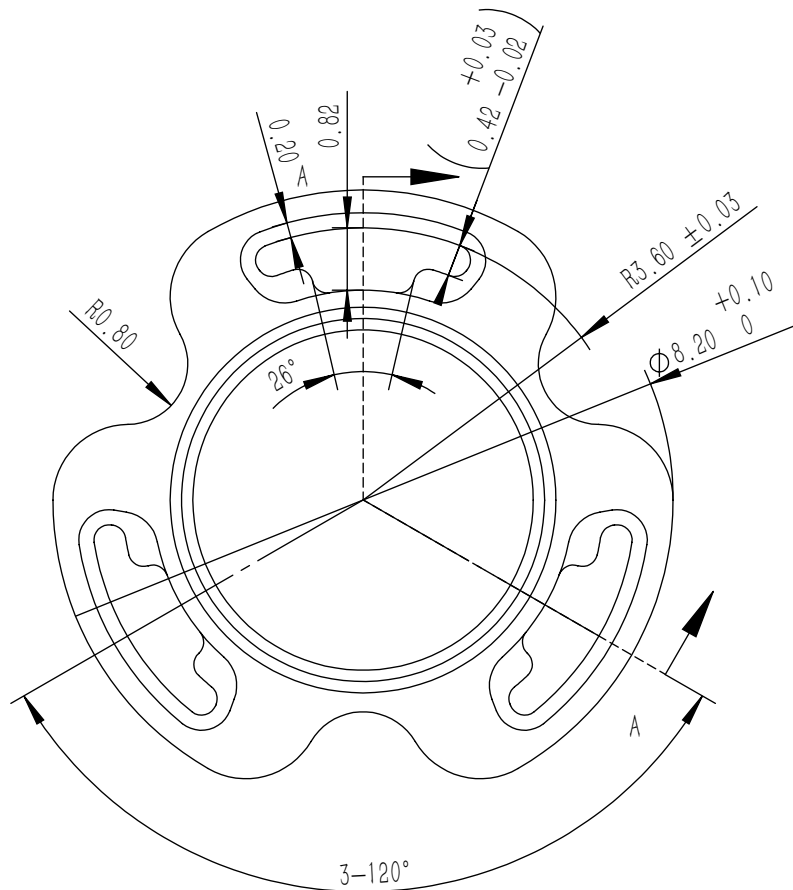
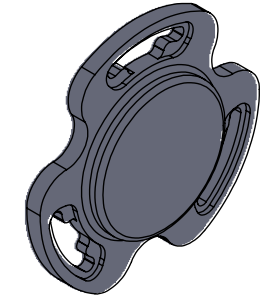
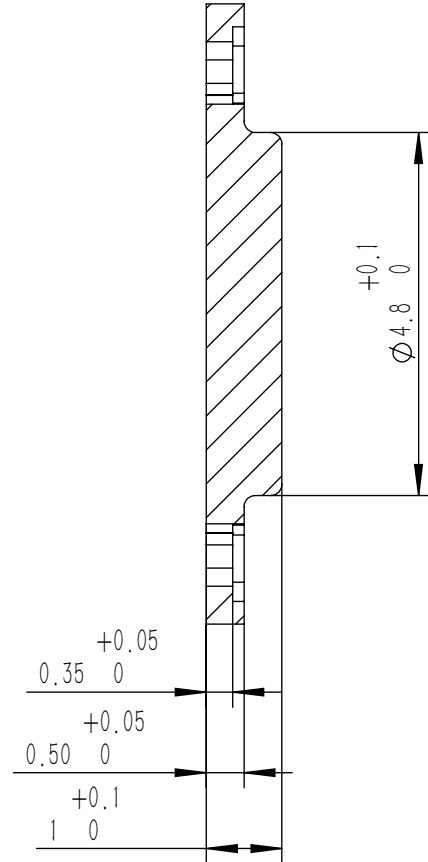


RoHS COMPLIANT

REVISIONS				
REV.	ECN NO.	DESCRIPTION	DATE	REVISOR
A	-	Producing release	2022/11/7	ZZ. Zhu


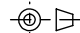


A-A



NOTES:

1. MATERIAL: 不锈钢
2. FINISH: /
3. ANY UNDIMENSIONED FEATURES TO MEET CAD FILE
4. UNLESS OTHERWISE SPECIFIED, REMOVE ALL BURRS VISIBLE WITHOUT MAGNIFICATION
5. ALL DIMENSIONAL LIMITS APPLY AFTER FINISH.
6. ALL THE DIMENSION MUST BE INSPECTED BY IQC.

PART NAME: 盖板	Designed:	ZZ. Zhu	2022/11/7		
	Checked:	ZC. Wu	2022/11/7		
DRAWING NO. : CSF-00022	Approval:	NICK	2022/11/7	TOLERANCES ON	
	The first angle projection: 			DECIMALS	ANGLES
DESCRIPTION: COVER	Sheet 1 of 1			.x ±0.10	±1°
	Scale:	Unit:	-	.xx ±0.05	
	1:1	mm	-	.xxx ±0.02	