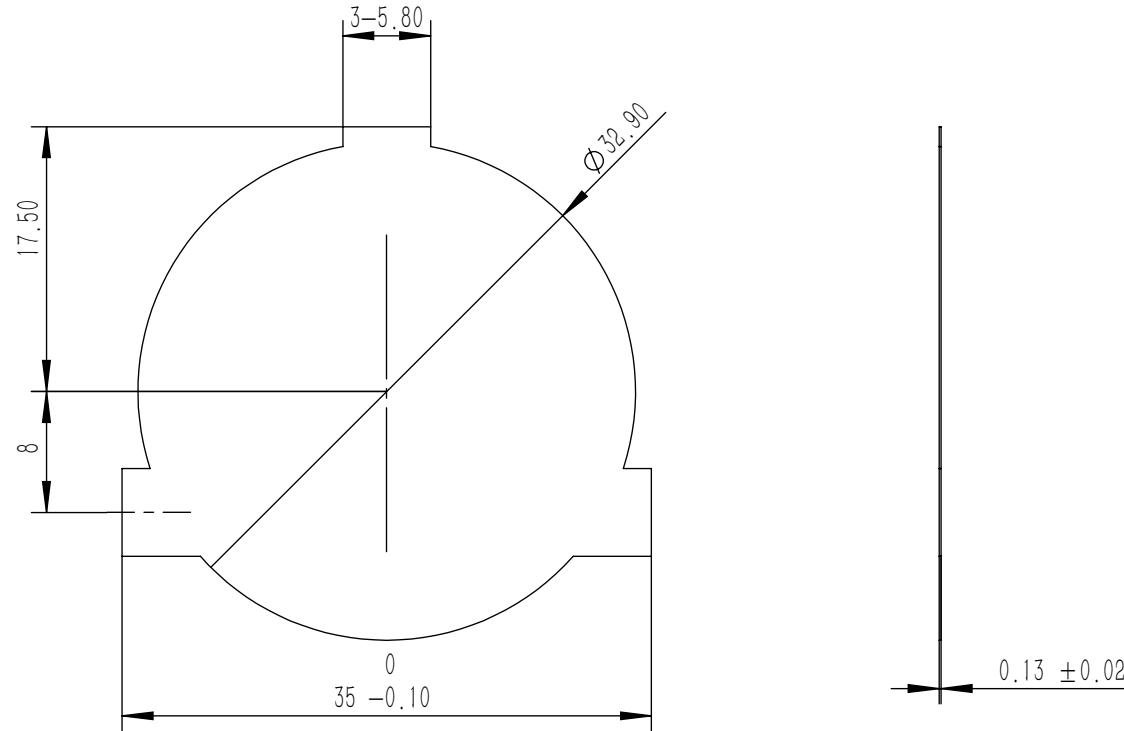


RoHS COMPLIANT

REVISIONS				
REV.	ECN NO.	DESCRIPTION	DATE	REVIOR
A		Producing release	2020/10/26	
B	0920	厚度公差由±0.01改为±0.02	2023/9/21	ZZ. Zhu



NOTES:

1. MATERIAL:COLD ROLL STEEL
2. FINISH:SILVER,PER DP PLATING STANDARDS FILE PSF-00001(LATEST REV.)
3. ANY UNDIMENSIONED FEATURES TO MEET CAD FILE
4. UNLESS OTHERWISE SPECIFIED, REMOVE ALL BURRS VISIBLE WITHOUT MAGNIFICATION
5. ALL DIMENSIONAL LIMITS APPLY AFTER FINISH.

PART NAME: 匀磁片	Designed:	ZZ. Zhu	2023/9/21	DAPU	
	Checked:	ZC. Wu	2023/9/21		
DRAWING NO. : PPF-00031	Approval:	KL. Wang	2023/9/21	TOLERANCES ON	
	The first angle projection:				
DESCRIPTION: POLE PIECE	Sheet 1 of 1			DECIMALS	ANGLES
	Scale:	Unit:	-	.x ±0.10	±0.5°
	1:1	mm		.xx ±0.05	
				.xxx ±0.02	