

Travelling Merchant: _____

DATASHEET

Standard: **T2925-R426-200.00MHz**

P/N: _____

Plot			The Label
Drew	Audited	Approved	Stamp, please! Thanks!
Date: 2022.10.09			

Guangdong Dapu Telecom Technology Co.,Ltd

Building 5, No.24, Industrial East Road, Songshanhu Park, Dongguan, Guangdong, P.R. China

TEL: 0086-0769-88010888 FAX: 0086-0769-81800098



Table of amendment

Version	Revision contents	Prepared by	Revised date
1.0	The first issued	<i>Amway</i>	2022.04.18
1.1	Add: minimum output level, maximum supply current spec, RoHS compliance, Reflow soldering profile.	<i>Amway</i>	2022.04.21
1.2	The “Mechanical Structure” changed	<i>Amway</i>	2022.06.08
1.3	Add “Package”	<i>Amway</i>	2022.08.19
1.4	The “Referential weight” “Package” changed	<i>Amway</i>	2022.10.09



1. Electrical Parameters

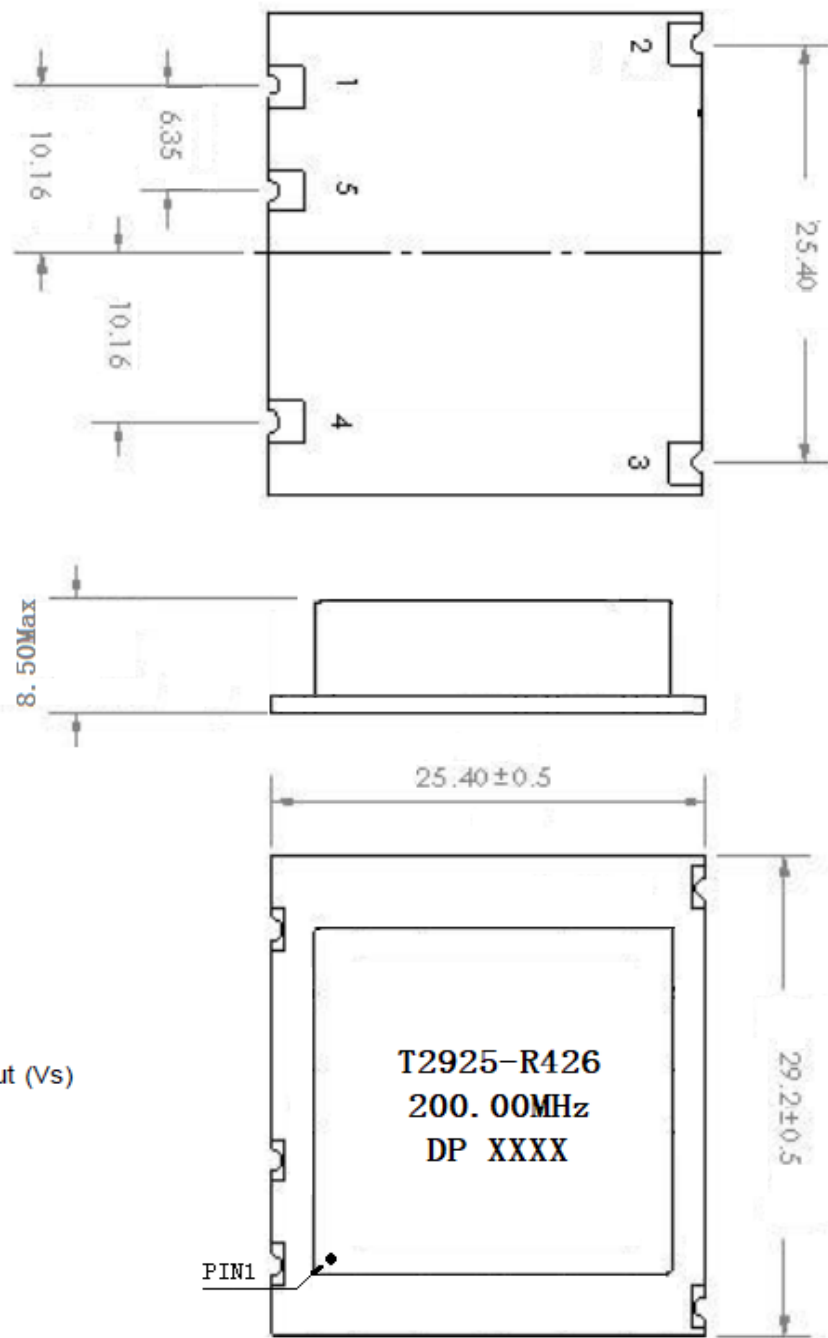
MODEL: T2925-R426-200.00MHz						
Item	Description	Parameters			Unit	Test Condition
		Min.	Typ.	Max.		
Output	Frequency	200.00			MHz	
	Output Waveform	Sine Wave				
	Level	0		6	dBm	
	Harmonics			-30	dBc	
	Sub-Harmonics			-30	dBc	
	Load	50			Ω	
Frequency Stabilities	Frequency Tolerance vs. Operating Temperature Range	-3		+3	$\times 10^{-6}$	T_A varied from 0°C to 70°C, measurement referenced to frequency observed with $T_A = 25^\circ\text{C}$, $V_{cc}=5.0\text{V}$, $V_c=2.0\text{V}$, $O_{load}=50\Omega$, temperature variable speed less than 2°C per minute.
	Initial Frequency Tolerance	-1.0		+1.0	$\times 10^{-6}$	Measurement referenced to frequency observed with $T_A = 25^\circ\text{C}$, $V_{cc}=5.0\text{V}$, $V_c = 2.0\text{V}$ within 30 days after ex-works.
	Frequency Tolerance vs. Supply Voltage	-0.2		+0.2	$\times 10^{-6}$	measurement referenced to frequency observed $T_A=25^\circ\text{C}$, V_{cc} varied from 4.75V to 5.25V, $V_c=2.0\text{V}$ and $O_{Load}=50\Omega$.
	Frequency Tolerance vs. Load	-0.2		+1.5	$\times 10^{-6}$	5% load change measurement referenced to frequency observed with $T_A= 25^\circ\text{C}$, $V_{cc}=5.0\text{V}$, $V_c=2.0\text{V}$, $O_{Load}=50\Omega$.
	Aging Tolerance 1st Year	-1.5		+1	$\times 10^{-6}$	$T_A=25^\circ\text{C}$, $V_{cc}=5.0\text{V}$, $V_c=2.0\text{V}$ and after 1h of operation.
	Aging Tolerance Year (after year 1)	-1		+3	$\times 10^{-6}$	
	Aging Tolerance 15 Years	-7		+7	$\times 10^{-6}$	
Power Supply	Current Consumption		30	40	mA	@25°C
	Supply Voltage	4.75	5.0	5.25	V	



Voltage Control Characteristics	Frequency Tuning Range			-10	$\times 10^{-6}$	$V_c=0.5V$. measurement referenced to $V_c=2.0V$
		-1.0		+1.0	$\times 10^{-6}$	$V_c=2.0V$. measurement referenced to exactly 200.00MHz
		+10			$\times 10^{-6}$	$V_c=4.5V$. measurement referenced to $V_c=2.0V$
	Slope	Positive				
	Input Impedance	100			K Ω	
Phase Noise	Phase Noise		-65		dBc/Hz	10Hz
			-100			100Hz
			-125			1KHz
			-145			10KHz
			-155			100KHz
Environmental Conditions	Operable Temperature	0		+70	$^{\circ}C$	
	Storage Temperature	-55		+105	$^{\circ}C$	
	ESD Level	Human Body Model,class2: 2000V to 4000V; ANSI/ESDA/JEDEC JS-001-2010.				
		Machine Model, class B: 200V to 400V; JEDEC JESD22-A115C.				
	Moisture Sensitivity Level	Level:2				
	Vibration	Test Condition: 0.75mm ;acceleration:10g;10Hz~2000Hz, one cycle per 30 min, test 2 hour. (3 times for each 3 directions X , Y , Z).IEC 68-2-06 Test Fc.				
	Shock	100g; 6ms; half sine wave (3 times for each 3 directions X , Y , Z),IEC 68-2-27 Test Ea/Severity 50A.				
RoHS Compliance	This part is fully RoHS compliant					
Full Package Storage	Relative humidity (%)	20%~70%				
	Temperature ($^{\circ}C$)	-10~35 $^{\circ}C$				



2. Mechanical Structure(mm)



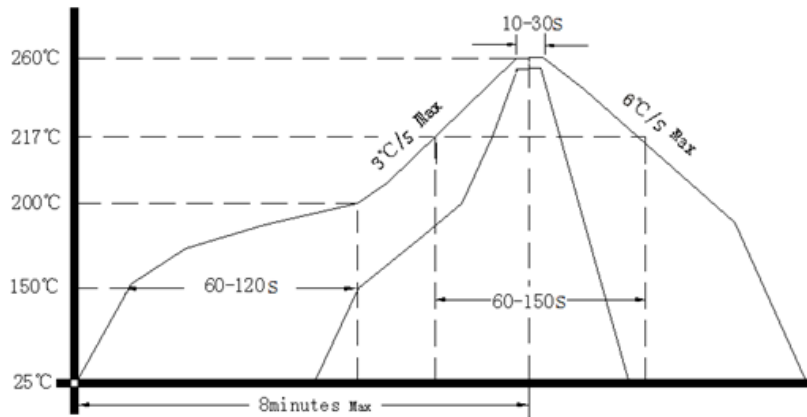
Pin Connections

- 1 RF Output
- 2 Supply Voltage Input (Vs)
- 3 Ground
- 4 EFC
- 5 Ground

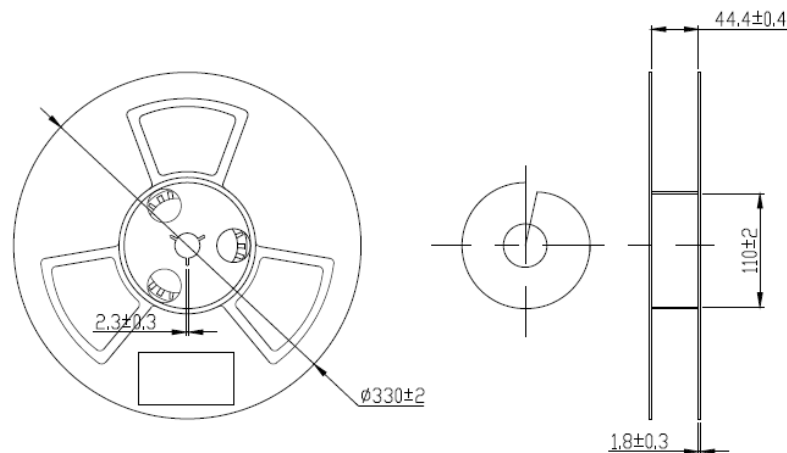
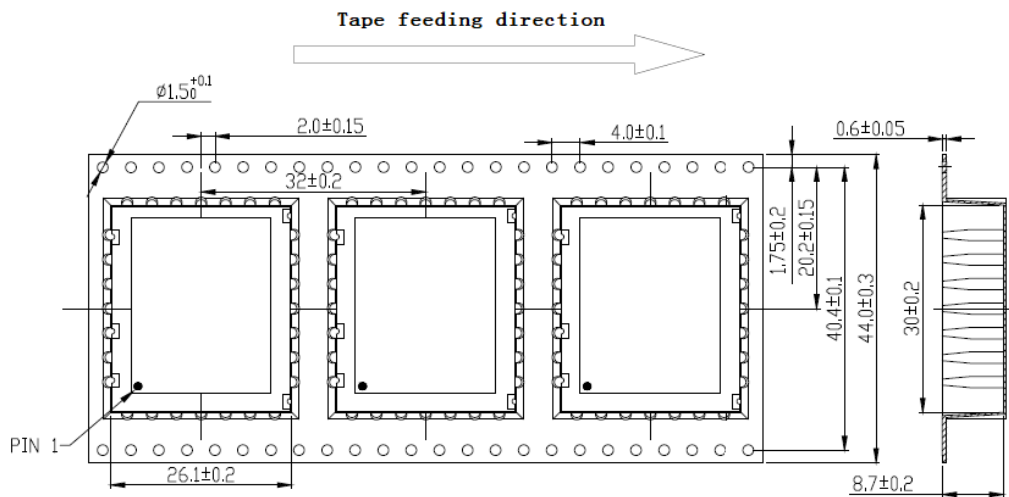
- Note1:** Tolerance ± 0.2 mm without mark
- Note2:** Referential weight 5g
- Note3:** The first two xx representative: week
After two xx representative: year



3. Reflow Soldering Curve (RoHS)



4. Package(mm)



200PCS/Reel