

Travelling Merchant: _____

DATASHEET

Standard: DP9C16M00001

Plot			The Label
Drew	Audited	Approved	Stamp, please! Thanks!
Date: 2023.09.21			

Guangdong Dapu Telecom Technology Co.,Ltd

Building 5, No.24, Industrial East Road, Songshanhu Park, Dongguan, Guangdong, P.R. China

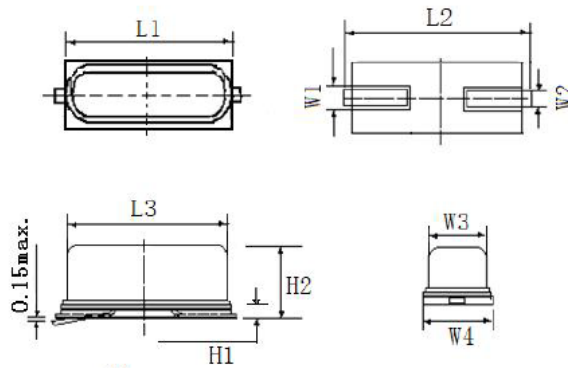
TEL: 0086-0769-88010888 FAX: 0086-0769-81800098



1. Electrical Parameters

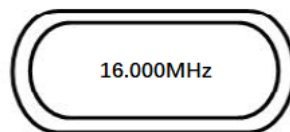
MODEL: DP9C16M00001							
No.	Parameters	SYM.	Electrical Spec.				Notes
			Min.	Typ.	Max.	Units	
1	Nominal Frequency	FL	16.000			MHz	
2	Oscillation Mode	-	Fundamental/AT			-	
3	Load Capacitance	CL	7			pF	
4	Frequency Tolerance	-	-30	-	+30	$\times 10^{-6}$	@25°C+/-2°C
5	Tolerance over the Temperature Range	-	-50	-	+50	$\times 10^{-6}$	TA=25°C
6	Operating Temperature Range	-	-40	~	+85	°C	
7	Storage Temperature	-	-40	~	+105	°C	
8	Aging @25°C	-	-5	-	+5	$\times 10^{-6}$	1st Year
9	Drive Level	DL	-	100	-	μW	
10	Effective Series Resistance	ESR	-	-	40	Ω	
11	Shunt Capacitance C0	C0			7	pF	
12	Insulation Resistance		500			MΩ	at DC 100V
13	SPDB				-3	dB	F0 +/- 500kHz

2. Mechanical Structure(mm)



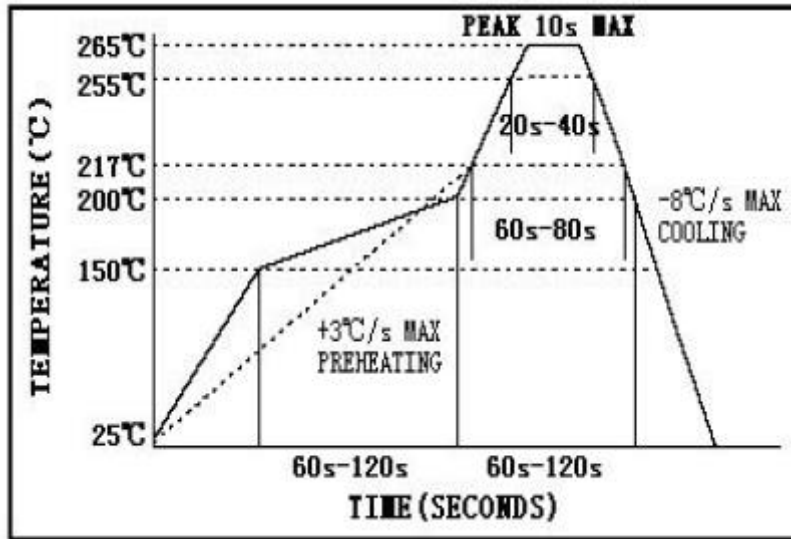
L1	L2	L3	H1	H2
11.4±0.3	12.6±0.3	9.85±0.2	0.55±0.05	3.8±0.3
W1	W2	W3	W4	
0.95±0.2	0.75±0.2	3.5±0.2	4.7±0.2	

Marking:

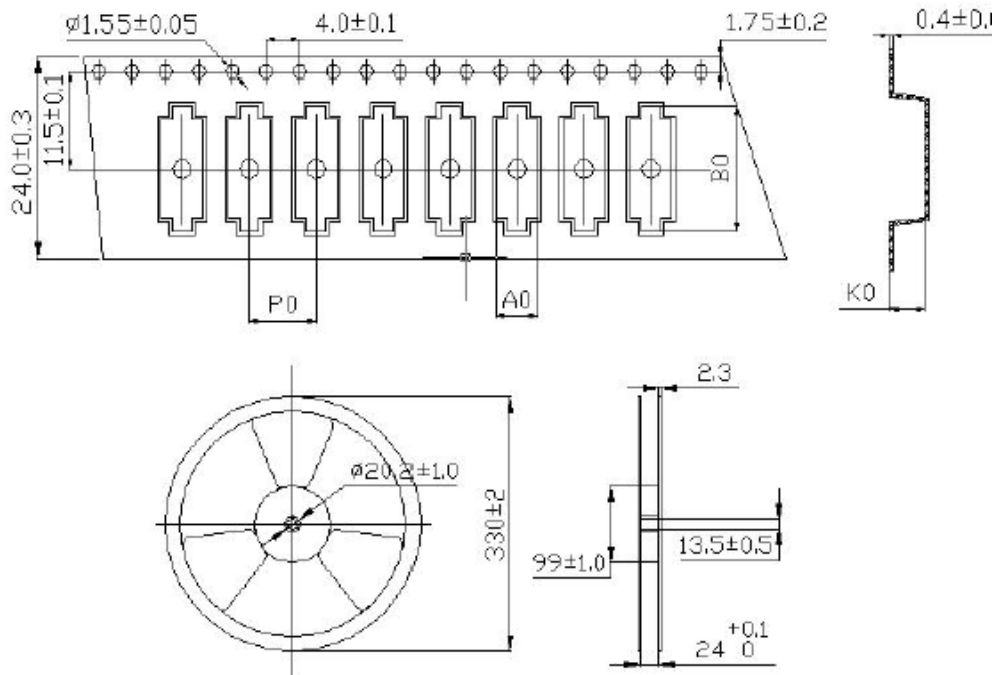




3. Reflow Soldering Curve (RoHS)



4. Package: Tape & Reel (mm)



型号	A ₀	B ₀	P ₀	K ₀
■ SD	5.0±0.1	15.0±0.1	8.0±0.1	4.25±0.2