

Travelling Merchant: _____

DATASHEET

Standard: **T21-S581-26.00MHz**

P/N: _____

Plot			The Label
Drew	Audited	Approved	Stamp, please! Thanks!
Date: 2020.12.14			

Guangdong Dapu Telecom Technology Co.,Ltd

Bldg13-16,.N.Ind.Zone,SSL Industry Park, Dongguan City, Guangdong Province, China

TEL: 0086-0769-88010888 FAX: 0086-0769-81800098



1. Electrical Parameters

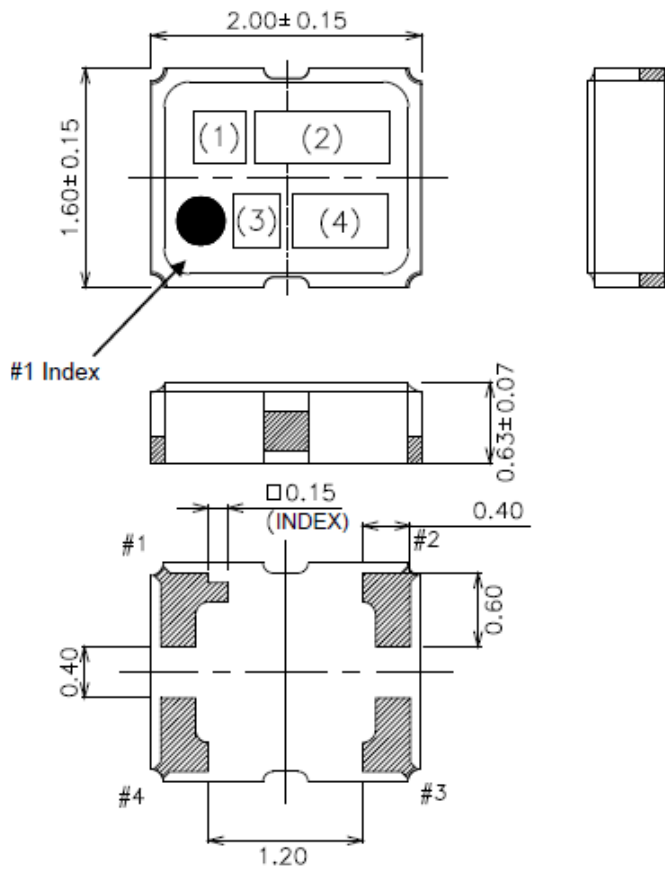
MODEL: T21-S581-26.00MHz						
Item	Description	Parameters			Unit	Test Condition
		Min.	Typ.	Max.		
Output	Frequency	26.00			MHz	
	Output Waveform	Clipped Sine Wave				
	Start up time			2	ms	
	Duty Cycle	40	50	60	%	@50%
	Harmonics			-5	dBc	
	Vp-p	0.8			V	
	Load	10KΩ//10pF				
Frequency Stabilities	Frequency Tolerance	-1.5		+1.5	$\times 10^{-6}$	After 2 times reflow,Ref.to nominal Frequency
	vs. Temperature Range	-0.5		+0.5	$\times 10^{-6}$	T _A varied from -40°C to 85°C, measurement referenced to frequency observed with f _{ref} =(f _{max} +f _{min})/2, V _{cc} =2.85V, O _{load} =10KΩ//10pF, temperature variable speed less than 2°C per minute.
	Frequency Tolerance vs. Supply Voltage	-0.2		+0.2	$\times 10^{-6}$	measurement referenced to frequency observed TA=25°C, V _{cc} varied from 2.7075V to 2.9925V, and O _{Load} =10KΩ//10pF
	Frequency Tolerance vs. Load	-0.2		+0.2	$\times 10^{-6}$	10% load change measurement referenced to frequency observed with T _A =25°C, V _{cc} =2.85V, and O _{Load} =10KΩ//10pF.
	Short-Term Stability Allan Variance			0.2	$\times 10^{-9}$	Temperature stability, no EMI\EMC or other interference, test after power for 1hour ref. to 25°C; 1s.
	Aging Tolerance 1 Year	-1		+1	$\times 10^{-6}$	TA=Room ambient
Power Supply	Operating Current			1.7	mA	@25°C, V _{cc} =2.85V
	Supply Voltage	2.7075	2.85	2.9925	V	
Phase Noise	Phase Noise		-135	-130	dBc/Hz	1KHz



Voltage Control Characteristics	Frequency Tuning Range	-4		-8	$\times 10^{-6}$	$V_c=0.4V$. measurement referenced to $V_c=1.4V$.
		-1.5		+1.5	$\times 10^{-6}$	$V_c=1.4V$. measurement referenced to exactly 26.00MHz.
		+4		+8	$\times 10^{-6}$	$V_c=2.4V$. measurement referenced to $V_c=1.4V$.
	Linearity			10	%	
	Slope	Positive				
	Input Impedance	500			K Ω	
Environmental Conditions	Operable Temperature	-40		+85	$^{\circ}C$	
	Storage Temperature	-40		+105	$^{\circ}C$	
	ESD Level	Human Body Model,class2: 2000V to 4000V; ANSI/ESDA/JEDEC JS-001-2010.				
		Machine Model, class B: 200V to 400V; JEDEC JESD22-A115C.				
	Moisture Sensitivity Level	Level 2.				
	Vibration	Test Condition: 0.75mm ;acceleration:10g;10Hz~2000Hz, one cycle per 30 min, test 2 hour. (3 times for each 3 directions X ,Y , Z) .IEC 68-2-06 Test Fc.				
Shock	100g; 6ms; half sine wave (3 times for each 3 directions X ,Y , Z),IEC 68-2-27 Test Ea/Severity 50A.					
Full Package Storage	Relative humidity (%)	20% ~70%				
	Temperature ($^{\circ}C$)	-10~35 $^{\circ}C$				



2. Mechanical Structure(mm)



Pin Connections

Pin No.	Connection
#1	Vcont
#2	GND
#3	Output
#4	Vcc

Marking

(1) Model code	AP
(2) Frequency	26.0 (MHz, 3digits)
(3) Logo	D
(4) Date code	Year (1digit) +Week (2digits) e.g.2018/1/1 → 801

unit: mm

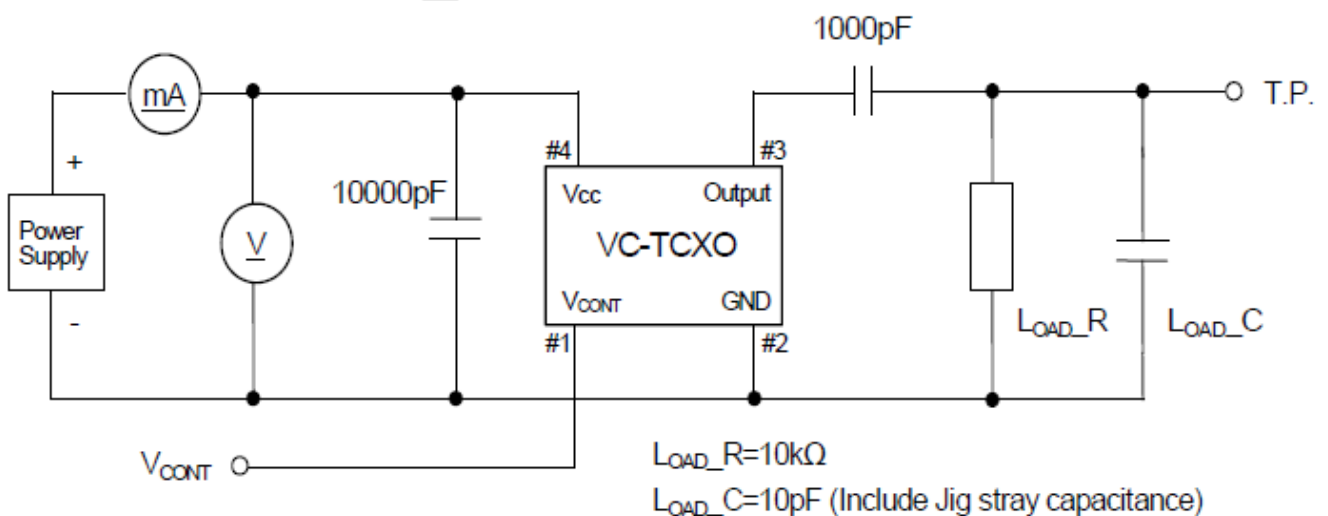
Dimensional Tolerance: ±0.1

(Unless otherwise noted)

Note1: Tolerance ±0.1mm without mark

Note2: Referential weight 0.008g

3. Test Circuit





4. Reflow Soldering Curve (RoHS)



5. Package: Tape & Reel (mm)

