

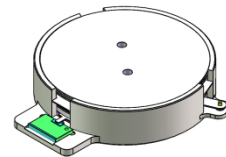


DP2130S

ENG PART:DP-47.4IM-385T405-CCW

385MHz to 405MHz Single-Junction Surface Mount Isolator

REV.	DESCRIPTION	REVISOR	DATE	APPROVED
A	Creating datasheet	ZZ.Zhu	2022/8/8	Nick

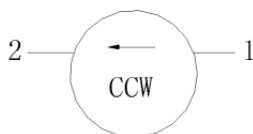


Applications:

- Wireless Infrastructure
- Power Amplifier

Features:

- Operating frequency range: 385MHz to405MHz
- Operating temperature range: -40°C to +105°C
- Storage temperature range: -55°C to +155°C
- Small surface-mount package delivered on T&R
- BeOfree&RoHS compliant



Block Diagram



Electrical Specifications:

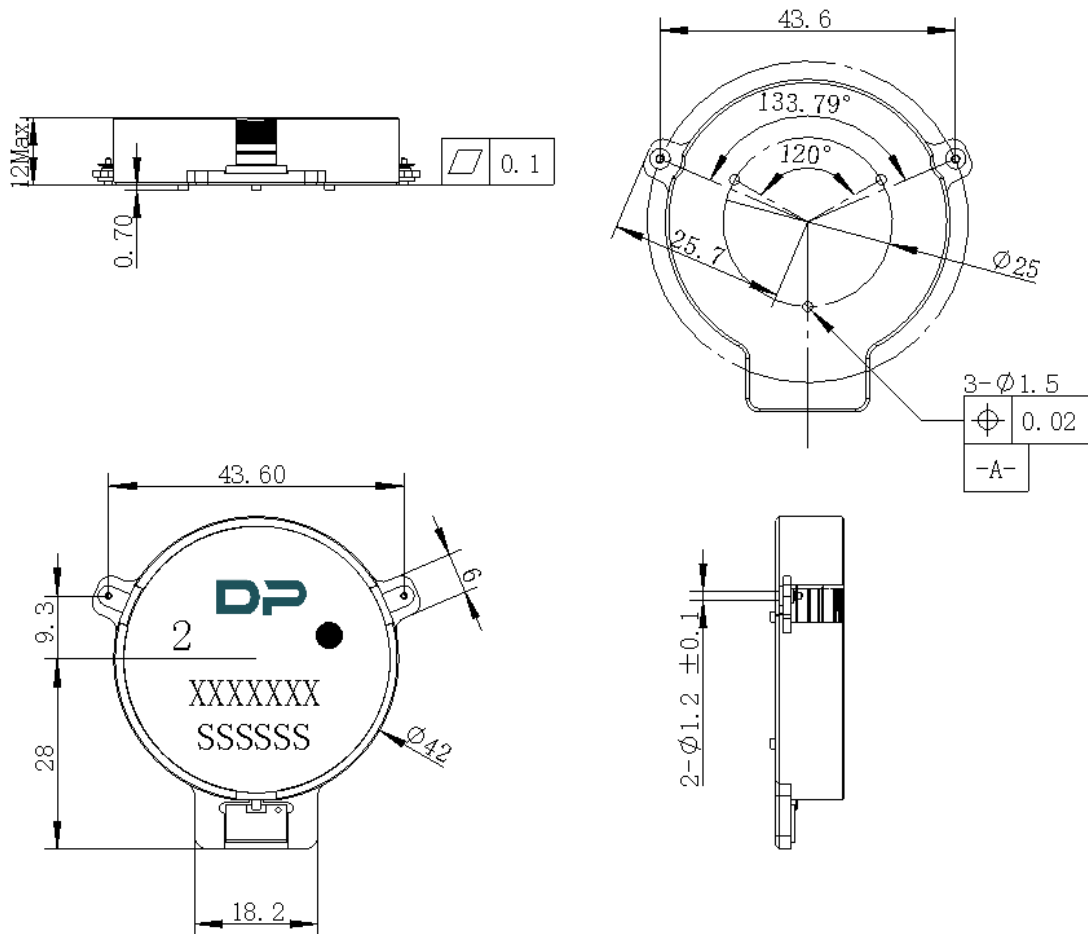
ITEM	SPECIFICATION	
Frequency	385~405	MHz
Extend frequency	-	MHz
Direction	CCW	
Impedance	Typ: 50	Ω
Insertion Loss (Max.)	0.25	dB
Insertion Loss Ripple (P1-P2),Max	0.1(pk to pk)	dB
Isolation (Min)	23	dB
Return Loss P1&P2(Min.)	24.3	dB
3rd IMD (Max.)	-70@2x63W,CW Tones Spacing 5MHz at 390-400MHz DL band	dBc
Harmonic product generation, Maximum(63W)	-59	dBc
Power FWD/REV/PEAK	126/126/630	W

Notes:

1. Exposure to maximum rating conditions for extended periods may reduce device reliability. There is no damage to device with only one parameter set at the limit and all other parameters set at or below their nominal value. Exceeding any of the limits listed here may result in permanent damage to the device.
2. Performance is guaranteed under the conditions listed in this table and over the operating temperature range.
3. Performance will not degrade by > 10% (Insertion loss > 20%) with an operating temperature of up to 130 °C.



Mechanical Specifications:



Notes:

1. The housing and pins are silver-plated.
2. Tolerance $\pm 0.2\text{mm}$ unless otherwise specified.
3. Co-planarity Specification: 0.1mm maximum.
4. PartNumber, Lot Code, and Port Designation are printed on the top side of device.
5. The **XXXXXXX** on the label represents the part number
6. The **SSSSSS** on the label represents the serial number
7. The black dot on the label represents the input port