

Customer Code:

# DATASHEET

DAPU P/N: CM22B-G328-10.00MHz-F

Customer P/N: \_\_\_\_\_

DAPU			Customer Approval
Drew	Audited	Approved	Stamp, please! Thanks!
Date: 2024.12.23			

**Guangdong Dapu Telecom Technology Co., Ltd**

Building 5, No.24, Industrial East Road, Songshanhu Park, Dongguan, Guangdong, P.R. China

TEL: 0086-0769-88010888 FAX: 0086-0769-81800098





## Table of Content

1. GENERAL DESCRIPTION .....	4
2. PIN DEFINITION .....	5
3. ELECTRICAL PARAMETERS.....	5
4. PERFORMANCE.....	6
5. UART .....	7
6. CONTROL PINS.....	7
7. ENVIRONMENTAL CONDITIONS .....	8
8. TYPICAL APPLICATION .....	9
9. MECHANICAL STRUCTURE (MM) .....	10
10. WAVE SOLDERING CURVE(ROHS).....	11
11. PACKAGE (MM) .....	11



## 1. General Description

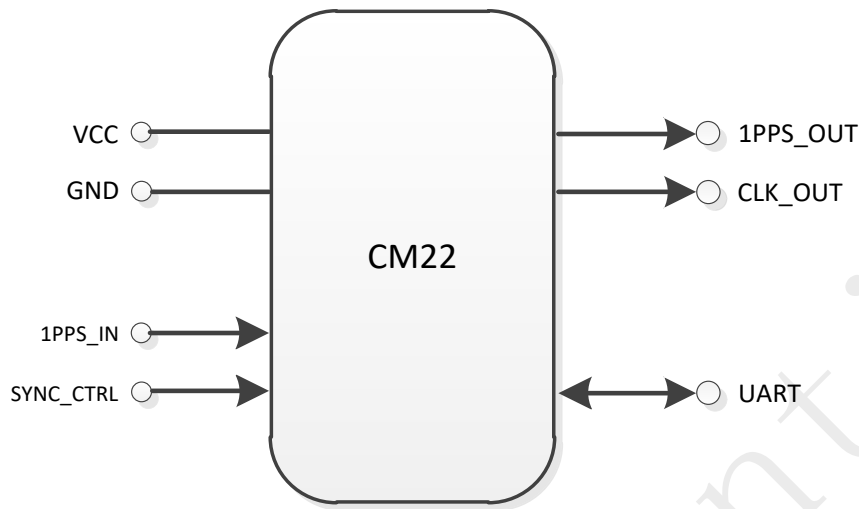


Figure 1 CM22

Figure 1 is the basic diagram of CM22. CM22 is a high-performance clock module designed to provide precise frequency and phase synchronizing with external time reference for telecom and other applications.

### Key features:

- **Reference:** 1PPS and TOD from GNSS receiver, IEEE1588 etc.;
- **Temperature Stability:**  $\pm 0.3$ ppb;
- **Holdover:**  $\pm 1\mu\text{s}/\text{hour}$  @  $\Delta T = \pm 5^\circ\text{C}$  after power up 0.5 hour, and lock 1 hours;
- **Clocks Input and Output:** 1\*1PPS input, 1\*1PPS output and 1\*10MHz output;
- **Serial Interface:** 1\*UART for management and ToD information;
- **Mechanical Size:** 20.2mm\*20.2mm\*13.0mm.



## 2. Pin Definition

**Table 1 Pin Definition**

Pin group	Pin#	Pin Name	Type	Description
Supply Voltage	2	VCC	PWR	Power Supply
	3	GND	GND	Ground
Control and Status Pins	1	SYNC_CTRL	I	Synchronizing Procedure Control
UART	5	RXD	I	Asynchronous Serial Data Output/Input
	6	TXD	O	
Input Clock	4	1PPS_IN	I	1PPS Reference Input.
Output Clocks	7	1PPS_OUT	O	1PPSOutput
	8	CLK_OUT	O	10.00MHz Output

## 3. Electrical Parameters

**Table 2 Electrical Parameters**

Parameter	Symbol	Minimum	Typical	Maximum	Units
<b>LVC MOS Input</b>					
High Level Input Voltage	$V_{IH}$	2.0			V
Low Level Input Voltage	$V_{IL}$			0.8	V
<b>LVC MOS Output</b>					
High Level Output Voltage	$V_{OH}$	2.4			V
Low Level Output Voltage	$V_{OL}$			0.4	V



## 4. Performance

**Table 3 Performance**

Item	Parameter	Minimum	Typical	Maximum	Units	Test Condition	
Clock Output	Waveform	LVCMOS					
	Nominal Frequency	10.00			MHz	Synchronizing with 1PPS reference.	
	Duty Cycle	45	50	55	%	Load 15pF	
	Frequency vs. Temperature	-0.3		+0.3	$\times 10^{-9}$	V <sub>cc</sub> =3.3V; O <sub>load</sub> =15pF; T <sub>A</sub> varies from -40°C to 85°C, temperature slope less than 2°C per minute.	
	Accuracy	-5		+5	$\times 10^{-12}$	24 hours average value when locked to 1PPS.	
	Short-term Stability	-0.01		+0.01	$\times 10^{-9}$	V <sub>cc</sub> =3.3V; T <sub>A</sub> =25°C; 1s; no EMI/EMC or other interference.	
	Daily Aging	-0.5		+0.5	$\times 10^{-9}$	V <sub>cc</sub> =3.3V; T <sub>A</sub> =25°C.	
	Yearly Aging	-0.03		+0.03	$\times 10^{-6}$		
	Phase Noise			-110	-100	dBc/Hz	10Hz
				-143	-138		100Hz
			-155	-150	1KHz		
			-155	-150	10KHz		
			-155	-150	100KHz		
			-160	-155	1MHz		
1 PPS Input	Waveform	LVCMOS					
	Pulse Width	0.001	100	500	ms		
1 PPS Output	Waveform	LVCMOS					
	Pulse Width		100		ms		
	Accuracy	-50		+50	ns	Synchronizing with 1PPS reference.	
	1 hour holdover	-1		+1	μs	ΔT=±5°C, 1 hour holdover after power up 0.5 hour, and lock 1hours; temperature slope less than 2°C per minute.	
Supply Voltage	Supply Voltage	3.135	3.3	3.465	V		



Warm Up Current			750	mA	
Steady Current			350	mA	@25°C
AC Ripple			50	mVpk-pk	10Hz to 1MHz

## 5. UART

UART interface is used for management, which has a fixed baud rate (115200) using 1 stop bit and no parity. It is a LVTTTL-compatible port and needs an external translator to work with other signal types (such as RS-232C or RS-485).

### a) TOD input sentence format

\$GPZDA, <1>,<2>,<3>,<4>,<5>,<6>\*HH<CR><LF>

Parameter Number	Parameter Name	Format	Description
<1>	UTC time	hhmmss.ss	Hour,minute,second,9 characters
<2>	day	dd	Range: 01~31, 2 characters
<3>	month	mm	Range: 01~12, 2 characters
<4>	year	yyyy	4 characters
<5>	NA	00	Filled with 00
<6>	NA	00	Filled with 00

Note: All sentences begin with "\$" , end with<CR><LF>  
 \* HH represents the bitwise XOR result of all characters between "\$" and "\*"
 <CR><LF>: Carriage Return and Line Feed.  
 Example: \$GPZDA,010516.00,26,11,2008,00,00\*6B

### a) b) TOD output sentence format

\$DPZDA, <1>,<2>,<3>,<4>,<5>,<6>,<7>,<8>,<9>,<10>,<11>,<12>,<13>,<14>\*HH<CR><LF>

Parameter Number	Parameter Name	Format	Description
<1>	UTCtime	hhmmss	Hour,minute,second, 6 characters
<2>	Day	dd	Range: 01~31, 2 characters
<3>	Month	mm	Range: 01~12, 2 characters
<4>	Year	yyyy	4 characters
<5>	System state	xx	00-Freerun, 01-fast track, 10-lock, 11-holdover
<6>	Lock indicator	x	0-unlock, 1-locked
<7>	temperature	xxx	Unit: 0.1°C。 e.g.234means23.4°C
<8>	Input identifier	x	1-1PPS Input, 0-no1PPS Input.
<9>	GPZDA input identifier	x	1 means GPZDA Input, 0 means no GPZDA Input.
<10>	reserve	0	--
<11>	T1	xxxxx	Test parameter1: range



			+8192~-8192, 5 parameters
<12>	T2	xxxxxxxxxx	Test parameter2: range 65535.0000~00000.0000, 10 parameters
<13>	T3	xxxxxxxxxx	Test parameter3: 10 parameters
<14>	reserve	xxxxxxx	7 characters
<p>Note: All sentences begin with "\$" , end with&lt;CR&gt;&lt;LF&gt;  * HH represents the bitwise XOR result of all characters between "\$" and "*"  &lt;CR&gt;&lt;LF&gt;: Carriage Return and Line Feed.  Example:  \$DPZDA,010517,26,11,2008,10,1,315,1,1,0,-0000,31945.0000,-0000.1146,0000000*78</p>			

Control Pins

CM22 is a clock module which synchronizes the local clock to reference such as 1 PPS retrieving from GPS. CM22 will work normally performing synchronizing algorithm when the SYNC\_CTRL pin is driven high. It also could be force to work in free-run or holdover status when the SYNC\_CTRL pin is driven low.

6. Environmental Conditions

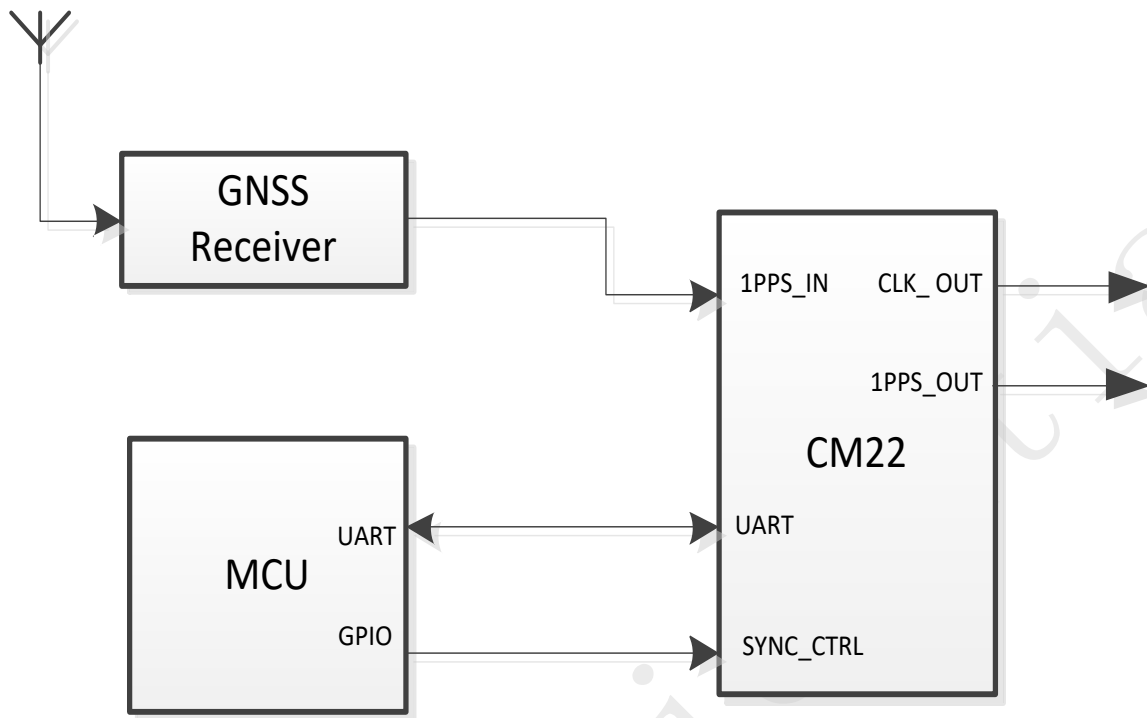
Table 5 Environmental Conditions

Parameter	Conditions	
Operating Temperature	-40°C to 85°C	
Storage Temperature	-55°C to 105°C	
Storage Humidity	30%~80%	
ESD Level	Human Body Model, class2: 2000V to 4000V; ANSI/ESDA/JEDEC JS-001-2010.	
	Machine Model, class B: 200V to 400V; JEDEC JESD22-A115C.	
Moisture Sensitivity Level	Not humidity sensitive.	
Vibration	Test Condition: 0.75mm ;acceleration:10g;10Hz~500Hz, one cycle per 30 min, test 2 hour. (3 times for each 3 directions X ,Y , Z), IEC 68-2-06 Test Fc.	
Shock	50g; 11ms; half sine wave (3 times for each 3 directions X,Y,Z),IEC 68-2-27 Test Ea/Severity 50A.	
Relative Humidity	20%~70%	Full Package Storage
Temperature	-10°C~35°C	





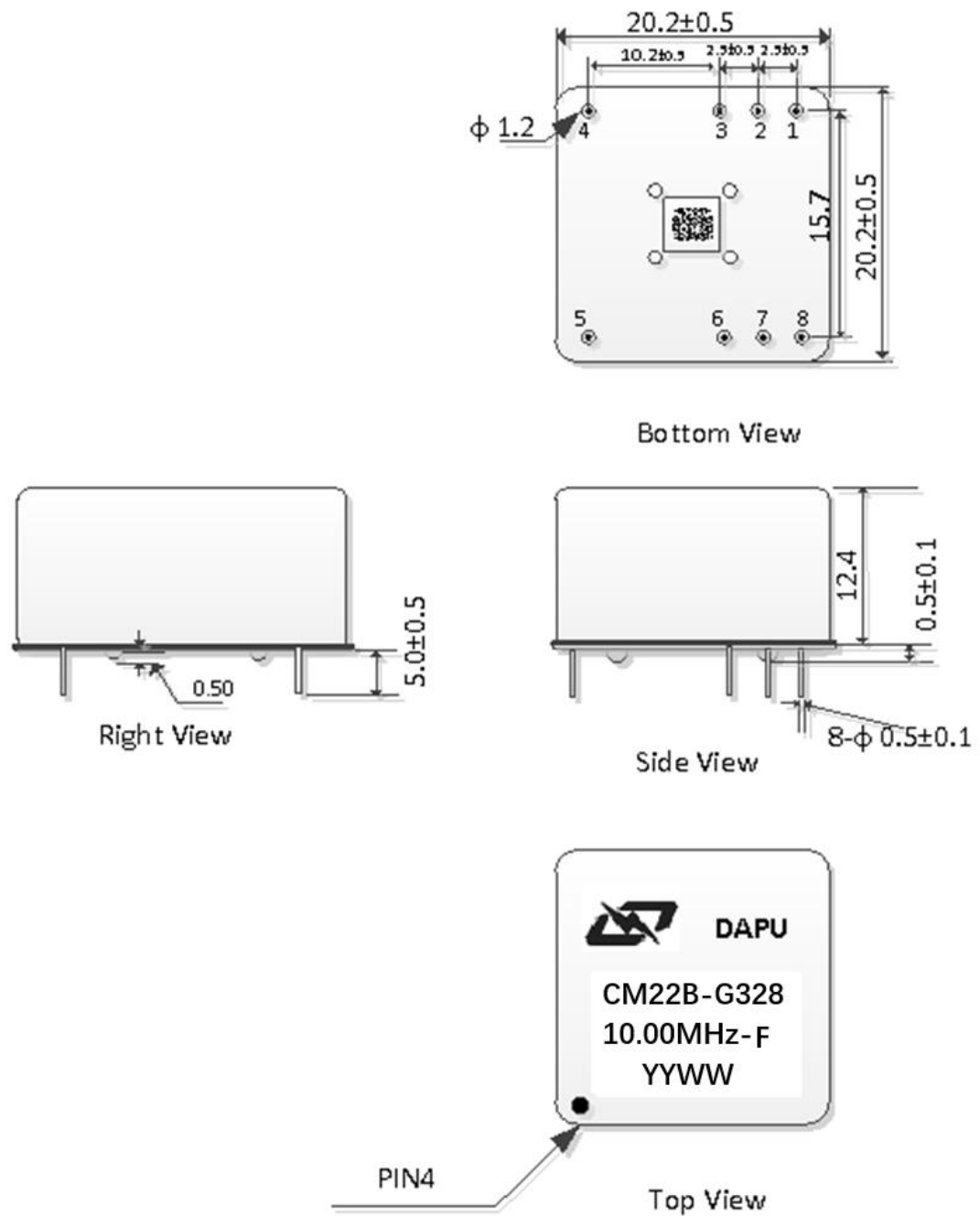
## 7. Typical Application



GNSS Receiver offers 1PPS signal to CM22.  
The MCU monitors the work state of CM22.



## 8. Mechanical Structure (mm)



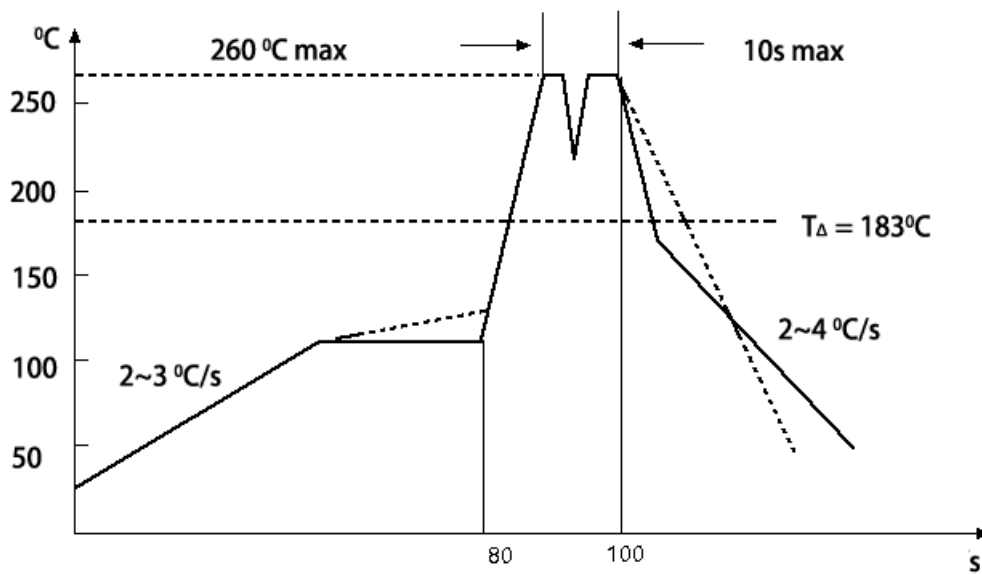
**Note1:** Tolerance  $\pm 0.3$ mm without mark.

**Note2:** YY represents Year.

WW represents Week.



### 9. Wave Soldering Curve(RoHS)



### 10.Package (mm)

