

**Customer Code:** \_\_\_\_\_

# DATASHEET

**DAPU P/N:** T3225G-B589D0-27.456MHz-N0

DAPU			Customer Approval
Drew	Audited	Approved	
Jieshu ZHENG	Jianhua LIN	Gangtao FENG	
Date:	2024/4/26		
			Stamp, please! Thanks!

## Guangdong Dapu Telecom Technology Co.,Ltd

Bldg 5, SSL Modern Enterprise Accelerator Zone, Dongguan City, Guangdong Province, PRC China  
TEL: 0086-0769-88010888 FAX: 0086-0769-81800098



### Table of amendment

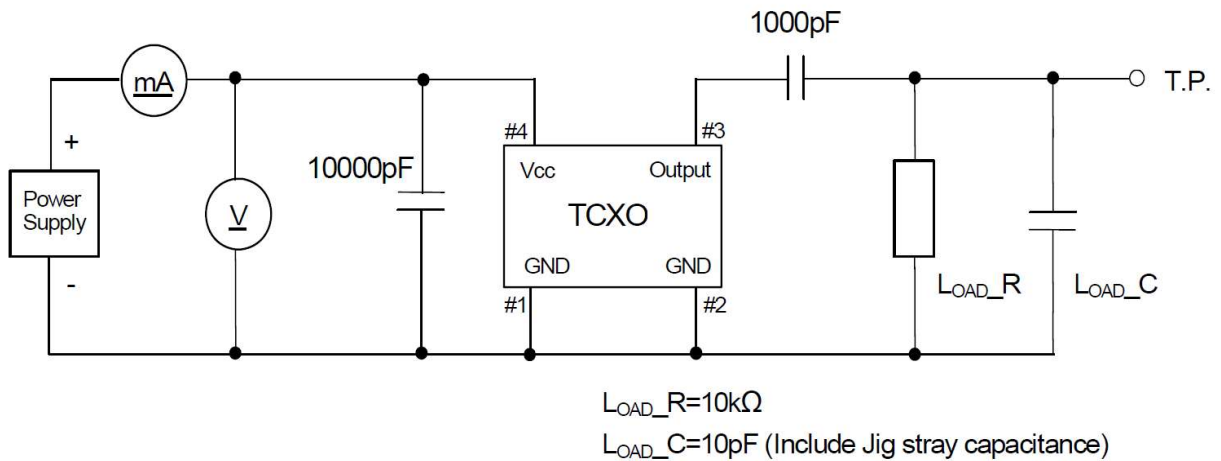
Version	Revision contents	Prepared by	Revised date
1.0	The first issued	Jieshu ZHENG	2024/4/26

## 1、Electrical Parameter

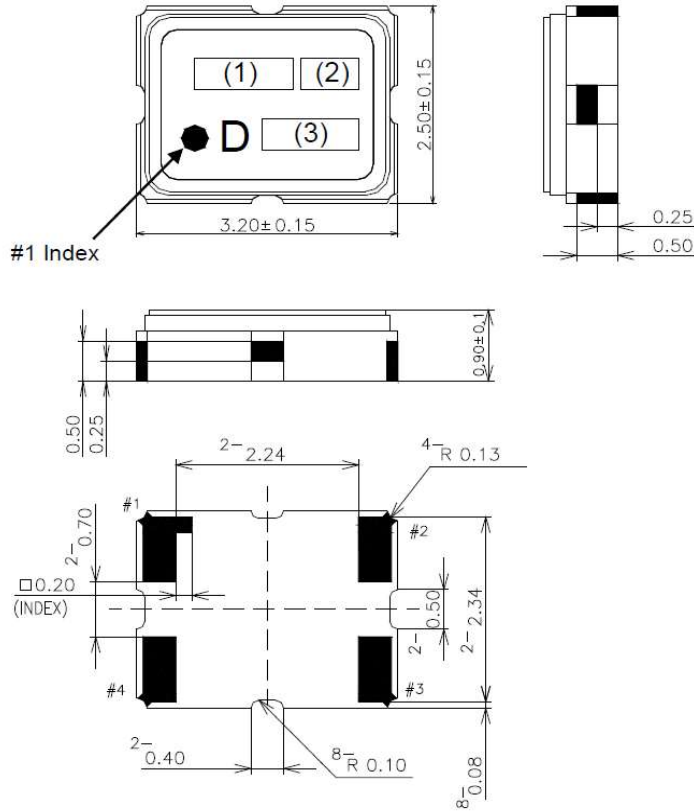
MODEL:		T3225G-B589D0-27.456MHz-N0				
No.	Description	Parameters			Units	Test Condition
		Min.	Typ.	Max.		
Output	Frequency	27.456			MHz	
	Output Waveform	Clipped Sine Wave				
	Vp-p	1	1.3		V	
	Harmonics			-5	dBc	
	Symmetry	40/60	-	60/40	%	GND level (Dc cut)
	Load	10KΩ//10pF				
Frequency Stabilities	Frequency Tolerance	-1		1	$\times 10^{-6}$	@25±2°C, 2H, after 2 times reflow soldering, base on nominal frequency.
	vs. Temperature	-0.5		0.5	$\times 10^{-6}$	T <sub>A</sub> varied from -40°C to 85°C, measurement referenced to frequency observed with T <sub>A</sub> =25°C, V <sub>CC</sub> =2.8V, O <sub>load</sub> =10KΩ//10pF, temperature variable speed less than 2°C per minute.
	vs. Supply Voltage	-0.2		0.2	$\times 10^{-6}$	measurement referenced to frequency observed T <sub>A</sub> =25°C, V <sub>cc</sub> =2.8±5%, and O <sub>Load</sub> =10KΩ//10pF.
	vs. Load	-0.2		0.2	$\times 10^{-6}$	10% load change measurement referenced to frequency observed with T <sub>A</sub> =25°C, V <sub>cc</sub> =2.8V, and O <sub>Load</sub> =10KΩ//10pF.
	Aging Tolerance 1 Year	-1		1	$\times 10^{-6}$	T <sub>A</sub> =25°C, V <sub>cc</sub> =2.8V, and after 1h of operation.
Power Supply	Current consumption			2	mA	@25°C, V <sub>cc</sub> =2.8V, O <sub>Load</sub> =10KΩ//10pF.
	Supply Voltage	2.660	2.800	2.940	V	
SSB Phase Noise	Phase Noise@25±2°C		-65		dBc/Hz	1Hz
			-93			10Hz
			-117			100Hz
			-137			1KHz
			-149			10KHz
			-151			100KHz
			-151			1MHz

Environmental Conditions	Operable Temperature	-40		85	°C	
	Storage Temperature	-40		85	°C	
	ESD Level	Human Body Model, class 2: 2000V to 4000V; ANSI/ESDA/JEDEC JS-001-2010.				
		Machine Model, class B: 200V to 400V; JEDEC JESD22-A115C.				
	Moisture Sensitivity Level	Level 1.				
	Vibration	Test Condition: 0.75mm ;acceleration:10g;10Hz~2000Hz, one cycle per 30 min, test 2 hour. (3 times for each 3 directions X ,Y, Z) .IEC 68-2-06 Test Fc.				
Shock	100g; 6ms; half sine wave (3 times for each 3 direction s X ,Y, Z ), IEC 68-2-27 Test Ea/Severity 50A.					
Full Package Storage	Relative humidity (%)	20%~70%				
	Load	10KΩ//10pF				

## 2、 Test Circuit



### 3、Mechanical Structure(mm)



#### Pin Connections

Pin No.	Connection
#1	GND
#2	GND
#3	Output
#4	V <sub>CC</sub>

#### Marking

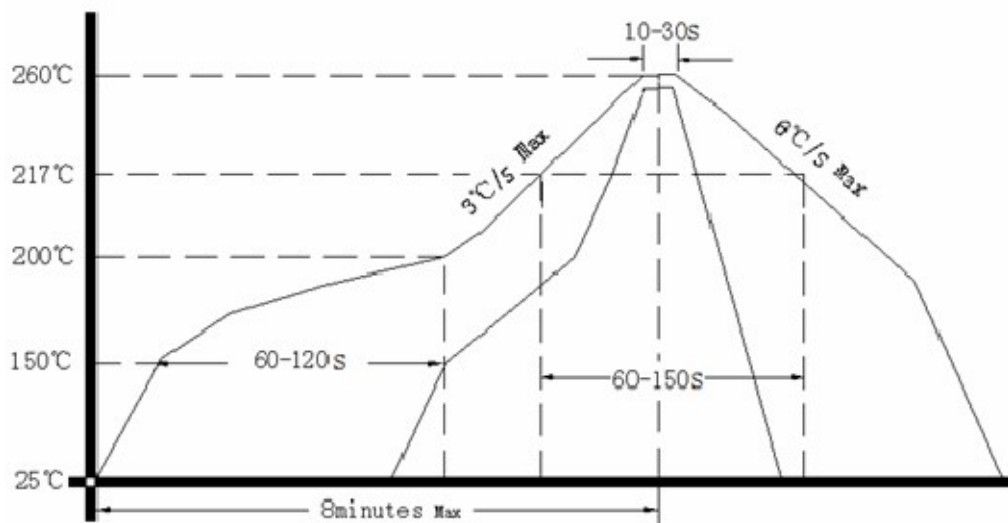
(1) Frequency	27.45 (MHz, 4digits)
(2) Model code	BN
(3) Date code	Year (1digit) +Week (2digits) e.g.2017/1/1 → 701

unit: mm

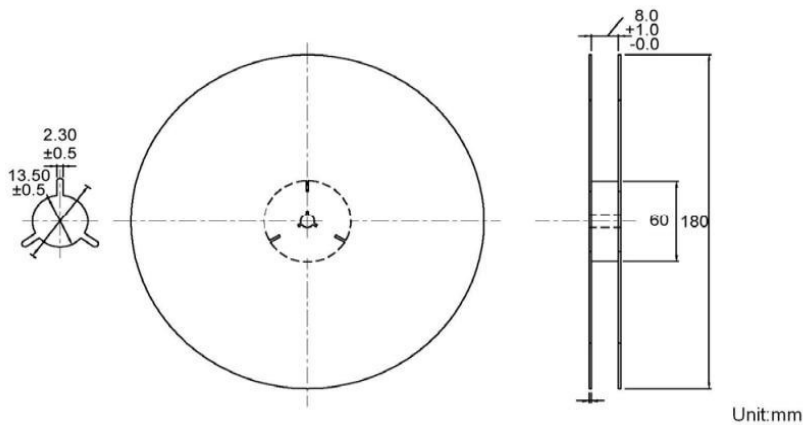
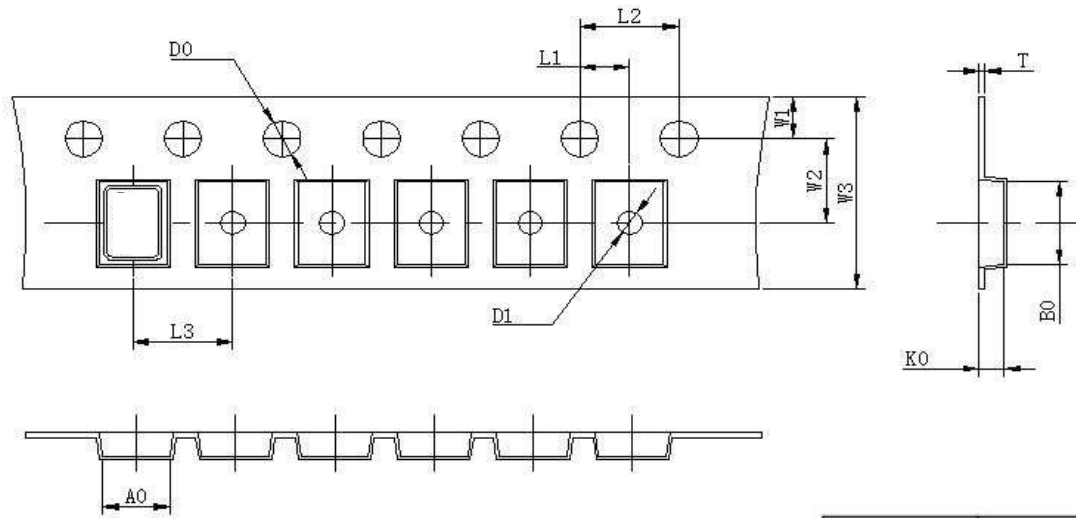
Dimensional Tolerance:  $\pm 0.15$

(Unless otherwise noted)

### 4、Reflow Soldering Curve (RoHS)



**5、 Package: Tape & Reel (mm)**



Unit:mm

L1	2.00 ± 0.1
L2	4.00 ± 0.1
L3	4.00 ± 0.1
D0	1.55 ± 0.05
D1	1.20 ± 0.5
W1	1.75 ± 0.1
W2	3.50 ± 0.1
W3	8.00 ± 0.2
A0	2.7 ± 0.1
B0	3.4 ± 0.1
K0	1.40 ± 0.1
T	0.25 ± 0.05