

**Customer Code:** \_\_\_\_\_

# DATASHEET

**DAPU P/N :** T2016G-B5700K-26.00MHz-D0

DAPU			Customer Approval
Drew	Audited	Approved	Stamp, please! Thanks!
Jieshu ZHENG	Jianhua LIN	Gangtao FENG	
Date :	2024/8/27		

## Guangdong Dapu Telecom Technology Co.,Ltd

Bldg 5, SSL Modern Enterprise Accelerator Zone, Dongguan City, Guangdong Province, PRC China  
TEL : 0086-0769-88010888      FAX : 0086-0769-81800098

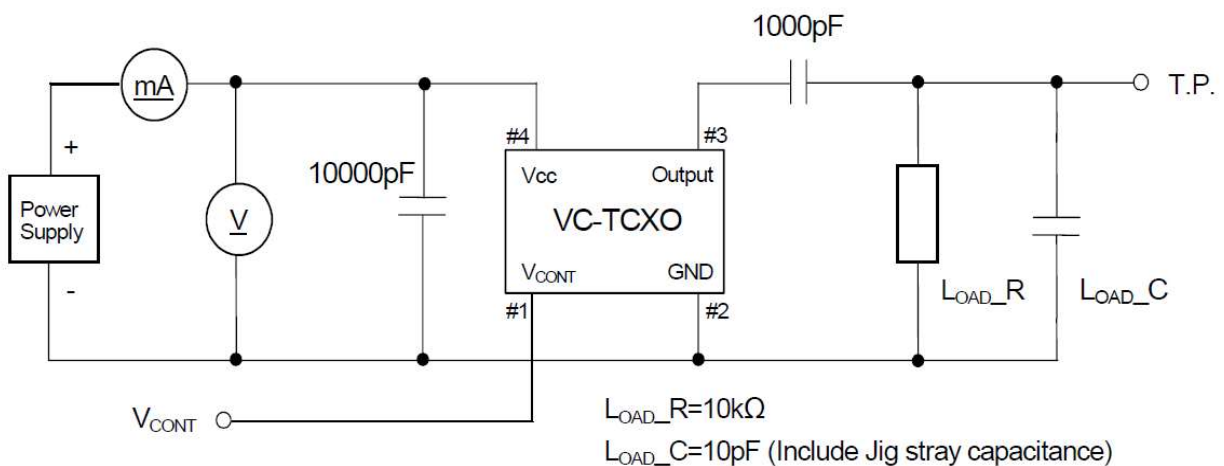


## 1、Electrical Parameter

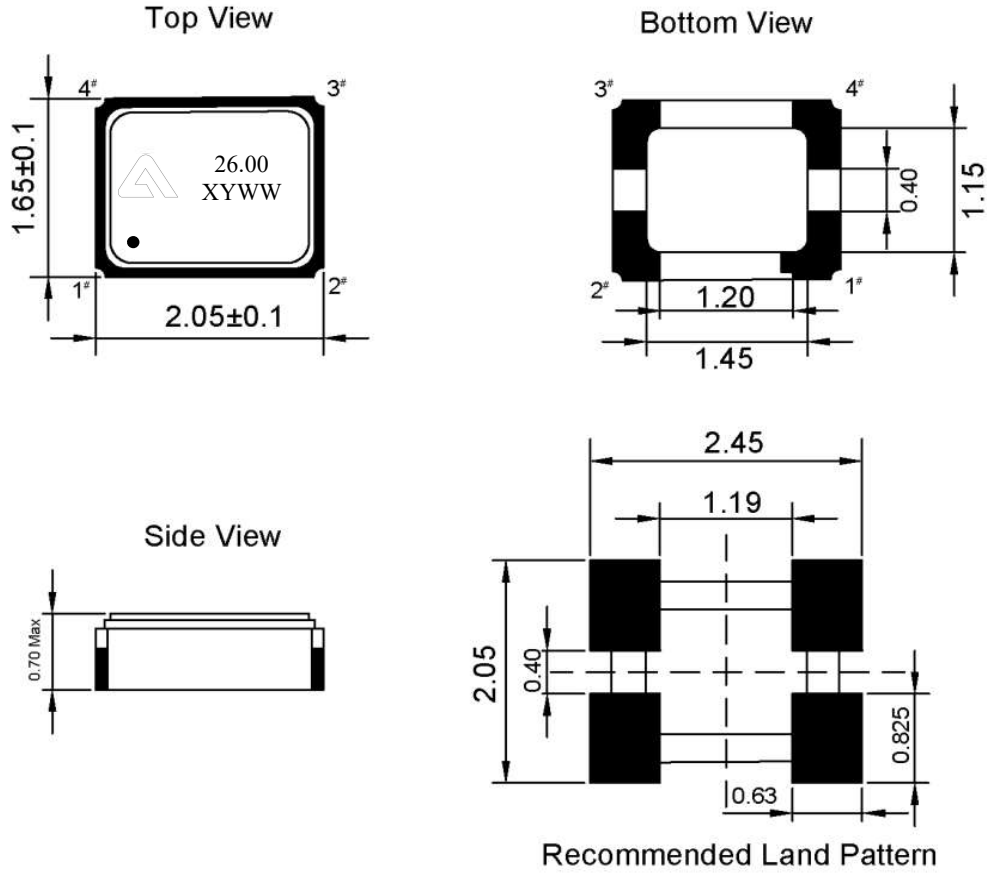
MODEL :		T2016G-B5700K-26.00MHz-D0				
No.	Description	Parameters			Units	Test Condition
		Min.	Typ.	Max.		
Output	Frequency	26.000			MHz	
	Output Waveform	Clipped Sine Wave				
	Vp-p	0.8			V	
	Spurious Suppression			-8	dBc	
	Load	10KΩ//10pF				
Frequency Stabilities	Frequency Tolerance	-2		2	$\times 10^{-6}$	@25±2°C, 2H, after 2 times reflow soldering, base on nominal frequency.
	vs. Temperature	-0.5		0.5	$\times 10^{-6}$	-40°C to 85°C, ( Reference to +25°C )
	vs. Supply Voltage	-0.1		0.1	$\times 10^{-6}$	measurement referenced to frequency observed T <sub>A</sub> =25°C, V <sub>cc</sub> =1.8V±5%, and O <sub>Load</sub> =10KΩ//10pF.
	vs. Load	-0.1		0.1	$\times 10^{-6}$	10% load change measurement referenced to frequency observed with T <sub>A</sub> =25°C, V <sub>cc</sub> =1.8V, and O <sub>Load</sub> =10KΩ//10pF.
	Slope	-0.1		0.1	ppm/°C	T <sub>A</sub> varied from -40°C to 85°C
	Aging Tolerance 1 Year	-1		1	$\times 10^{-6}$	T <sub>A</sub> =25°C, V <sub>cc</sub> =1.8V, and after 1h of operation.
Power Supply	Current consumption			2	mA	@25°C, V <sub>cc</sub> =1.8V, O <sub>Load</sub> =10KΩ//10pF.
	Start up Time			2	ms	More than 90% of final output voltage
	Supply Voltage	1.71	1.8	1.89	V	
SSB Phase Noise	-			-50	dBc/Hz	1Hz
				-85		10Hz
				-113		100Hz
				-135		1KHz
				-149		10KHz
				-152		100KHz
				-153		1MHz

Voltage Control	Frequency turning range			-5	$\times 10^{-6}$	Vc=0.3V. measurement referenced to Vc=0.9V
		-2		2	$\times 10^{-6}$	Vc=0.9V. measurement referenced to Exactly 26.00MHz
		5			$\times 10^{-6}$	Vc=1.5V. measurement referenced to Vc=0.9V
Environmental Conditions	Operable Temperature	-40		85	°C	
	Storage Temperature	-55		105	°C	
	ESD Level	Human Body Model, class 2: 2000V to 4000V; ANSI/ESDA/JEDEC JS-001-2010.				
		Machine Model, class B: 200V to 400V; JEDEC JESD22-A115C.				
	Moisture Sensitivity Level	Level 3.				
	Vibration	Test Condition: 0.75mm ;acceleration:10g;10Hz~2000Hz, one cycle per 30 min, test 2 hour. (3 times for each 3 directions X ,Y, Z) .IEC 68-2-06 Test Fc.				
Shock	100g ; 6ms ; half sine wave (3 times for each 3 direction s X ,Y, Z ), IEC 68-2-27 Test Ea/Severity 50A.					
Full Package Storage	Relative humidity (%)	20%~70%				
	Load	10KΩ//10pF				

## 2、 Test Circuit



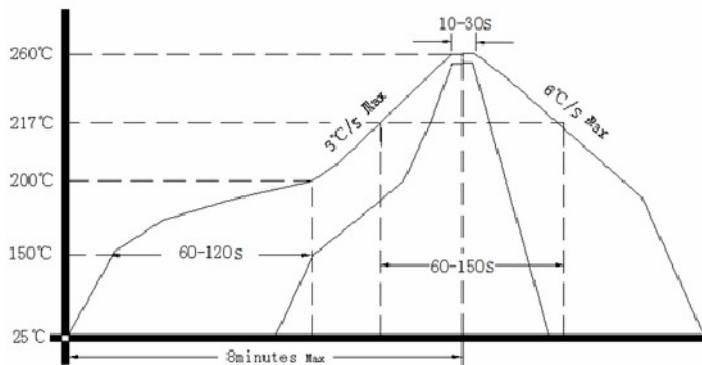
### 3、 Mechanical Structure(mm)



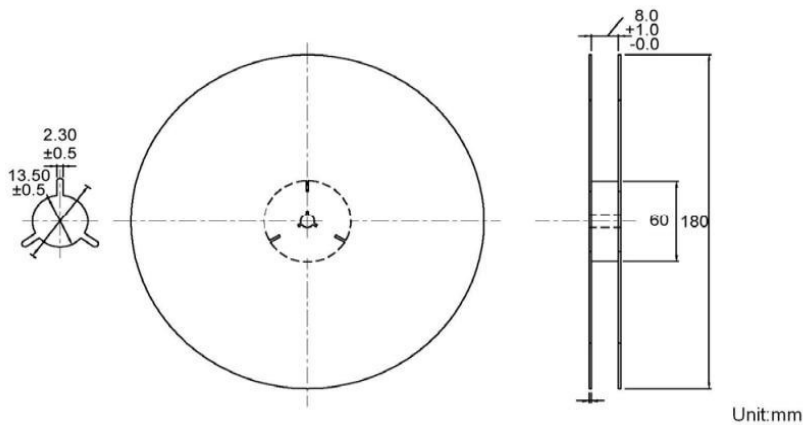
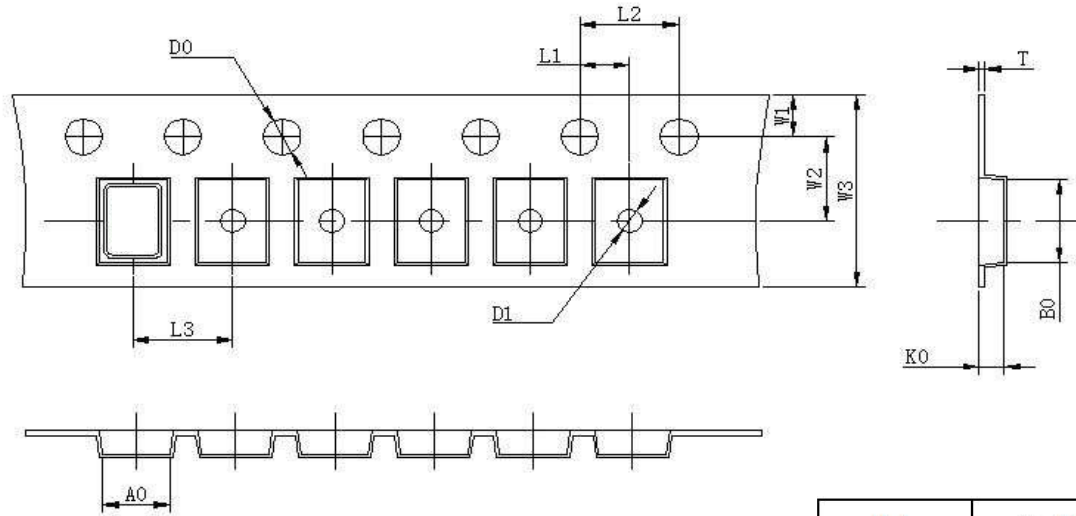
Note: X representative internal code ,Y representative year, WW representative week

PIN NAME	CONNECTION
PIN1	VC
PIN2	GND
PIN3	OUTPUT
PIN4	VCC

### 4、 Reflow Soldering Curve (RoHS)



**5、 Package: Tape & Reel (mm)**



Unit:mm

L1	$2.00 \pm 0.1$
L2	$4.00 \pm 0.1$
L3	$4.00 \pm 0.1$
D0	$1.50 \pm 0.1$
D1	$0.6 \pm 0.1$
W0	$8.50 \pm 0.2$
W1	$1.75 \pm 0.1$
W2	$3.50 \pm 0.1$
W3	$8.00 \pm 0.1$
A0	$1.85 \pm 0.1$
B0	$2.25 \pm 0.1$
K0	$0.65 \pm 0.1$
T	$0.25 \pm 0.05$