

Customer Code: _____

DATASHEET

DAPU P/N: DPX2150M000012A001

DAPU			Customer Approval
Drew	Audited	Approved	
Jieshu ZHENG	Jianhua LIN	Gangtao FENG	
Date: 2024/9/24			
			Stamp, please! Thanks!

Guangdong Dapu Telecom Technology Co.,Ltd

Bldg 5, SSL Modern Enterprise Accelerator Zone, Dongguan City, Guangdong Province, PRC China
TEL: 0086-0769-88010888 FAX: 0086-0769-81800098



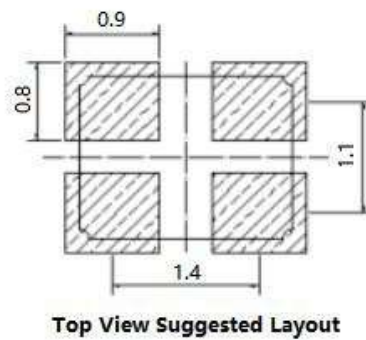
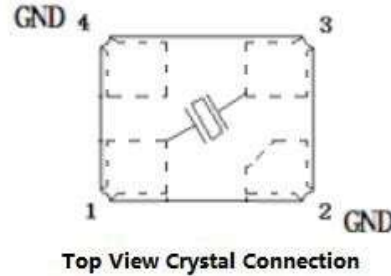
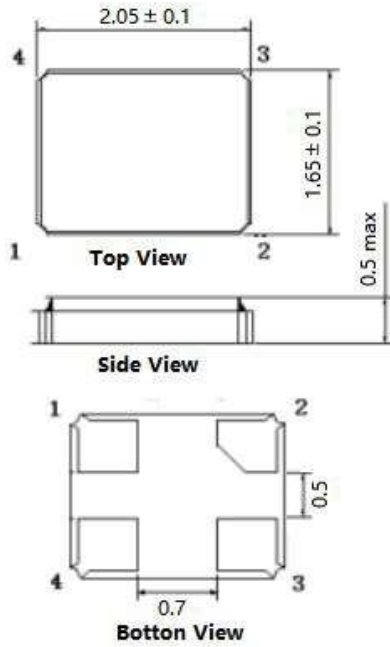
Table of amendment

Version	Revision contents	Prepared by	Revised date
1.0	The first issued	Jieshu ZHENG	2024/9/24

1、Electrical Parameter

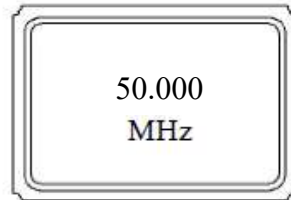
MODEL:		DPX2150M000012A001					
No.	Parameters	SYM.	Electrical Spec.				Notes
			Min.	Typ.	Max.	Units	
1	Specification	-	2016			-	
2	Nominal Frequency	FL	50.000			MHz	
3	Oscillation Mode	-	Fundamental			-	
4	Load Capacitance	CL	12			pF	
5	Frequency Tolerance	-	-10		10	$\times 10^{-6}$	At 25°C
6	Frequency Stability	-	-15		15	$\times 10^{-6}$	Over Operating Temperature Range (Reference 25 °C)
7	Operating Temperature	Topr	-40		85	°C	
8	Storage Temperature	Tstg	-55		125	°C	
9	Drive Level	DL	-	50	300	μ W	
10	Equivalent Series Resistance	ESR			20	Ω	
11	Shunt Capacitance	C0			2	pF	
12	Insulation Resistance	IR	500			M Ω	At DC 100V
13	Aging	-	-2		2	$\times 10^{-6}$	First year at 25°C
14	Standard	-	-			-	

2、 Mechanical Structure



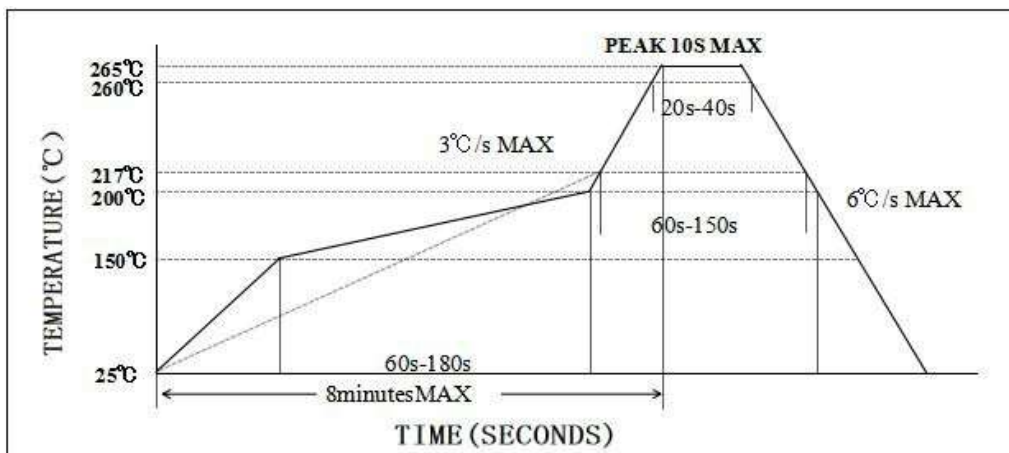
Pin 1	Xtal
Pin 2	GND
Pin 3	Xtal
Pin 4	GND

3、 Marking



50.000 ----- Nominal frequency

4、 Reflow Soldering Curve (RoHS)



5、 Package: Tape & Reel (mm)

