

Customer Code: _____

DATASHEET

DAPU P/N: DPA5350M0000ECB0

DAPU			Customer Approval
Drew	Audited	Approved	Stamp, please! Thanks!
Jack	David	William	
Date: 2023.05.13			

Guangdong Dapu Telecom Technology Co.,Ltd

Building 5, No.24, Industrial East Road, Songshanhu Park, Dongguan, Guangdong, P.R. China

TEL: 0086-0769-88010888 FAX: 0086-0769-81800098



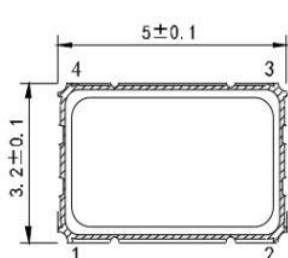
1、 Electrical Parameters

MODEL: DPA5350M0000ECB0							
No.	Parameters	SYM.	Electrical Spec.				Notes
			Min.	Typ.	Max.	Units	
1	Nominal Frequency	FL	50.00			MHz	
2	Oscillation Mode	-	Fundamental				
3	Frequency Stability	-	-25		+ 25	$\times 10^{-6}$	Includes frequency tolerance@25°C, frequency stability VS.operating temperature range
4	Operating Temperature	Topr	-40	~	+ 85	°C	
5	Storage Temperature	Tstg	-55	~	+ 125	°C	
6	Supply Voltage	V _{DD}	1.62		3.63	V	V _{DD} ±10%
7	Input Current	I _{cc}			10	mA	
8	Output waveform	-	CMOS				
9	Output Load	CL	15			pF	
10	Output Voltage High	V _{OH}	90%			V _{DD}	
11	Output Voltage Low	V _{OL}			10%	V _{DD}	
12	Rise Time	T _r			4	ns	10%-90%V _{DD} Level
13	Fall Time	T _f			4	ns	90%-10%V _{DD} Level
14	Aging	-	-3		+ 3	$\times 10^{-6}$	First Year at 25°C
15	Tri-State Output Enable	-	80%			V _{DD}	Pin 1, OE
16	Tri-State Output Disable	-			20%	V _{DD}	Pin 1, OE
17	Duty Cycle	-	40	~	60	%	
18	Start-Up Time	T _{start}			3	ms	Measured from the time V _{DD} reaches its rated minimum value

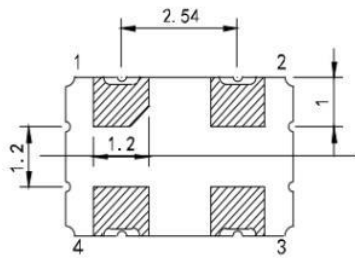


2、 Mechanical Structure

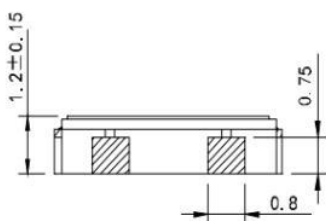
2.1 Dimensions



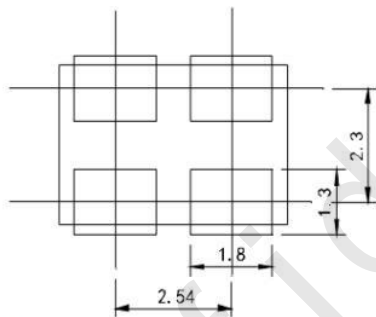
[TOP VIEW]



[BOTTOM VIEW]



[SIDE VIEW]



[Suggested solder pad layout]

Pin	Function
1	Tri-State
2	GND
3	Output
4	V _{DD}

Unit: mm

2.2 Marking



----- DAPU LOGO

50.000 ----- Frequency

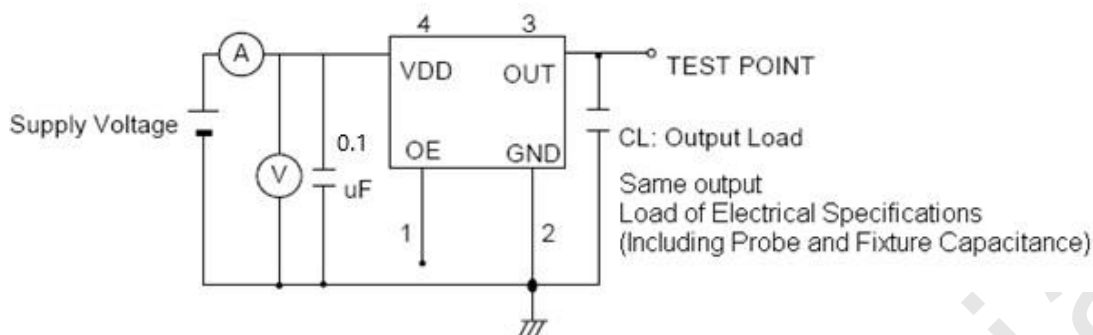
XXYY ----- Manufactured day: XX YY

Year Week

• ----- Pin 1

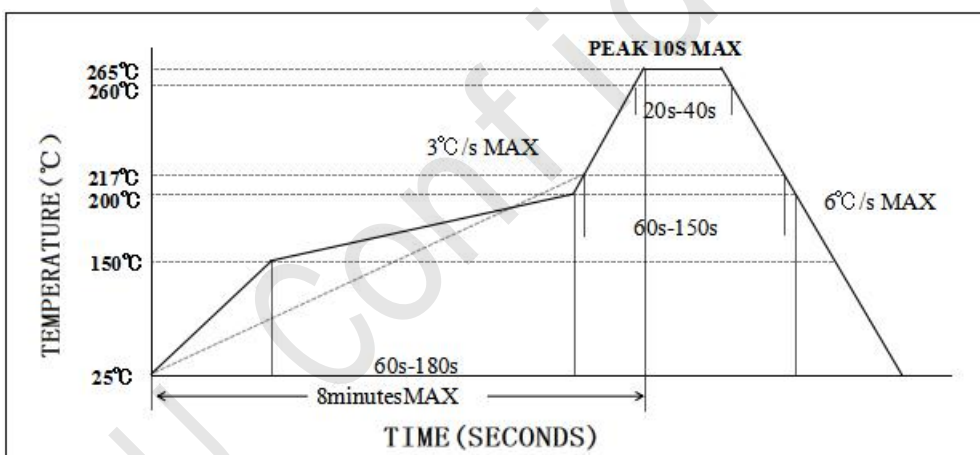


3、 Test Circuit



Control input (output enable/disable)
 Logic 1 or open on pad 1: Oscillator output
 Logic 0 on pad 1 : Disable output to high impedance

4、 Reflow Soldering Curve (RoHS)

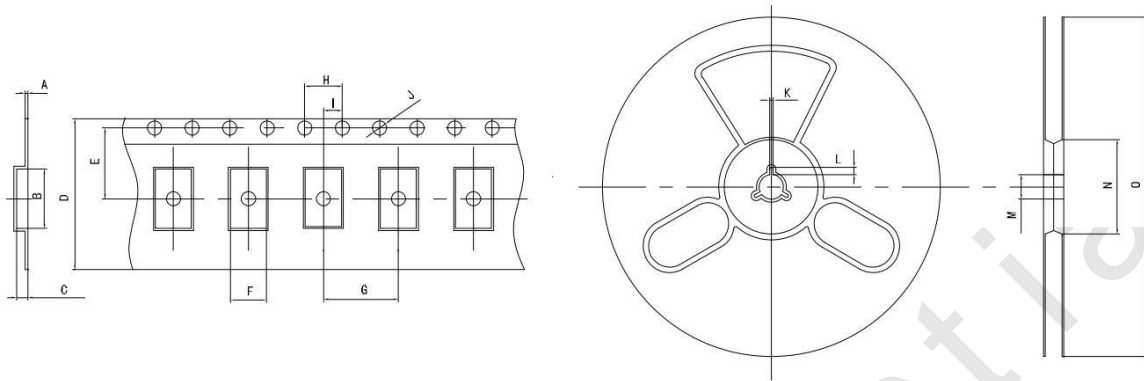


5、 Electro-static Discharges

HBM: Class3A
 MM: ClassC
 CDM: ClassIV



6、Package: Tape & Reel (mm)



TEYE	A	B	C	D	E	F	G	H	I	J	K	L	M	N	O
5×3.2 SMD	0.30	7.50	1.45	12.00	5.50	3.70	8.00	4.00	2.00	1.50	2.00	4.00	13.00	60.00	180.00

7、Reliability Test Specification

NO.	Test Items	Test Standard	Test Condition	Specifications
1	Drop test	GB/T2423.8	Drop from 150cm height on 3cm hard wooden board for 3 times	Electrical performance meets specification requirements
2	Mechanical shock	GB/T2423.5	Peak: 100g; Waveform: Half-sine; Velocity Change: 1000m/s ² ; Duration: 0.5ms; 3 times/direction, Direction: +X, -X, +Y, -Y, +Z, -Z.	
3	Vibration	GB/T2423.10	Frequency: 10~2000Hz; Vibration:20min, 1.52mm; Direction: X, Y, Z; Duration: 2 hours/direction.	
4	Solderability	IEC60068-2-58	Soldering temperature:245°C ± 5°C Immersion time:5 seconds ± 0.5 seconds Flux:Rosin Resin Methanol Solvent (1 : 4)	
5	Resistance to soldering heat	IEC60068-2-58	Reflow soldering: Solder temperature 260±5°C, Immersion time:10±1 S	
6	High temperature storage	GB/T2423.2	Temperature: 125°C±2°C; Duration: 500±12hours;	
7	Low	GB/T2423.1	Temperature: -40°C±2°C;	



	temperature storage		Duration: 500±12hours;
8	Temperature Shock	GB/T2423.22	<p>Do 10 cycles at the following temperature</p> <p> $+125 \pm 3 \text{ }^\circ\text{C}$ $25 \text{ }^\circ\text{C}$ $-55 \pm 3 \text{ }^\circ\text{C}$ </p> <p> 30 min. 30 min. 10 min. max. </p>
9	High temperature high humidity storage	GB/T2423.3	<p>Temperature: $85^\circ\text{C} \pm 3^\circ\text{C}$;</p> <p>Humidity: 85%;</p> <p>Duration: 500hours;</p>

DAPU Confidential