

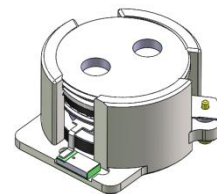


DP2853S

ENG PART:DP-12.7IM-2900T3000-CW

2900MHz to 3000MHz Single-Junction Surface Mount Isolator

REV.	DESCRIPTION	REVISOR	DATE	APPROVED
A	Creating datasheet	ZZ.Zhu	2024/03/07	Nick
B	Updated the label	ZC.Wu	2024/10/21	Nick

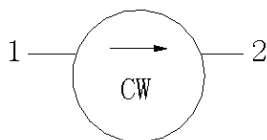


Applications:

- Wireless Infrastructure
- Power Amplifier

Features:

- Operating frequency range: 2900MHz to 3000MHz
- Operating temperature range: -40°C to +85°C
- Storage temperature range: -55°C to +125°C
- Small surface-mount package delivered on T&R
- BeOfree&RoHS compliant



Block Diagram



Electrical Specifications:

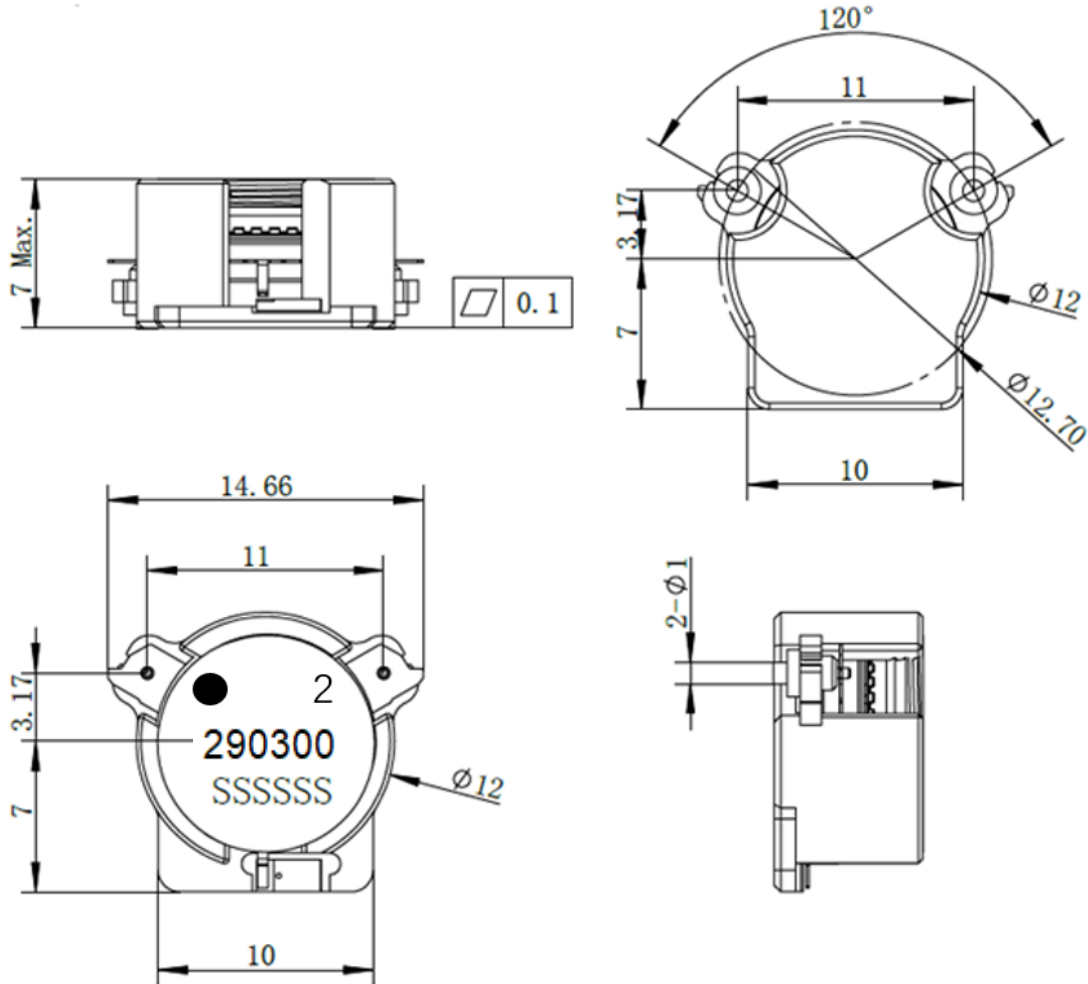
ITEM	SPECIFICATION	
Frequency	2900~3000	MHz
Direction	CW	
Impedance	Typ: 50	Ω
Insertion Loss (Max.)	Typ.0.25 0.30@-40~+85°C	dB
Isolation (Min.)	Typ.24 22@-40~+85°C	dB
Return Loss (Min.)	Typ.24 22@-40~+85°C	dB
Input Impedance ,real	/	Ω
Input Impedance ,imaginary	/	j Ω
3rd IMD (Max.)	/	dBc
Group delay	/	ns
2nd harmonic	/	dBc
3rd harmonic	/	dBc
Power FWD/REV/PEAK	50/15/400	W
Termination/Attenuator	20/-	W/dB

Notes:

1. Exposure to maximum rating conditions for extended periods may reduce device reliability. There is no damage to device with only one parameter set at the limit and all other parameters set at or below their nominal value. Exceeding any of the limits listed here may result in permanent damage to the device.
2. Performance is guaranteed under the conditions listed in this table and over the operating temperature range.
3. Performance will not degrade by > 10% (Insertion loss > 20%) with an operating temperature of up to 130 °C.



Mechanical Specifications:



Unit: Millimeters

Notes:

1. The housing and pins are silver-plated.
2. Tolerance ± 0.2 mm unless otherwise specified.
3. Co-planarity Specification: 0.1 mm maximum.
4. Part Number, Lot Code, and Port Designation are printed on the top side of device.
5. The SSSSSS on the label represents the serial number
6. The black dot on the label represents the input port