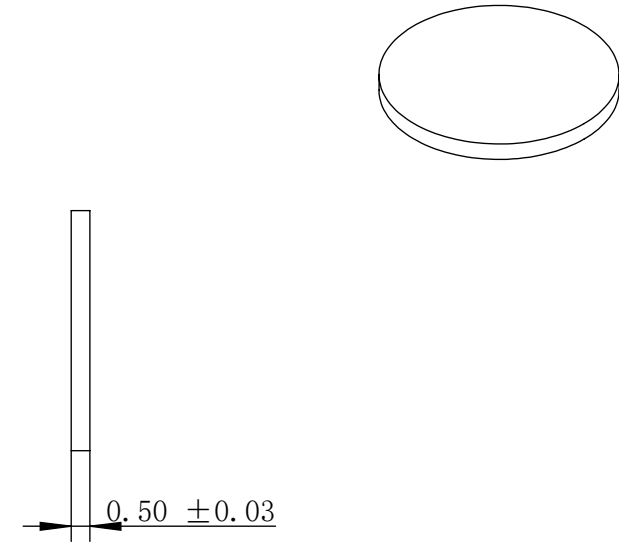
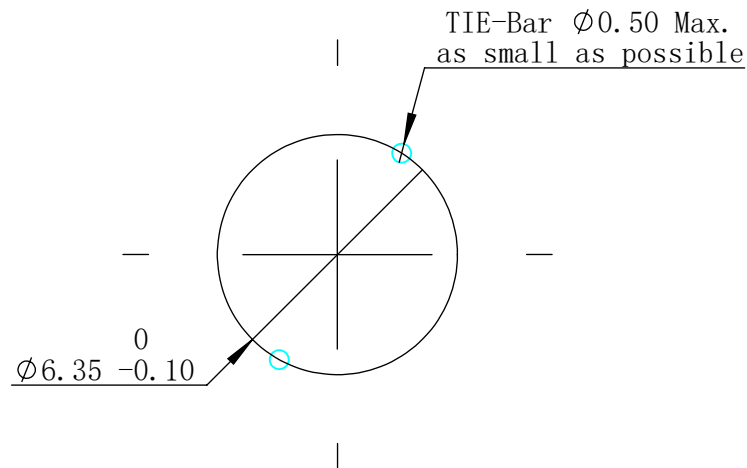


**RoHS COMPLIANT**

REVISIONS				
REV.	ECN NO.	DESCRIPTION	DATE	REVISOR
A	-	Producing release	2022/11/29	ZZ. Zhu



NOTES:

1. MATERIAL:COLD ROLL STEEL
2. FINISH:SILVER, PER DP PLATING STANDARDS FILE PSF-00001(LATEST RVE.)
3. ANY UNDIMENSIONED FEATURES TO MEET CAD FILE
4. UNLESS OTHERWISE SPECIFIED, REMOVE ALL BURRS VISIBLE WITHOUT MAGNIFICATION
5. ALL DIMENSIONAL LIMITS APPLY AFTER FINISH
6. ALL THE DIMENSION MUST BE INSPECTED BY IQC.

PART NAME: 匀磁片	Designed:	ZZ. Zhu	2022/11/29		
	Checked:	ZC. Wu	2022/11/29		
DRAWING NO. : PPF-00205	Approval:	KL. Wang	2022/11/29	TOLERANCES ON	
	The first angle projection:				
DESCRIPTION: POLE PIECE	Sheet 1 of 1			DECIMALS	ANGLES
	Scale:	Unit:	-	.x $\pm 0.10$	$\pm 0.5^\circ$
	1:1	mm		.xx $\pm 0.05$	
				.xxx $\pm 0.02$	