

Customer Code: \_\_\_\_\_

# DATASHEET

DAPU P/N: **DP7X2500020**  
\_\_\_\_\_

DAPU			Customer Approval
Drew	Audited	Approved	Stamp, please! Thanks!
Date: 2021.09.28			

## Guangdong Dapu Telecom Technology Co.,Ltd

Building 5, No.24, Industrial East Road, Songshanhu Park, Dongguan, Guangdong, P.R. China

TEL: 0086-0769-88010888 FAX: 0086-0769-81800098

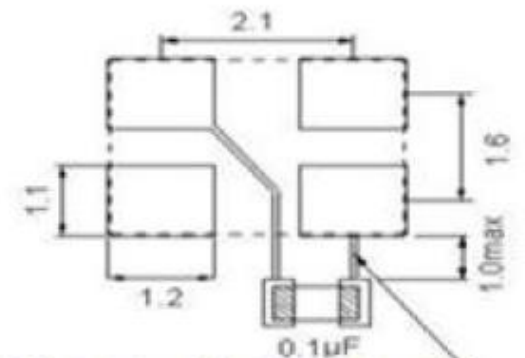
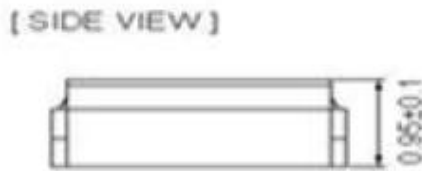
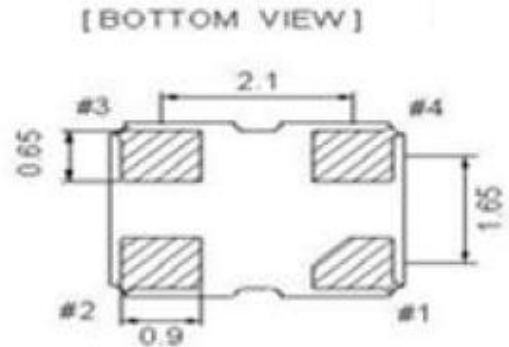
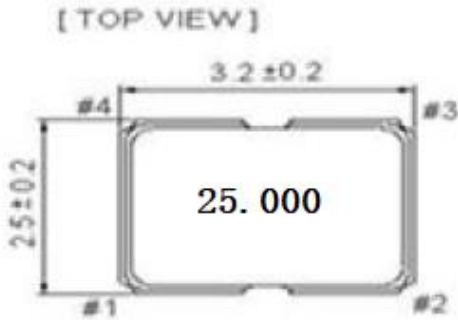


## 1、Electrical Parameters

MODEL: DP7X25000020							
No.	Parameters	SYM.	Electrical Spec.				Notes
			Min.	Typ.	Max.	Units	
1	Nominal Frequency	FL	25.00			MHz	
2	Output Waveform		CMOS				
3	Symmetry	-	45	50	55	%	
4	Frequency stability		-20		+20	$\times 10^{-6}$	25°C
			-20		+20	$\times 10^{-6}$	-40-85°C
5	Operating Temperature	Topr	-40		+85	°C	The operating temperature range over which the frequency stability is measured.
6	Storage Temperature	Tstg	-55	~	+125	°C	
7	Supply Voltage	Vcc	1.65		3.45	V	
8	Supply Current	Icc			5	mA	
9	Output Load:	CL			15	pF	
10	Aging First Year		-3		+3	$\times 10^{-6}$	
11	Start up time				5	ms	
12	Rise/ Fall Time	Tr/Tf	-	-	5	ns	
13	“H” Onput Voltage	VOH	Vdd*0.9			V	
14	“l” Onput Voltage	VOL			Vdd*0.1	V	
15	Tri-State Output Active		0.7*Vdd			V	Pin 1 Tri-state
16	Tri-State Output in High-impedance state				0.3*Vdd	V	



## 2、Mechanical Structure(mm)



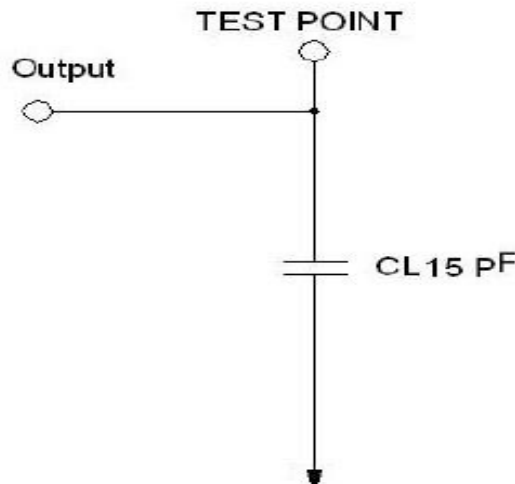
※ Might cause malfunction if do not follow the recommendation.

**Recommended soldering pattern**

Pin	Function
#1	Tri-State
#2	GND
#3	Output
#4	V <sub>DD</sub>

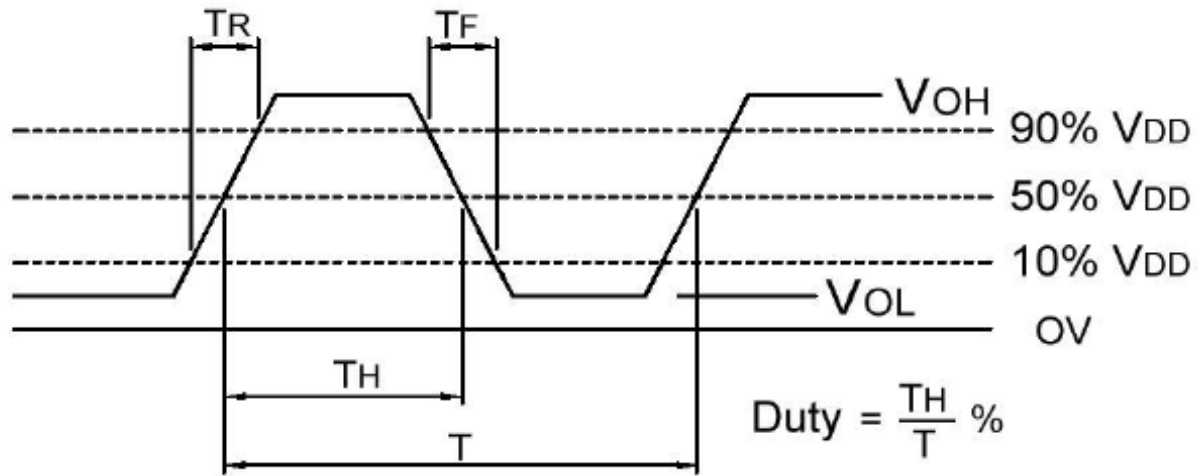
Note1: Tolerance  $\pm 0.2$ mm without mark

## 3、Test Circuit

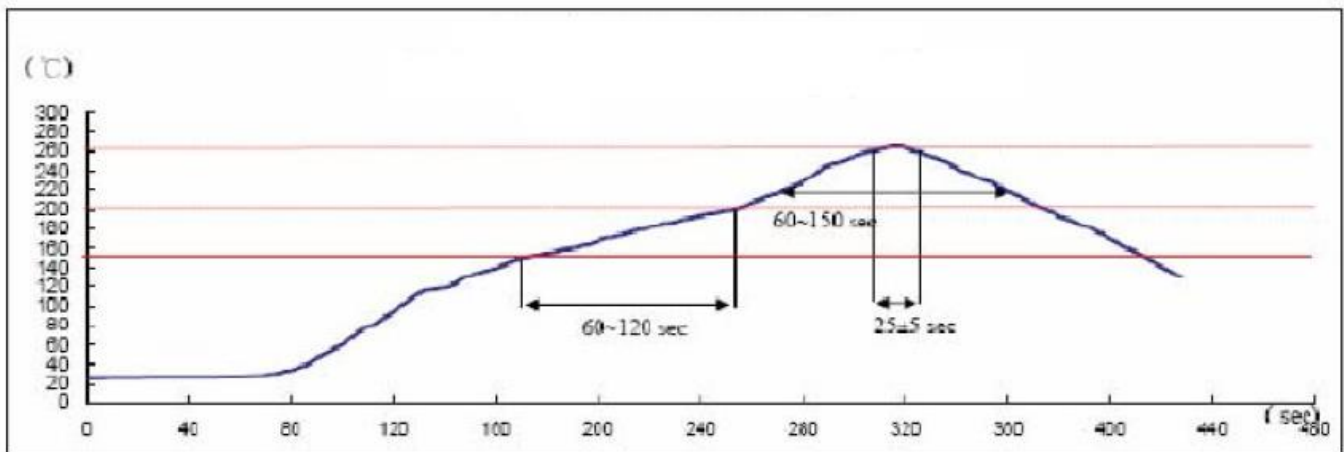




#### 4、 Output Waveform(CMOS Load)



#### 5、 Recommended Ir Reflow Profile



IR-Reflow Test

Reference Standard : JEDEC-STD 020

Test Conditions: Pre-heating : 150°C to 200 °C , 60~120 sec

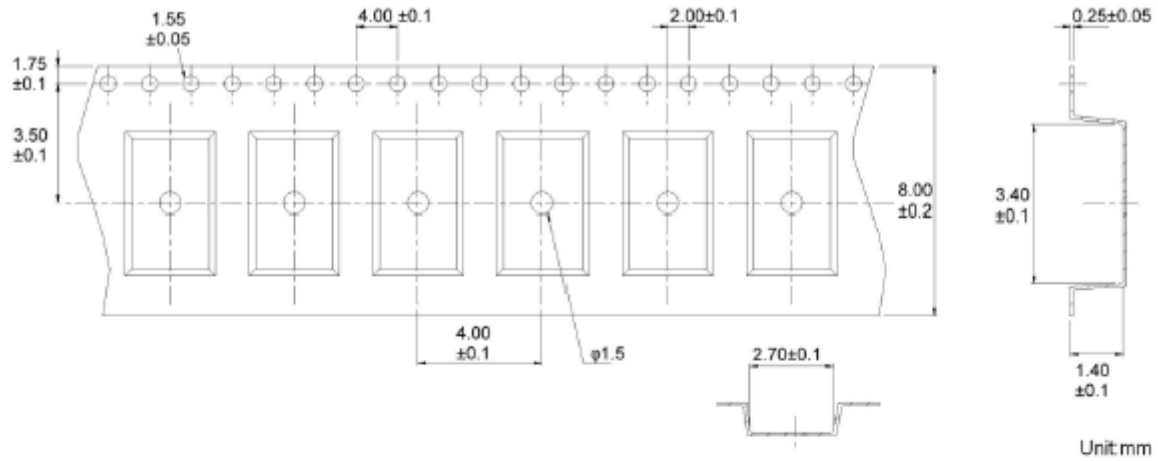
Heating : 217 °C , 60~150 sec

Peak Temperature : 260±5 °C , 25±5 sec

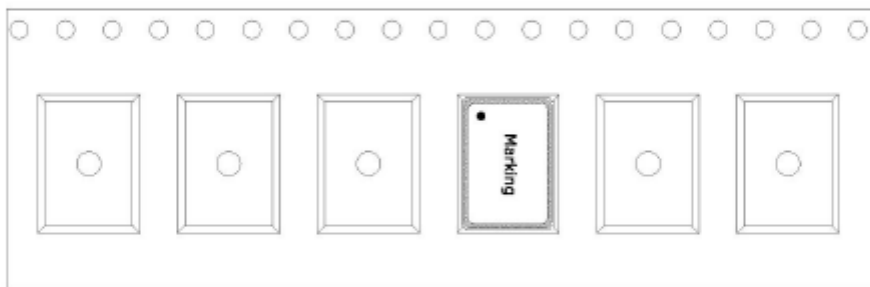


## 6、 Package: Tape & Reel (mm)

### ➤ TAPE (CARRIER) DIMENSIONS



### ➤ THE DIRECTION OF PACKING



### ➤ REEL DIMENSIONS

