

Travelling Merchant: _____

DATASHEET

Standard: **T53-Q313-10.00MHz**

P/N: _____

| Plot | | | The Label |
|------------------|---------|----------|------------------------|
| Drew | Audited | Approved | Stamp, please! Thanks! |
| | | | |
| Date: 2023.08.24 | | | |

Guangdong Dapu Telecom Technology Co.,Ltd

Building 5, No.24, Industrial Road East, Songshanhu Park, Dongguan, Guangdong, P.R. China

TEL: 0086-0769-88010888 FAX: 0086-0769-81800098



1. Electrical Parameters

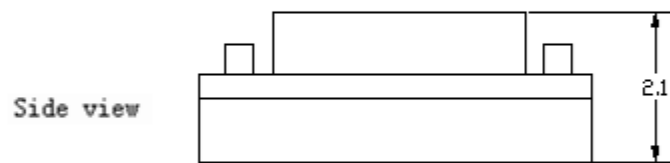
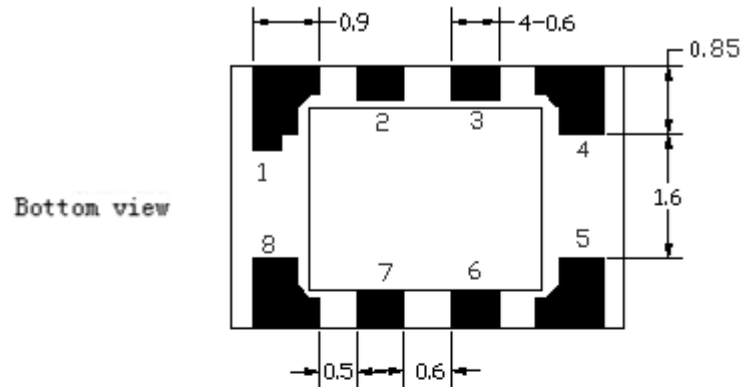
| MODEL: T53-Q313-10.00MHz | | | | | | |
|--------------------------|---|------------|------|-------|------------------|--|
| Item | Description | Parameters | | | Unit | Test Condition |
| | | Min. | Typ. | Max. | | |
| Output | Frequency | 10.00 | | | MHz | |
| | Output Waveform | CMOS | | | | |
| | Output Low Voltage | | | 0.4 | V | $V_{cc}=3.3V, O_{load}=15\text{ pF}$ |
| | Output High Voltage | 2.4 | | | V | $V_{cc}=3.3V, O_{load}=15\text{ pF}$ |
| | Duty Cycle | 40 | | 60 | % | @50% |
| | Rise / Fall Time (10%~90%) | | | 7 | ns | @25°C |
| | Start Up Time | | | 2 | ms | @90% of Final Vout level |
| | | | | 3 | ms | Within $\pm 0.5\text{ppm}$ of final frequency |
| | Load | 15 | | | pF | |
| Frequency Stabilities | Frequency Tolerance vs. Operating Temperature Range | -0.1 | | +0.1 | $\times 10^{-6}$ | T_A varied from -40°C to 85°C, measurement referenced to frequency observed with $f_{ref}=(f_{max}+f_{min})/2, V_{cc}=3.3V, V_c=1.5V, O_{load}=15\text{pF}$, temperature variable speed less than 2°C per minute. |
| | Initial Frequency Tolerance | -0.5 | | +0.5 | $\times 10^{-6}$ | Measurement referenced to frequency observed with $T_A=25^\circ\text{C}, V_{cc}=3.3V, V_c=1.5V$ within 30 days after ex-works. |
| | Frequency Tolerance vs. Supply Voltage | -0.1 | | +0.1 | $\times 10^{-6}$ | measurement referenced to frequency observed $T_A=25^\circ\text{C}, V_{cc}$ varied from 3.135V to 3.465V, $V_c=1.5V$ and $O_{Load}=15\text{pF}$. |
| | Frequency Tolerance vs. Load | -0.1 | | +0.1 | $\times 10^{-6}$ | 5% load change measurement referenced to frequency observed with $T_A=25^\circ\text{C}, V_{cc}=3.3V, V_c=1.5V, O_{Load}=15\text{pF}$ |
| | Aging Tolerance 1 Year | -0.5 | | +0.5 | $\times 10^{-6}$ | $T_A=25^\circ\text{C}, V_{cc}=3.3V, V_c=1.5V$ and after 1h of operation. |
| Power Supply | Current Consumption | | | 10 | mA | @25°C, $V_{cc}=3.3V, V_c=1.5V, O_{load}=15\text{pF}$. |
| | Supply Voltage | 3.135 | 3.3 | 3.465 | V | |



| | | | | | | |
|---------------------------------|---|---|--|------|------------------|---|
| Voltage Control Characteristics | Frequency Tuning Range | -10 | | -5 | $\times 10^{-6}$ | $V_c=0V$. measurement referenced to $V_c=1.5V$ |
| | | -0.5 | | +0.5 | $\times 10^{-6}$ | $V_c=1.5V$. measurement referenced to exactly 10.00MHz |
| | | +5 | | +10 | $\times 10^{-6}$ | $V_c=3.0V$. measurement referenced to $V_c=1.5V$ |
| | Linearity | | | 10 | % | |
| | Slope | Positive | | | | |
| | Input Impedance | 100 | | | | K Ω |
| Phase Noise | Phase Noise | | | -115 | dBc/Hz | 100Hz |
| | | | | -135 | | 1KHz |
| | | | | -150 | | 10KHz |
| Environmental Conditions | Operable Temperature | -40 | | +85 | $^{\circ}C$ | |
| | Storage Temperature | -55 | | +105 | $^{\circ}C$ | |
| | ESD Level | Human Body Model,class2: 2000V to 4000V; ANSI/ESDA/JEDEC JS-001-2010. | | | | |
| | | Machine Model, class B: 200V to 400V; JEDEC JESD22-A115C. | | | | |
| | Moisture Sensitivity Level | Level 3. | | | | |
| | Vibration | Test Condition: 0.75mm ;acceleration:10g;10Hz~2000Hz, one cycle per 30 min, test 2 hour. (3 times for each 3 directions X ,Y , Z) .IEC 68-2-06 Test Fc. | | | | |
| Shock | 100g; 6ms; half sine wave (3 times for each 3 directions X ,Y , Z),IEC 68-2-27 Test Ea/Severity 50A. | | | | | |

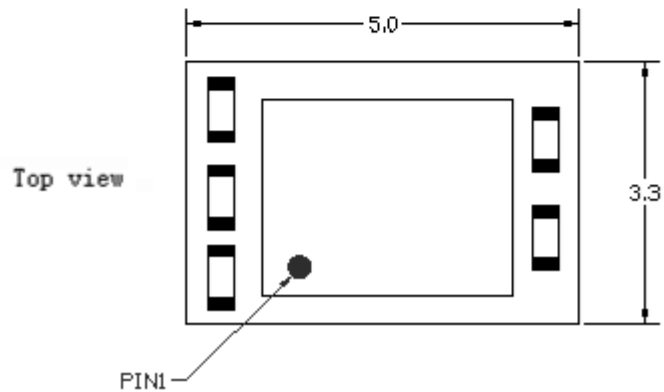


2. Mechanical Structure(mm)



PIN FUNCTION

| PIN | NOTATION | FUNCTION |
|------|----------|-----------------|
| 1 | VC | Control Voltage |
| 2, 3 | NC | Not Connect |
| 4 | GND | GND |
| 5 | OUTPUT | RF Output |
| 6, 7 | NC | Not Connect |
| 8 | VCC | Supply Voltage |



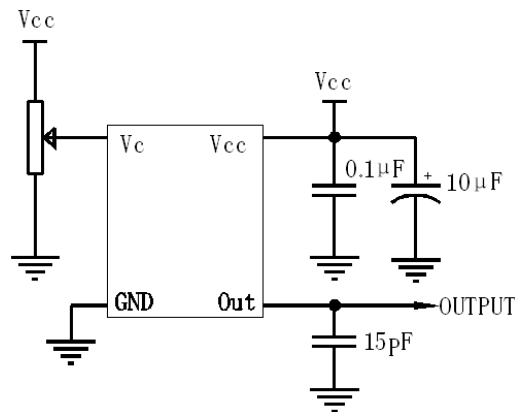
Note1: Tolerance $\pm 0.2\text{mm}$ without mark

Note2: Referential Weight 0.05g

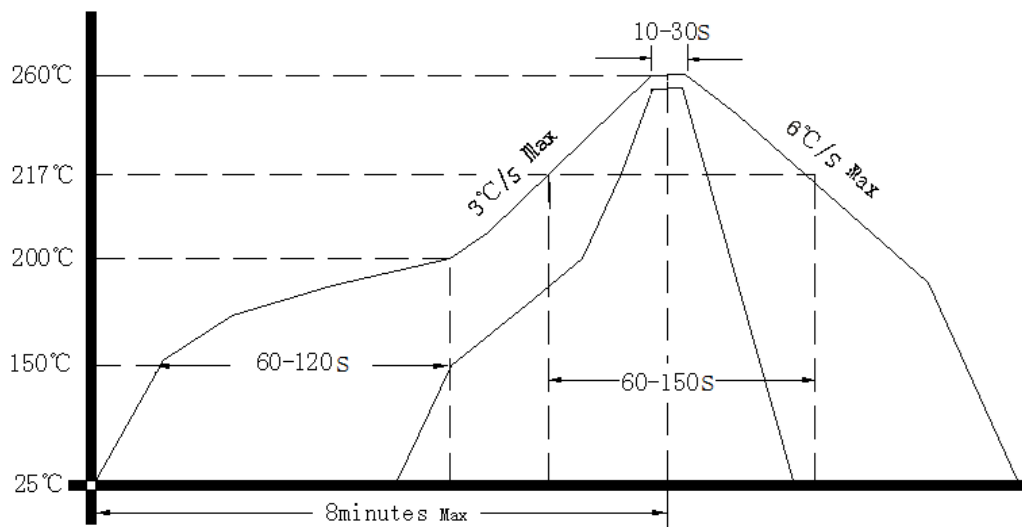
Note3: NC is not connect



3. Test circuit



4. Reflow Soldering Curve (RoHS)



5. Package: Tape & Reel (mm)

