

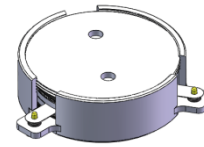


## DP2966C

### ENG PART:DP-28.4CM-550T678-CCW

550MHz to 678MHz Single-Junction Surface Mount Circulator

REV.	DESCRIPTION	REVISOR	DATE	APPROVED
1	Creating datasheet	ZC.Wu	2023/12/14	Nick

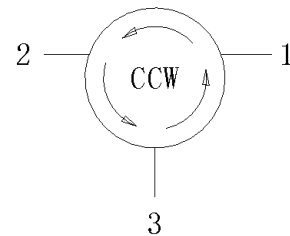


#### Applications:

- Wireless Infrastructure
- Power Amplifier

#### Features:

- Operating frequency range:550MHz to 678MHz
- Operating temperature range: -40°C to +85°C
- Storage temperature range: -50°C to +130°C
- BeOfree&RoHS compliant



Block Diagram



## Electrical Specifications:

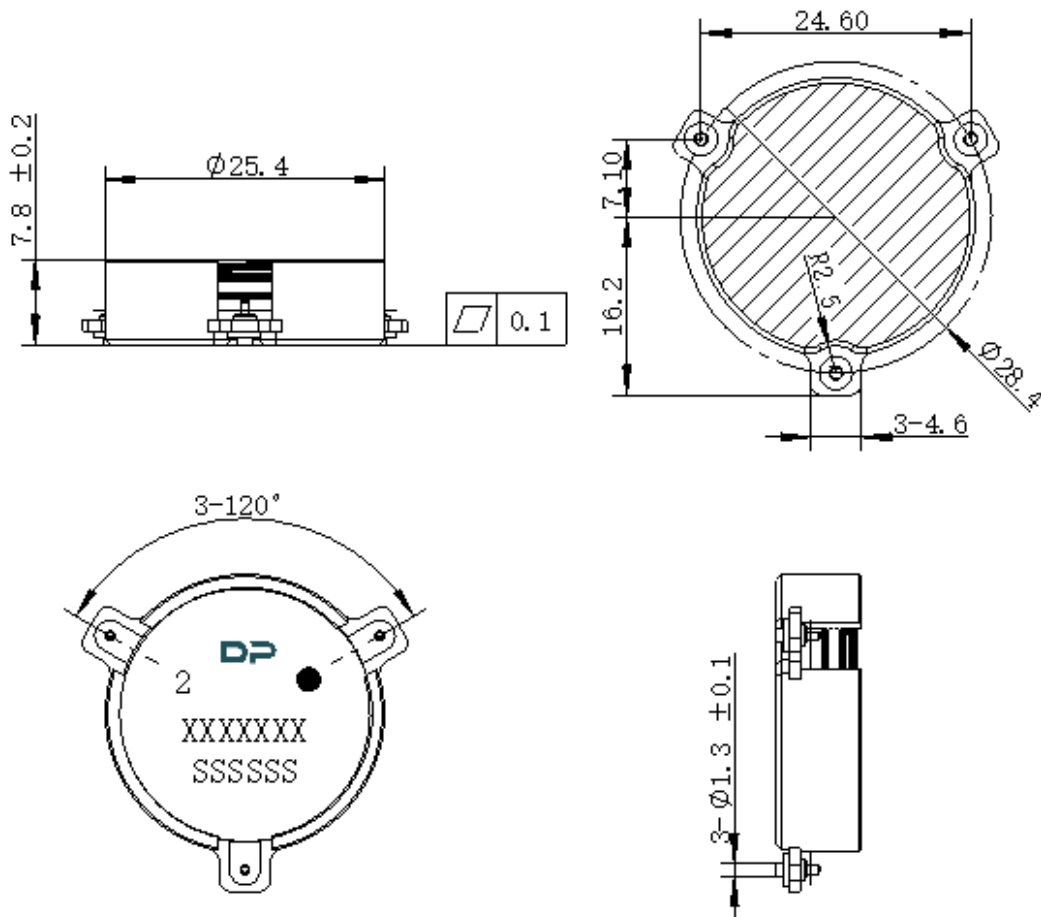
ITEM	SPECIFICATION	
Frequency	550~678	MHz
Direction	CCW	
Impedance	Typ: 50	$\Omega$
Insertion Loss (Max.)	0.35@25 $\pm$ 5 $^{\circ}$ C 0.45@-40~+85 $^{\circ}$ C	dB
Isolation (Min.)	20.0@25 $\pm$ 5 $^{\circ}$ C 17.0@-40~+85 $^{\circ}$ C	dB
Return Loss (Min.)	20.0@25 $\pm$ 5 $^{\circ}$ C 17.0@-40~+85 $^{\circ}$ C	dB
Power FWD/REV/PEAK	150/-/1000	W
IMD (Max.)	-	dBc
Out Band Resonance	-	
Input Impedance ,real	-	$\Omega$
Input Impedance ,imaginary	-	$\Omega$
Termination/Attenuator	-	W/dB

### Notes:

1. Exposure to maximum rating conditions for extended periods may reduce device reliability. There is no damage to device with only one parameter set at the limit and all other parameters set at or below their nominal value. Exceeding any of the limits listed here may result in permanent damage to the device.
2. Performance is guaranteed under the conditions listed in this table and over the operating temperature range.



### Mechanical Specifications:



Unit: Millimeters

#### Notes:

1. The housing and pins are silver-plated.
2. Tolerance  $\pm 0.2$ mm unless otherwise specified.
3. Co-planarity Specification: 0.1mm maximum.
4. Part Number, Lot Code, and Port Designation are printed on the top side of device.
5. The **XXXXXXX** on the label represents the part number
6. The **SSSSSS** on the label represents the serial number
7. The black dot on the label represents the input port