

Travelling Merchant: _____

DATASHEET

Standard: DP7C10000006

Remarks: _____

Plot			The Label
Drew	Audited	Approved	Stamp, please! Thanks!
Date: 2023.08.03			

Guangdong Dapu Telecom Technology Co.,Ltd

Building 5, No.24, Industrial East Road, Songshanhu Park, Dongguan, Guangdong, P.R. China

TEL: 0086-0769-88010888 FAX: 0086-0769-81800098

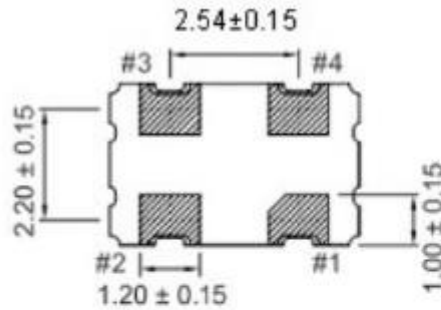
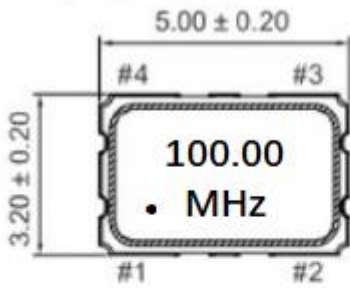


1、Electrical Parameters

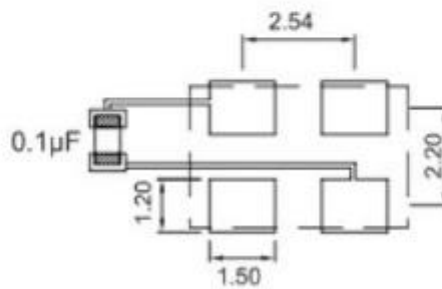
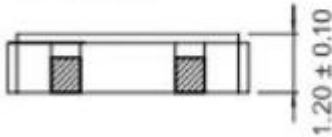
MODEL: DP7C1000006							
No.	Parameters	SYM.	Electrical Spec.				Notes
			Min.	Typ.	Max.	Units	
1	Nominal Frequency	FL	100.00			MHz	
2	Frequency Tolerance	FL	-20		+20	$\times 10^{-6}$	
3	Frequency Stability Over Operating Temp. Range	TC	-25	~	+25	$\times 10^{-6}$	
4	Operating Temperature	Topr	-40	~	+85	$^{\circ}\text{C}$	
5	Storage Temperature	Tstg	-55	~	+125	$^{\circ}\text{C}$	
6	Supply Voltage	VDD	3.3 \pm 10%			V	
7	Input Current	Icc	-	-	40	mA	
8	Output waveform	-	CMOS			-	
9	Output Load: CMOS	CL			15	pF	
10	Output Voltage High	VoH	90% Vdd	-	-	V	
11	Output Voltage Low	Vol	-	-	10% Vdd	V	
12	Rise/ Fall Time	Tr/ Tf	-	-	6	ns	10%~90% Vdd Level
13	Symmetry (Duty ratio)	TH/T	45	50	55	%	
14	Start-up Time	Tosc	-	-	10	ms	
15	Aging	-	-3		+3	$\times 10^{-6}/\text{yr.}$	First Year
16	Output Enable		0.7Vdd or floating			V	Pin 1 Tri-state
17	Output Disable				0.3Vdd	V	Pin 1 Tri-state



2、Mechanical Structure(mm)



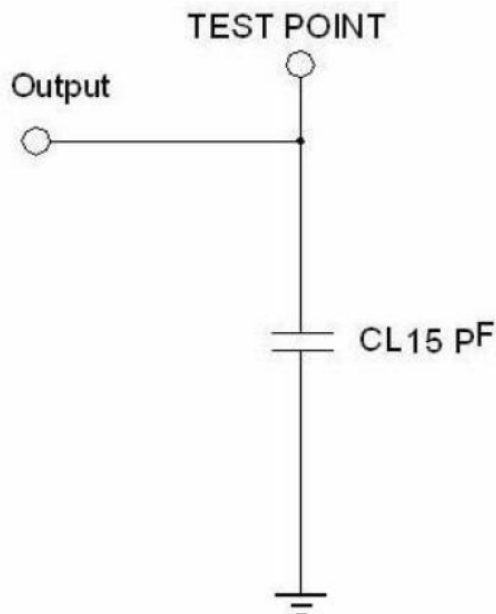
[SIDE VIEW]



Pin	Function
#1	TRI-STATE
#2	GND
#3	Output
#4	V _{DD}

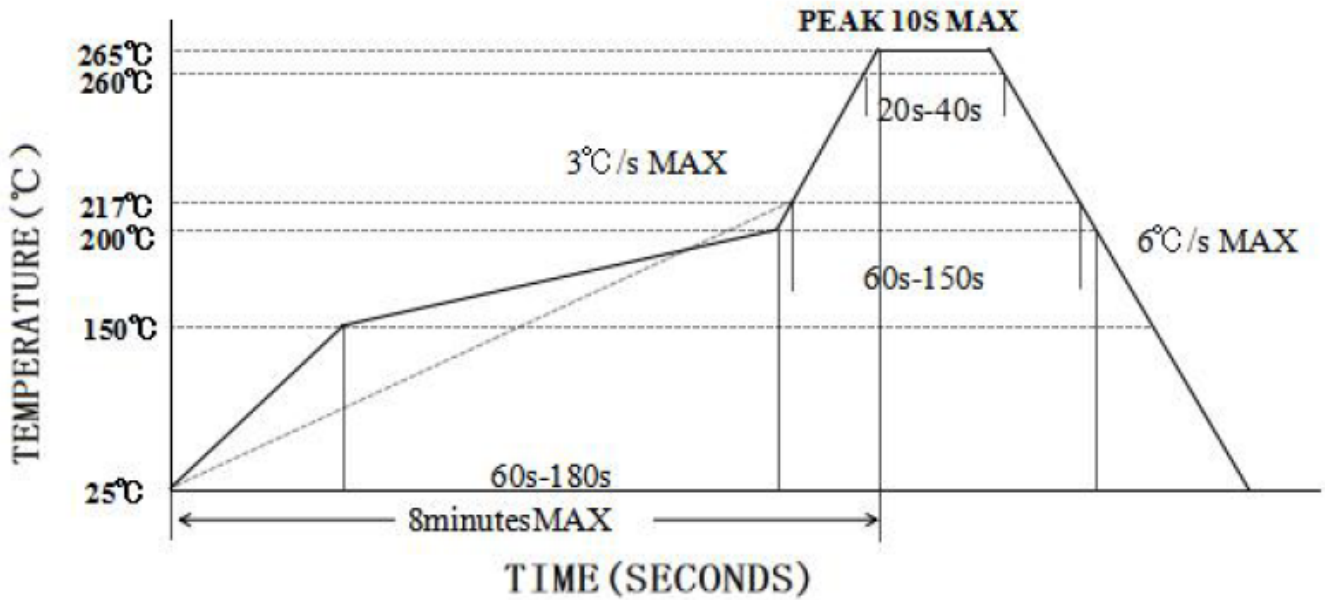
Note1:Tolerance ± 0.2 mm without mark

3、Test Circuit





4、Reflow Soldering Curve (RoHS)



5、Package: Tape & Reel (mm)

