

Travelling Merchant: _____

DATASHEET

Standard: **T21-S513-30.72MHz**

Plot			The Label
Drew	Audited	Approved	Stamp, please! Thanks!
Date: 2023.04.20			

Guangdong Dapu Telecom Technology Co.,Ltd

Building 5, No.24, Industrial East Road, Songshanhu Park, Dongguan, Guangdong, P.R. China

TEL: 0086-0769-88010888 FAX: 0086-0769-81800098

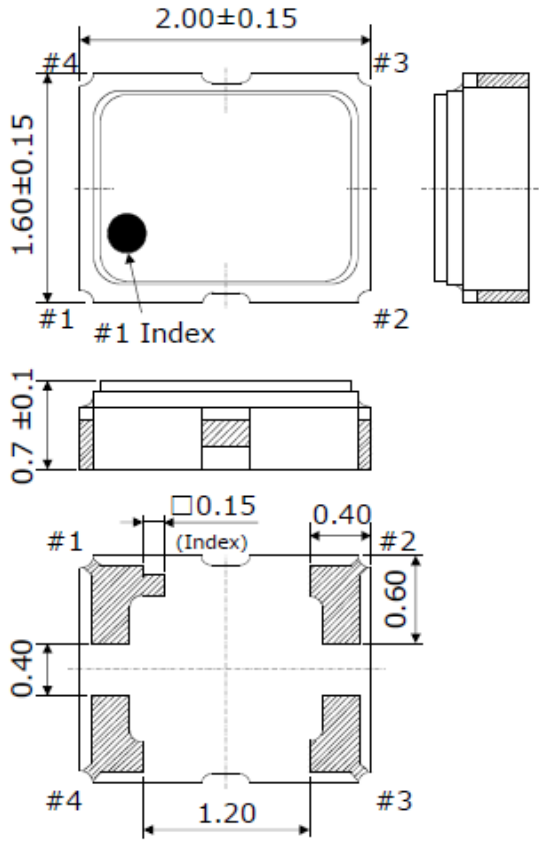


1、 Electrical Parameters

MODEL: T21-S513-30.72MHz							
No.	Parameters	SYM.	Electrical Spec.				Notes
			Min.	Typ.	Max.	Units	
1	Nominal Frequency	FL	30.72			MHz	
2	Supply Voltage	VDD	3.135	3.3	3.465	V	
3	Current Drain	-	-	-	2	mA	
4	Output Level	-	0.8	-	-	Vp-p	
6	Symmetry		40		60	%	GND level(DC cut)
7	Start up Time				2	ms	
8	Output Waveform	-	Clipped Sine wave			-	
9	Standard Output Load	-	10KΩ//10pF			-	
11	Frequency Stability	vs.Tolerance	-1.5	-	+1.5	$\times 10^{-6}$	@25°C, After 2 times reflow Ref. to Nominal Frequency, at V _c =1.5V
12		vs. Temperature	-0.5	-	+0.5	$\times 10^{-6}$	T _A varied from -40°C to 85°C, measurement referenced to frequency observed with f _{ref} =(f _{max} +f _{min})/2, V _{cc} =3.3V, V _c =1.5V.
13		vs. Load	-0.2	-	+0.2	$\times 10^{-6}$	L _{load_R} //C=(10kΩ//10pF) ± 10%
14		vs. Supply Voltage	-0.2	-	+0.2	$\times 10^{-6}$	V _{cc} =+3.3V ± 5%,
15	Aging	-	-1.0	-	+1.0	$\times 10^{-6}$	1st Year, @25°C
16	Frequency Tuning Range	-	-15	-	-8	$\times 10^{-6}$	V _c = 0.5 V. measurement referenced to V _c =1. 5V
		-	+8	-	+15	$\times 10^{-6}$	V _c = 2.5 V. measurement referenced to V _c =1. 5V
17	Input Resistance		500			kΩ	
18	Phase Noise @25°C	@ 1KHz Offset			-130	dBc/Hz	
19	Operating Temperature Range	-	-40	~	+85	°C	
20	Storage Temperature	-	-40	~	+85	°C	



2、Mechanical Structure(mm)



Pin connections

Pin No.	Connection
#1	V _{CONT}
#2	GND
#3	Output
#4	V _{CC}

Unit : mm

Dimensional tolerance : ±0.15
(Unless otherwise noted)

3、Test Circuit

