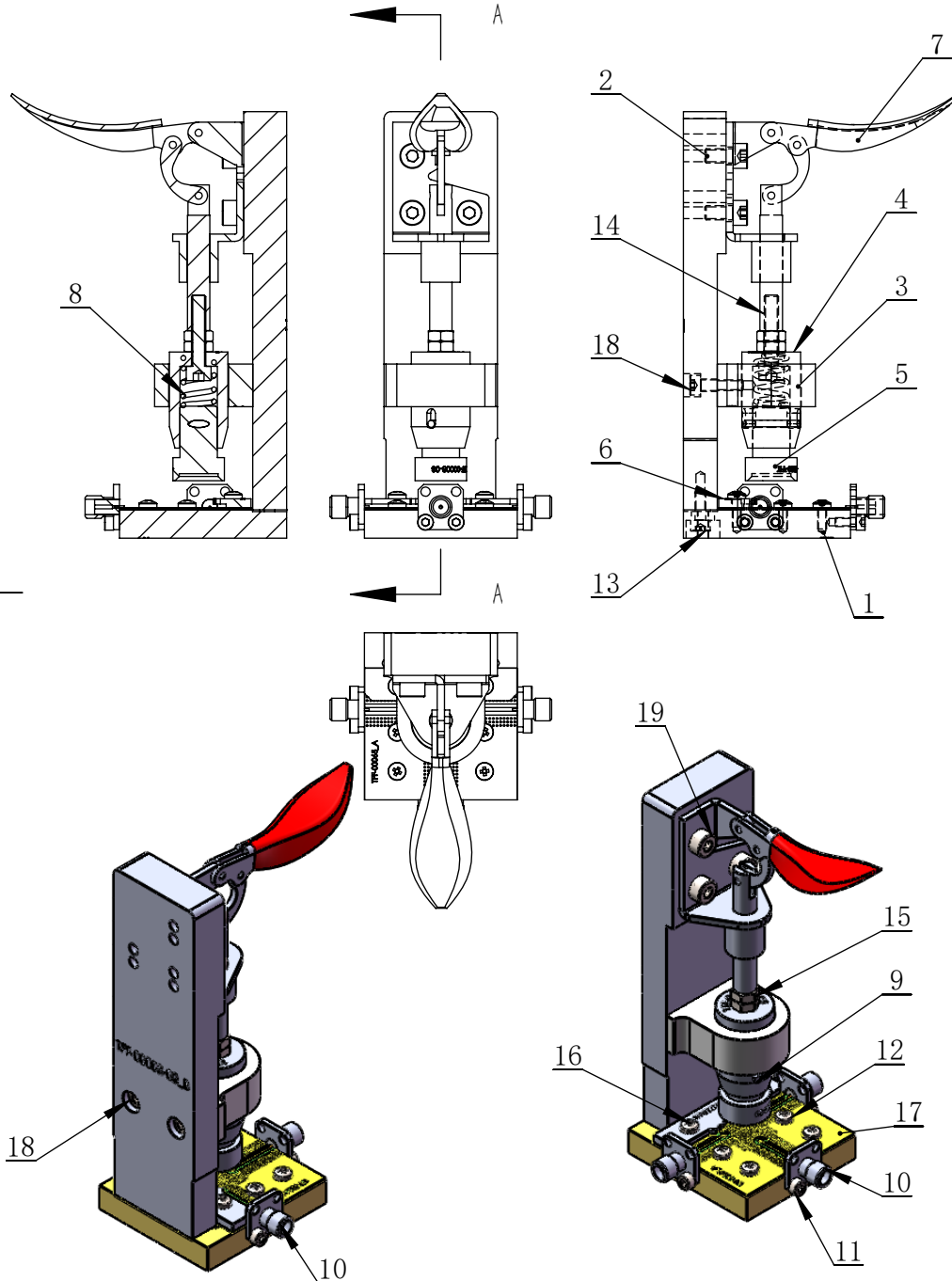



**RoHS COMPLIANT**

REVISIONS				
REV.	ECN NO.	DESCRIPTION	DATE	APPROVAL
A	-	Producing release	2021/11/15	



项目号	零件号	说明	数量
1	TFF-00093-01	Test Block	1
2	TFF-00003-02	Fixed Block	1
3	TFF-00002-02	Guide Block	1
4	TFF-00002-05	Pressure Head Fixing Seat	1
5	TFF-00003-03	Pressure Head	1
6	TFF-00093-04	Limited Bolck	1
7	TAS-00088	GH-301-AM	1
8	SPR-00002	SPRING	1
9	DOW-00002	DOWEL $\Phi 2.0 \times 16$	1
10	con-00004	CONNECTOR SMA-F	3
11	SCR-00008	M2. 5X6内六角螺丝	6
12	SCR-00001	SCREW 十字盘头 M2. 5X6	4
13	SCR-00023	Screw 内六角圆柱头 M3x8	2
14	SCR-00002	Screw 内六角圆柱头 M4X20	1
15	NUT-00001	M4 Nut	2
16	SCR-00003	Screw 十字盘头 M2. 5X8	2
17	PCB-00065	PCB	1
18	SCR-00005	Screw 内六角圆柱头 M3x12	2
19	SCR-00004	Screw 内六角圆柱头 M4X8	3

PART NAME: $\Phi 12.5$ 测试夹具	Designed:	ZC. Wu						
	Checked:							
DRAWING NO. : TFF-00093	Approval:		TOLERANCES ON					
	The first angle projection: $\oplus \ominus$		<table border="1"> <tr> <th>DECIMALS</th> <th>ANGLES</th> </tr> <tr> <td>.x <math>\pm 0.10</math></td> <td rowspan="3"><math>\pm 0.5^\circ</math></td> </tr> <tr> <td>.xx <math>\pm 0.05</math></td> </tr> <tr> <td>.xxx <math>\pm 0.02</math></td> </tr> </table>	DECIMALS	ANGLES	.x $\pm 0.10$	$\pm 0.5^\circ$	.xx $\pm 0.05$
DECIMALS	ANGLES							
.x $\pm 0.10$	$\pm 0.5^\circ$							
.xx $\pm 0.05$								
.xxx $\pm 0.02$								
DESCRIPTION: TEST FIXTURE	Sheet 1 of 1							
	Scale: 1:1	Unit: mm	-					