



CC160-126T130-C017

126.5MHz to 129.5MHz Single-Junction Coaxial Circulator

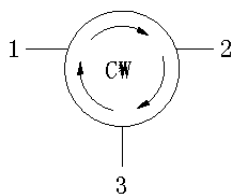
REV.	DESCRIPTION	REVISOR	DATE	APPROVED
1	Creating datasheet	ZC.Wu	2024/2/19	-

Applications:

- Wireless Infrastructure
- Power Amplifier

Features:

- Operating frequency range: 126.5MHz to 129.5MHz
- Operating temperature range: -10°C to +70°C
- Storage temperature range: -40°C to +100°C
- BeOfree&RoHS compliant



Block Diagram



Electrical Specifications:

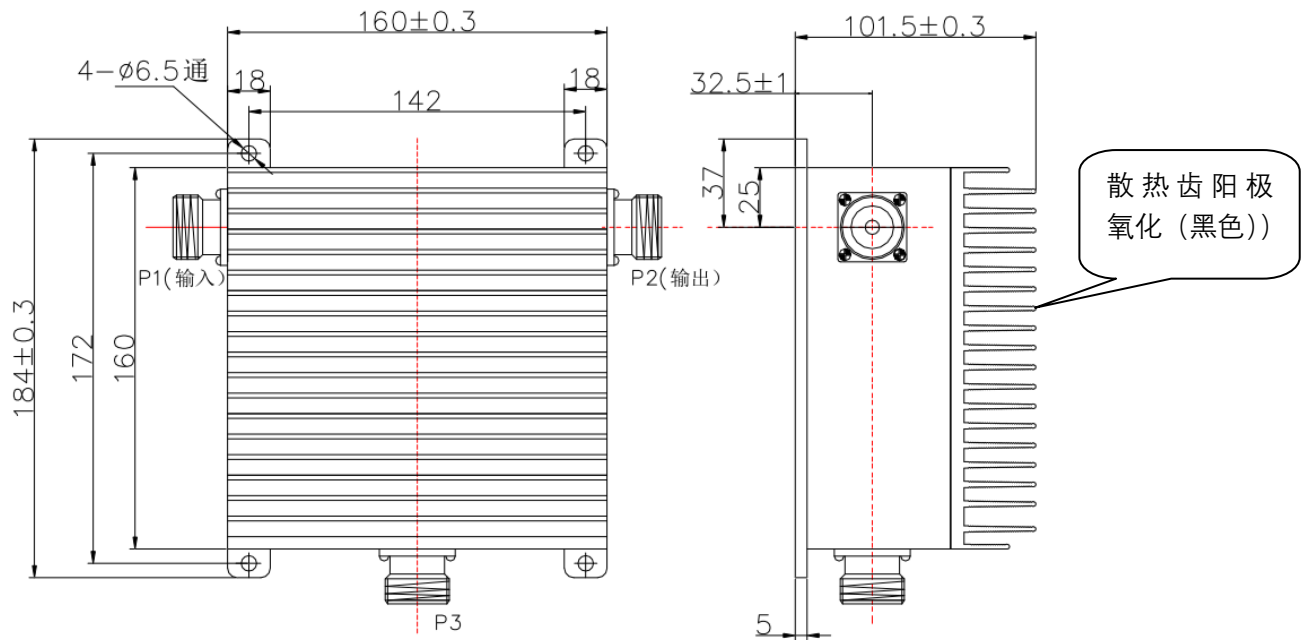
ITEM	SPECIFICATION	
Frequency	126.5~129.5	MHz
Direction	CW (P1→P2→P3)	
Impedance	Typ: 50	Ω
Insertion Loss (Max.)	0.5@25±5°C 0.6@-10~+70°C	dB
Isolation (Min.)	20@25±5°C 18@-10~+70°C	dB
Return Loss (Min.)	19@25±5°C 17.7@-10~+70°C	dB
3rd IMD (Max.)	/	dBc
Group delay	/	ns
Connector	7/16 Female	
2nd attenuation	/	dB
3rd attenuation	/	dB
Power FWD/REV/PEAK	1400/-/20K(Pulse Width 8ms)	W
Termination/Attenuator	/	W/dB

Notes:

1. Exposure to maximum rating conditions for extended periods may reduce device reliability. There is no damage to device with only one parameter set at the limit and all other parameters set at or below their nominal value. Exceeding any of the limits listed here may result in permanent damage to the device.
2. Performance is guaranteed under the conditions listed in this table and over the operating temperature range.



3. Mechanical Specifications:



Unit: Millimeters

Notes:

1. Tolerance ± 0.2 mm unless otherwise specified.
2. Part Number, Lot Code, and Port Designation are printed on the top side of device.
3. For the label information :
 - 3.1 Part Number
 - 3.2 Serial number
 - 3.3 Operating frequency