

Travelling Merchant: _____

DATASHEET

Standard: **O79A-G319-48.00MHz-A**

P/N: _____

| Plot | | | The Label |
|------------------|---------|----------|------------------------|
| Drew | Audited | Approved | Stamp, please! Thanks! |
| | | | |
| Date: 2023.03.22 | | | |

Guangdong Dapu Telecom Technology Co.,Ltd

Building 5, No.24, Industrial East Road, Songshanhu Park, Dongguan, Guangdong, P.R. China

TEL: 0086-0769-88010888 FAX: 0086-0769-81800098



1. Electrical Parameters

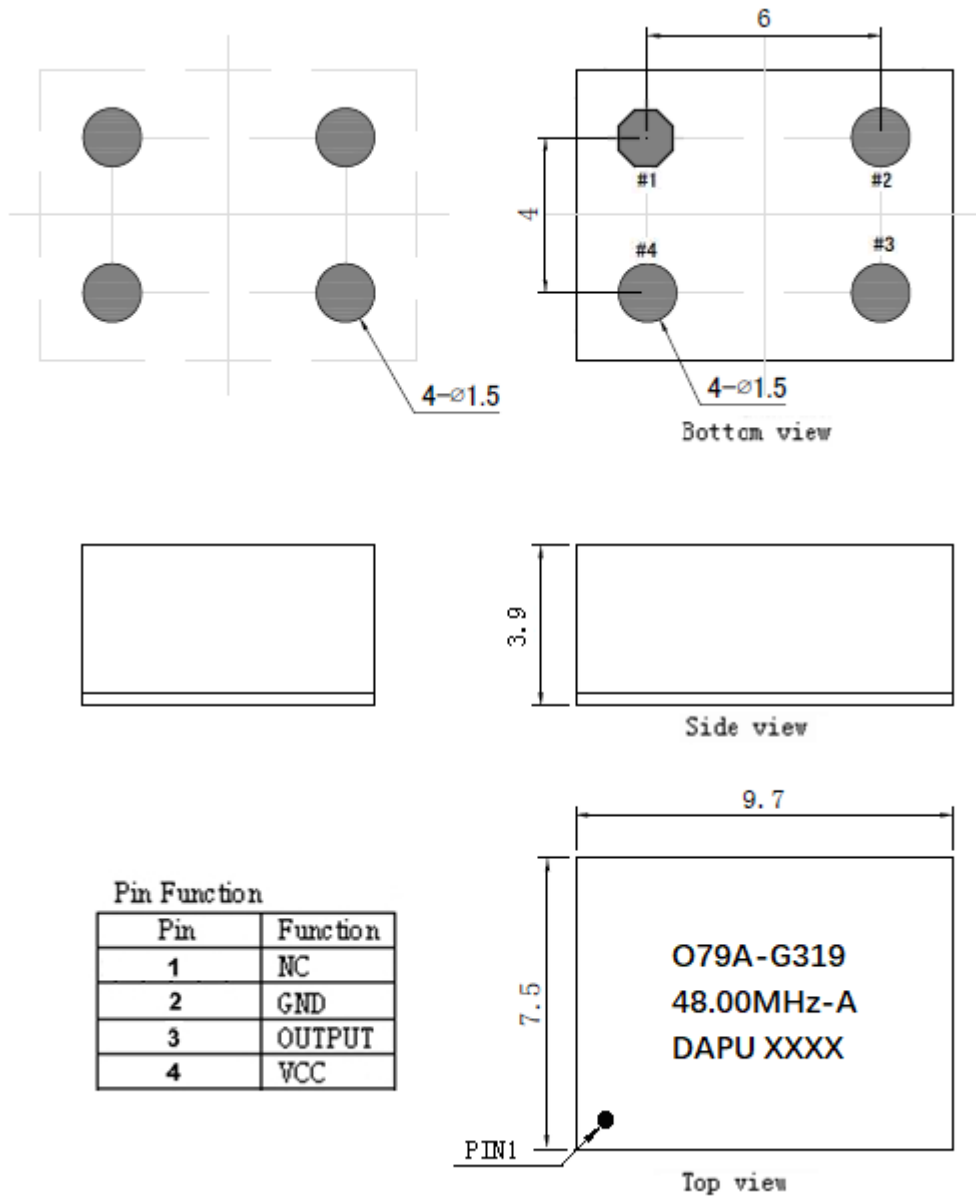
| MODEL: O79A-G319-48.00MHZ-A | | | | | | |
|-----------------------------|---|------------|------|-------|---------------------------------|---|
| Item | Description | Parameters | | | Unit | Test Condition |
| | | Min. | Typ. | Max. | | |
| Output | Frequency | 48.00 | | | MHz | |
| | Output Waveform | LVCMOS | | | | |
| | Output Low Voltage | | | 0.4 | V | $V_{cc}=3.3V, O_{load}=15\text{ pF}$ |
| | Output High Voltage | 2.4 | | | V | $V_{cc}=3.3V, O_{load}=15\text{ pF}$ |
| | Duty Cycle | 45 | 50 | 55 | % | @50% |
| | Rise / Fall Time (10%~90%) | | | 5 | ns | @25°C |
| | Load | 15 | | | pF | |
| Frequency Stabilities | Frequency Tolerance vs. Operating Temperature Range | -0.05 | | +0.05 | $\times 10^{-6}$ | T_A varied from -40°C to 95°C, measurement referenced to frequency observed with $f_{ref}=(f_{max}+f_{min})/2, V_{cc}=3.3V, O_{load}=15\text{ pF}$, temperature variable speed less than 2°C per minute. |
| | Initial Frequency Tolerance | -2 | | +2 | $\times 10^{-6}$ | Measurement referenced to frequency observed with $T_A=25^\circ\text{C}, V_{cc}=3.3V$ within 30 days after ex-works. |
| | Frequency Tolerance vs. Supply Voltage | -0.01 | | +0.01 | $\times 10^{-6}$ | measurement referenced to frequency observed $T_A=25^\circ\text{C}, V_{cc}$ varied from 3.13V to 3.47V, and $O_{Load}=15\text{ pF}$. |
| | Frequency Tolerance vs. Load | -0.01 | | +0.01 | $\times 10^{-6}$ | 5% load change measurement referenced to frequency observed with $T_A=25^\circ\text{C}, V_{cc}=3.3V, O_{Load}=15\text{ pF}$. |
| | Frequency Slope | -1.5 | | +1.5 | $\times 10^{-9}/^\circ\text{C}$ | Temperature ramp $\leq 1^\circ\text{C}/\text{minute}$ |
| | G-Sensitivity | | | 3 | $\times 10^{-9}/\text{G}$ | Gamma vector of all three axes from 30Hz to 1500Hz |
| | Reflow Shift | -0.5 | | +0.5 | $\times 10^{-6}$ | After 1 hour at 25°C |
| | Aging Tolerance Per Day | -8 | | +8 | $\times 10^{-9}$ | $T_A=25^\circ\text{C}, V_{cc}=3.3V$, and after 30 days of operation. |
| | Aging Tolerance 1 Year | -1 | | +1 | $\times 10^{-6}$ | |
| | Steady Consumption | | | 250 | mA | @25°C |
| | Warm Up Current | | | 460 | mA | |
| | Supply Voltage | 3.13 | 3.3 | 3.47 | V | |
| | Warm Up Time | | | 3 | Min | @25 °C within $\pm 0.05 \times 10^{-6}$ of final frequency with reference after 1 hour on. |



| | | | | | | |
|-----------------------------|--|---|------|------|--------|--------|
| Phase Noise | Phase Noise @25°C | | -60 | -50 | dBc/Hz | 1Hz |
| | | | -102 | -90 | | 10Hz |
| | | | -135 | -130 | | 100Hz |
| | | | -155 | -150 | | 1KHz |
| | | | -162 | -157 | | 10KHz |
| | | | -165 | -160 | | 100KHz |
| | | | -165 | -160 | | 1MHz |
| Environmental Conditions | Operable Temperature | -40 | | +95 | °C | |
| | Storage Temperature | -55 | | +105 | °C | |
| | ESD Level | Human Body Model,class2: 2000V to 4000V; ANSI/ESDA/JEDEC JS-001-2010. | | | | |
| | | Machine Model, class B: 200V to 400V; JEDEC JESD22-A115C. | | | | |
| | Moisture Sensitivity Level | Level 2. | | | | |
| | Vibration | Test Condition: 0.75mm ;acceleration:10g;10Hz~2000Hz, one cycle per 30 min, test 2 hour. (3 times for each 3 directions X ,Y , Z) .IEC 68-2-06 Test Fc. | | | | |
| Shock | 100g; 6ms; half sine wave (3 times for each 3 directions X ,Y, Z),IEC 68-2-27 Test Ea/Severity 50A. | | | | | |



2. Mechanical Structure(mm)



Note1: Tolerance $\pm 0.2\text{mm}$ without mark

Note2: The first two xx representative: week

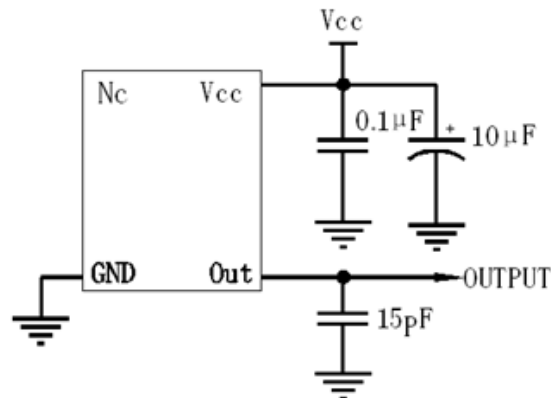
After two xx representative: year

Note3: Referential Weight 1.5g

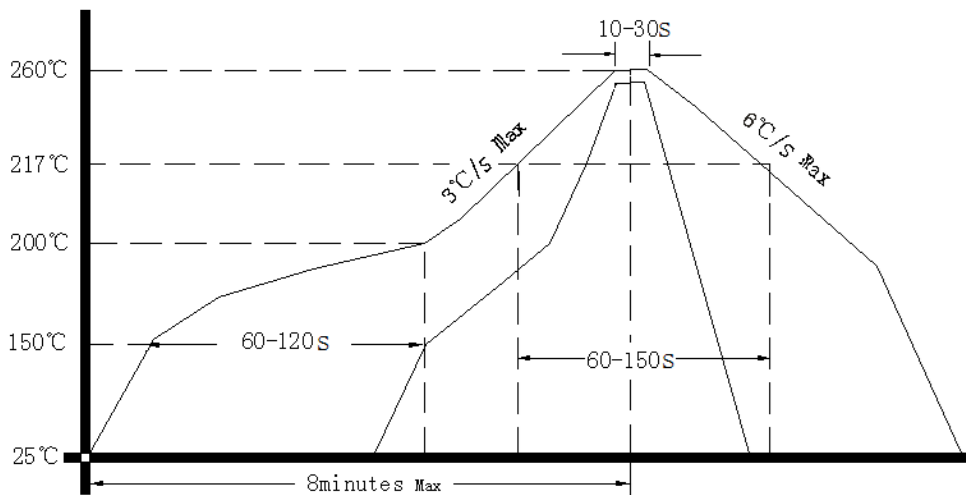
Note4: NC is not connect



3. Test circuit



4. Reflow Soldering Curve (RoHS)



Note: Passing through reflow upside down is not supported

5. Package: Tape & Reel (mm)

