

Travelling Merchant: _____

DATASHEET

Standard: JDP7C3333331

Plot			The Label
Drew	Audited	Approved	Stamp, please! Thanks!
Date: 2023.10.19			

Guangdong Dapu Telecom Technology Co.,Ltd

Building 5, No.24, Industrial East Road, Songshanhu Park, Dongguan, Guangdong, P.R. China

TEL: 0086-0769-88010888 FAX: 0086-0769-81800098

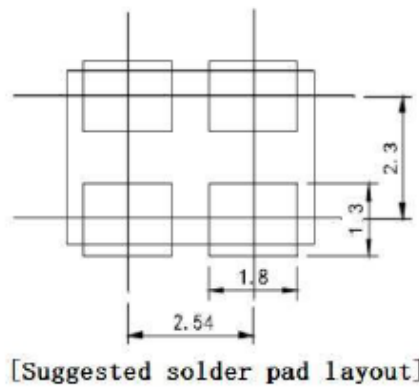
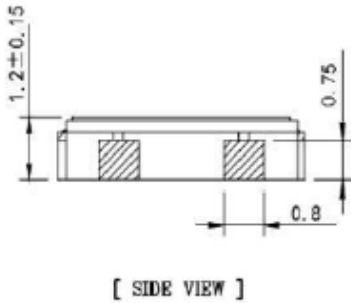
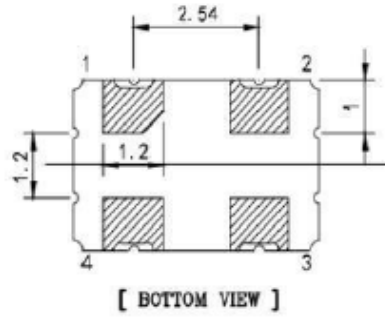
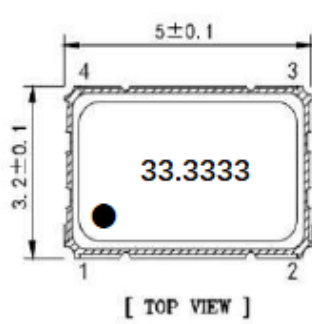


1、Electrical Parameters

MODEL: JDP7C3333331							
No.	Parameters	SYM.	Electrical Spec.				Notes
			Min.	Typ.	Max.	Units	
1	Nominal Frequency	FL	33.3333			MHz	
2	Initial Frequency Tolerance	-	-25	~	+25	$\times 10^{-6}$	
3	Frequency Tolerance vs. Operating Temperature Range	-	-50	~	+50	$\times 10^{-6}$	
4	Operating Temperature	Topr	-55	~	+125	$^{\circ}\text{C}$	
5	Storage Temperature	Tstg	-55	~	+125	$^{\circ}\text{C}$	
6	Supply Voltage	VDD	1.62	3.3	3.63	V	
7	Input Current	Icc	-	-	10	mA	
8	Output waveform	-	CMOS			-	
9	Output Load: CMOS	CL			15	pF	
10	Output Voltage High	VoH	90%Vdd	-	-	V	
11	Output Voltage Low	Vol	-	-	10%Vdd	V	
12	Rise/ Fall Time	Tr/ Tf	-	-	4	ns	10%~90%Vdd Level
13	Symmetry (Duty ratio)	TH/T	45	50	55	%	
14	Aging	-	-3		+3	$\times 10^{-6}/\text{yr.}$	First Year
15	Moisture Sensitivity Level	MSL1					



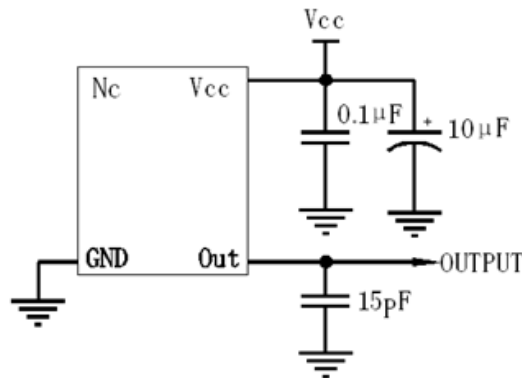
2、Mechanical Structure(mm)



Pin	Function
1	N/C
2	GND
3	Output
4	V _{DD}

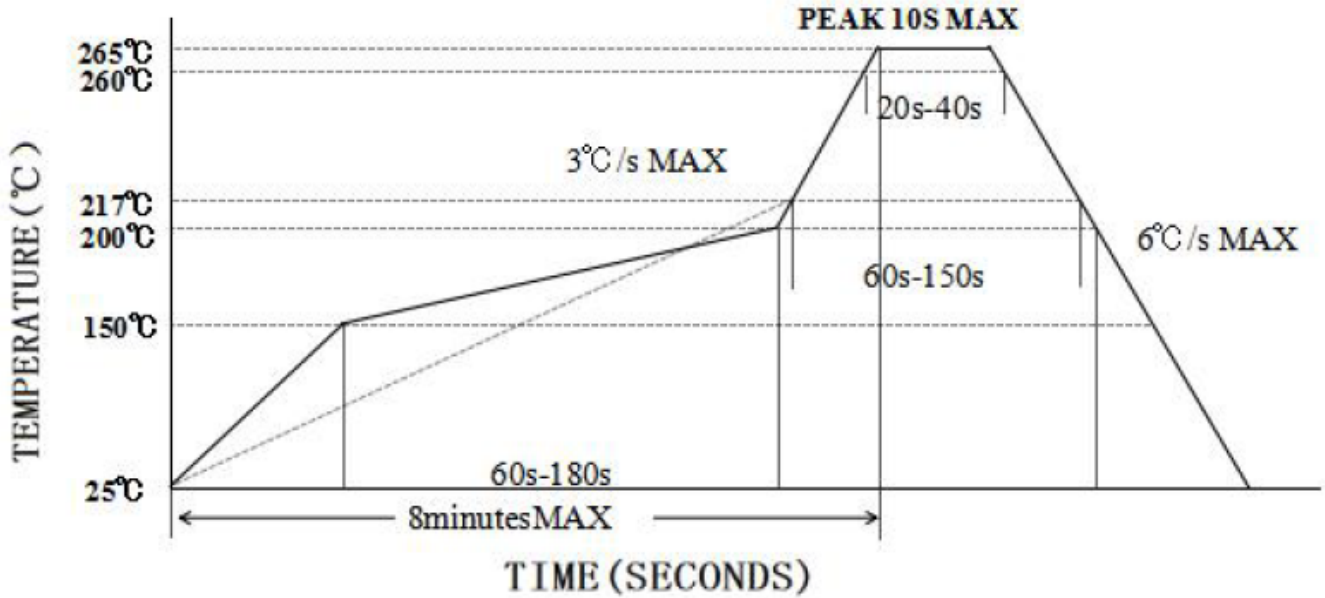
Note1:Tolerance ± 0.2 mm without mark

3、Test Circuit





4、Reflow Soldering Curve (RoHS)



5、Package: Tape & Reel (mm)

