

Travelling Merchant: \_\_\_\_\_

# DATASHEET

Standard: DPAM35328001

Plot			The Label
Drew	Audited	Approved	Stamp, please! Thanks!
Date: 2020.05.26			

**Guangdong Dapu Telecom Technology Co.,Ltd**

Bldg13-16,.N.Ind.Zone,SSL Industry Park, Dongguan City, Guangdong Province, China

TEL: 0086-0769-88010888 FAX: 0086-0769-81800098

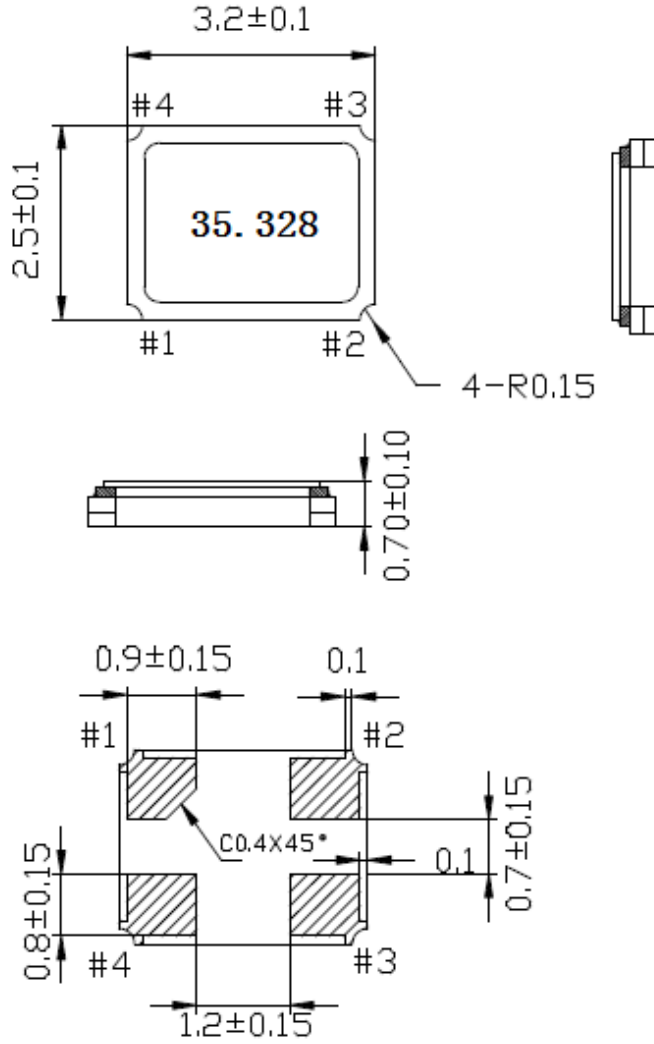


## 1、 Electrical Parameters

MODEL: DPAM35328001							
No.	Parameters	SYM.	Electrical Spec.				Notes
			Min.	Typ.	Max.	Units	
1	Nominal Frequency	FL	35.3280			MHz	
2	Mode of Vibration	-	Fundamental			-	
3	Load Capacitance	CL	12			pF	
4	Frequency Tolerance	-	-10	-	+10	$\times 10^{-6}$	at 25°C $\pm 3^\circ\text{C}$
5	Frequency Stability	-	-30	-	+30	$\times 10^{-6}$	Over Operating Temp.Range(Ref.to 25°C)
6	Aging	-	-3	-	+3	$\times 10^{-6}$	Per Year
7	Equivalent Series Resistance	ESR	-	-	30	$\Omega$	
8	Drive Level	DL	-	-	100	$\mu\text{W}$	
9	Shunt Capacitance C0	C0	-	-	3	pF	
10	Insulation Resistance	-	500	-	-	M $\Omega$	at DC 100V
11	Operating Temperature	-	-40	~	+85	$^\circ\text{C}$	
12	Storage Temperature Range	-	-40	~	+85	$^\circ\text{C}$	
13	ESD Level	Human Body Model,class2: 2000V to 4000V; ANSI/ESDA/JEDEC JS-001-2010					
		Machine Model, class B: 200V to 400V; JEDEC JESD22-A115C.					
14	Moisture Sensitivity Level	Level 2					
15	Vibration	Test Condition: 0.75mm ;acceleration:10g;10Hz~2000Hz, one cycle per 30 min, test 2 hour. (3 times for each 3 directions X, Y, Z). IEC 68-2-06 Test Fc.					
16	Shock	100g; 6ms; half sine wave (3 times for each 3 directions X ,Y, Z),IEC 68-2-27 Test Ea/Severity 50A.					

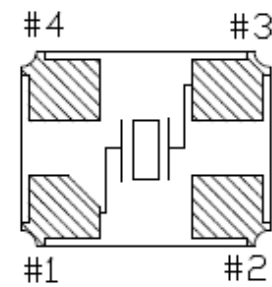


## 2、Mechanical Structure(mm)

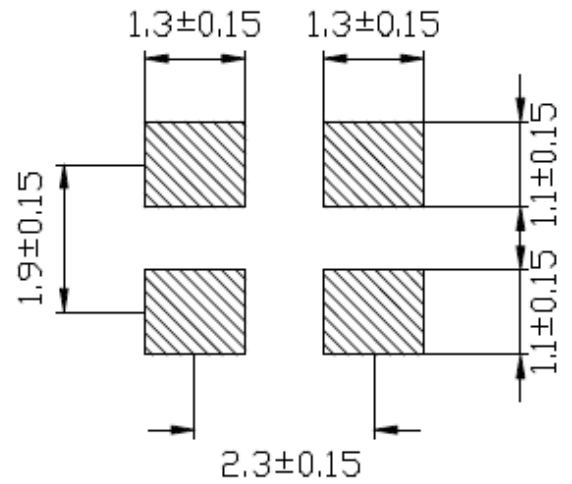


PIN CONNECT	
1,3	Crystal
2,4	GND

<TOP VIEW>



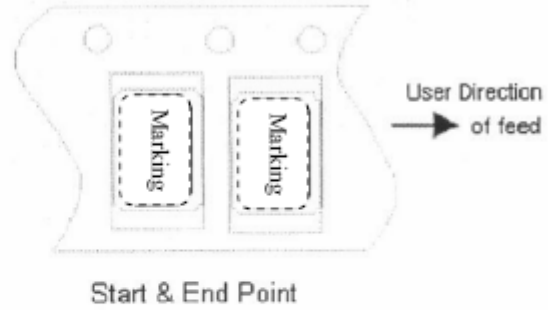
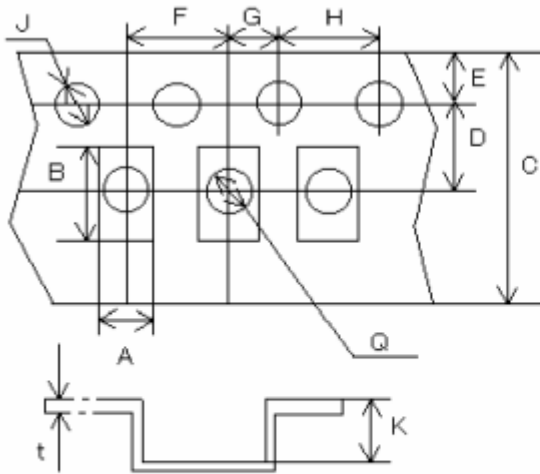
LAND PATTERN<REFERENCE>



Draft



### 3、 Package: Tape & Reel (mm)



A	B	C	D	E	F	G	H	J	K	t
2.7	3.4	8.0	3.5	1.75	4.0	2.0	4.0	1.55	1.4	0.25

DAPU Confidential