

Travelling Merchant: \_\_\_\_\_

# DATASHEET

Standard:     **T21-F319-25.00MHz**    

P/N: \_\_\_\_\_

Plot			The Label
Drew	Audited	Approved	Stamp, please! Thanks!
Date: 2022.11.04			

**Guangdong Dapu Telecom Technology Co.,Ltd**

Building 5, No.24, Industrial East Road, Songshanhu Park, Dongguan, Guangdong, P.R. China

TEL: 0086-0769-88010888 FAX: 0086-0769-81800098



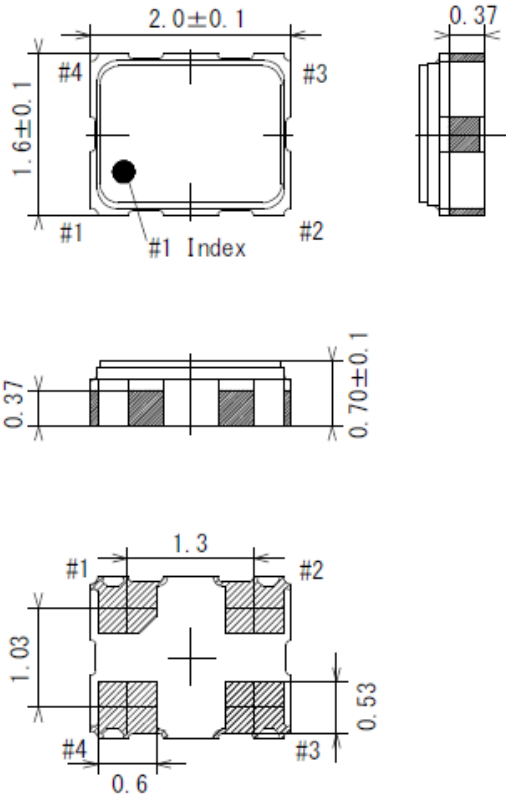


## 1. Electrical Parameters

MODEL: T21-F319-25.00MHz						
Item	Description	Parameters			Unit	Test Condition
		Min.	Typ.	Max.		
Output	Frequency	25.00			MHz	
	Output Waveform	CMOS				
	Low Level			V <sub>cc</sub> *0.1	V	
	High Level	V <sub>cc</sub> *0.9			V	
	Start up time			3	ms	@ 90% of final output voltage
	Rise/Fall time			5	ns	V <sub>cc</sub> *0.1~V <sub>cc</sub> *0.9
	Load			15	pF	
Input OE	Output enable time			3	ms	
	Output disable time			150	ns	
	Enable input	V <sub>cc</sub> *0.8			V	
	Disable input			V <sub>cc</sub> *0.2	V	
Frequency Stabilities	Frequency Tolerance	-1.5		+1.5	× 10 <sup>-6</sup>	Ref.to nominal frequency, leave after reflow in 8H or more at room ambient.
	vs. Temperature Range	-2.5		+2.5	× 10 <sup>-6</sup>	T <sub>A</sub> = -40°C~+85°C
	Frequency Tolerance vs. Supply Voltage	-0.5		+0.5	× 10 <sup>-6</sup>	5% Voltage change measurement referenced to frequency observed T <sub>A</sub> =25°C, and O <sub>Load</sub> =10KΩ//10pF.
	Aging Tolerance 1 Year	-1		+1	× 10 <sup>-6</sup>	T <sub>A</sub> =25°C, V <sub>cc</sub> =3.3V, and after 1h of operation.
	Operable Temperature	-40		+85	°C	
	Storage Temperature	-40		+85	°C	
Power Supply	Operating Current			5	mA	@25°C, V <sub>cc</sub> =3.3V.
	Stand-by Current			10	μA	#1 pin low level
	Supply Voltage	3.135	3.3	3.465	V	



## 2. Mechanical Structure(mm)



### Pin Connections

Pin No.	Connection
#1	O.E.(Output Enable)
#2	GND
#3	Output
#4	V <sub>cc</sub>

### Function

OE(#1) input	#3 output condition
"H"	Oscillation out
"L"	High Z

unit: mm

Dimensional Tolerance: ±0.1

(Unless otherwise noted)

## 3. Waveform

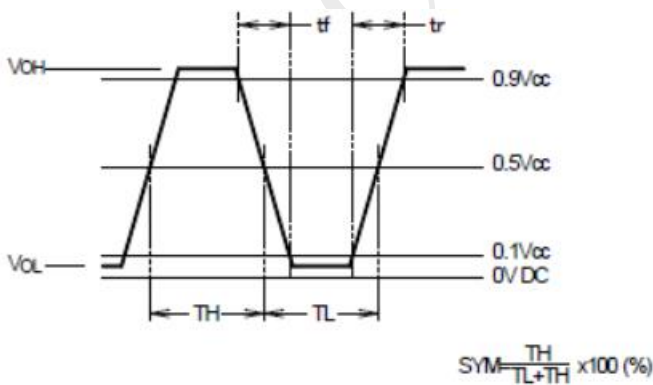


Fig1. Output Waveform

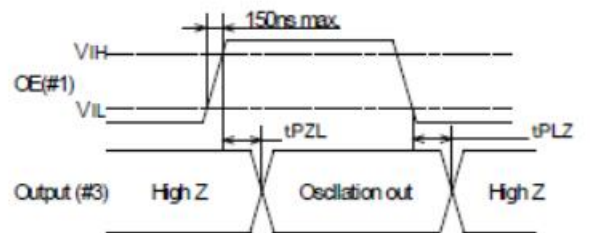
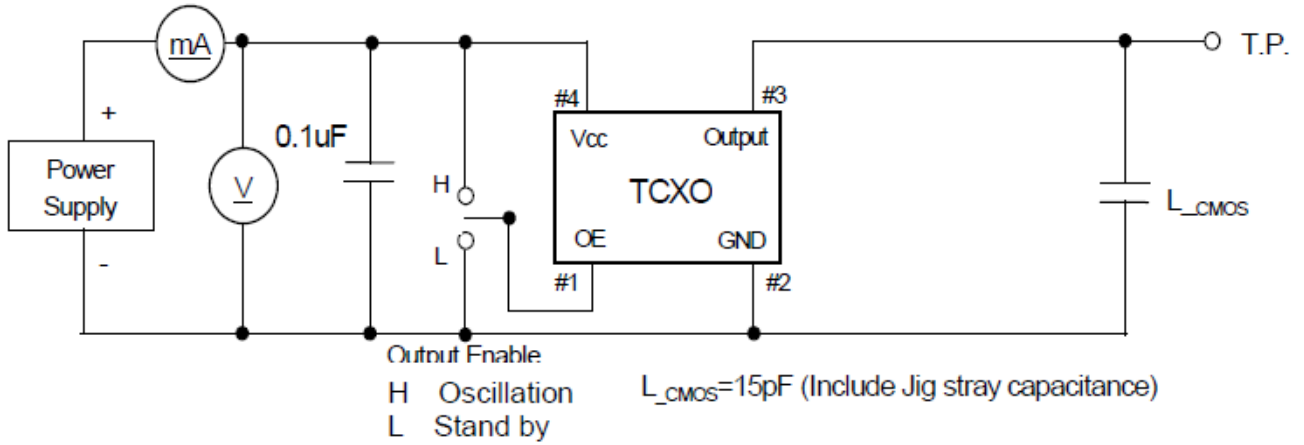


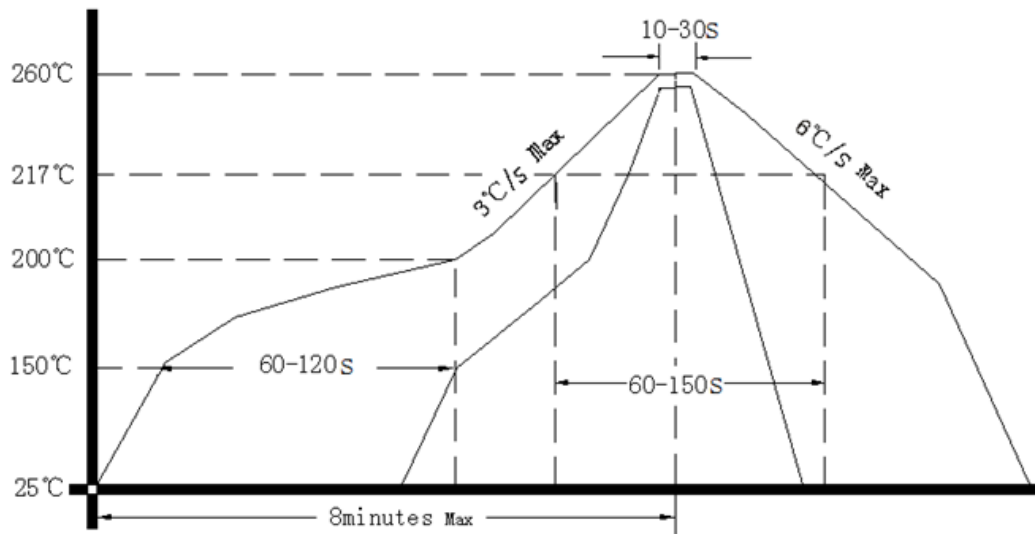
Fig2. Input output condition



#### 4. Test Circuit



#### 5. Reflow Soldering Curve (RoHS)



#### 6. Package: Tape & Reel (mm)

