

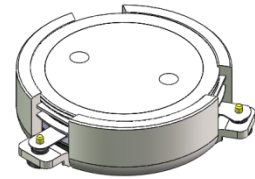


## DP2301C

### ENG PART:DP-27CM-859T894-CW

859MHz to894MHz Single-Junction Surface Mount Circulator

REV.	DESCRIPTION	REVISOR	DATE	APPROVED
A	Creating datasheet	ZZ.Zhu	2022/12/12	Nick

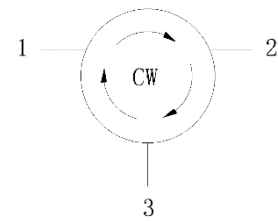


#### Applications:

- Wireless Infrastructure
- Power Amplifier

#### Features:

- Operating frequency range:859MHz to 894MHz
- Operating temperature range: -40°C to +125°C
- Storage temperature range: -50°C to +150°C
- BeOfree&RoHS compliant



Block Diagram



### Electrical Specifications:

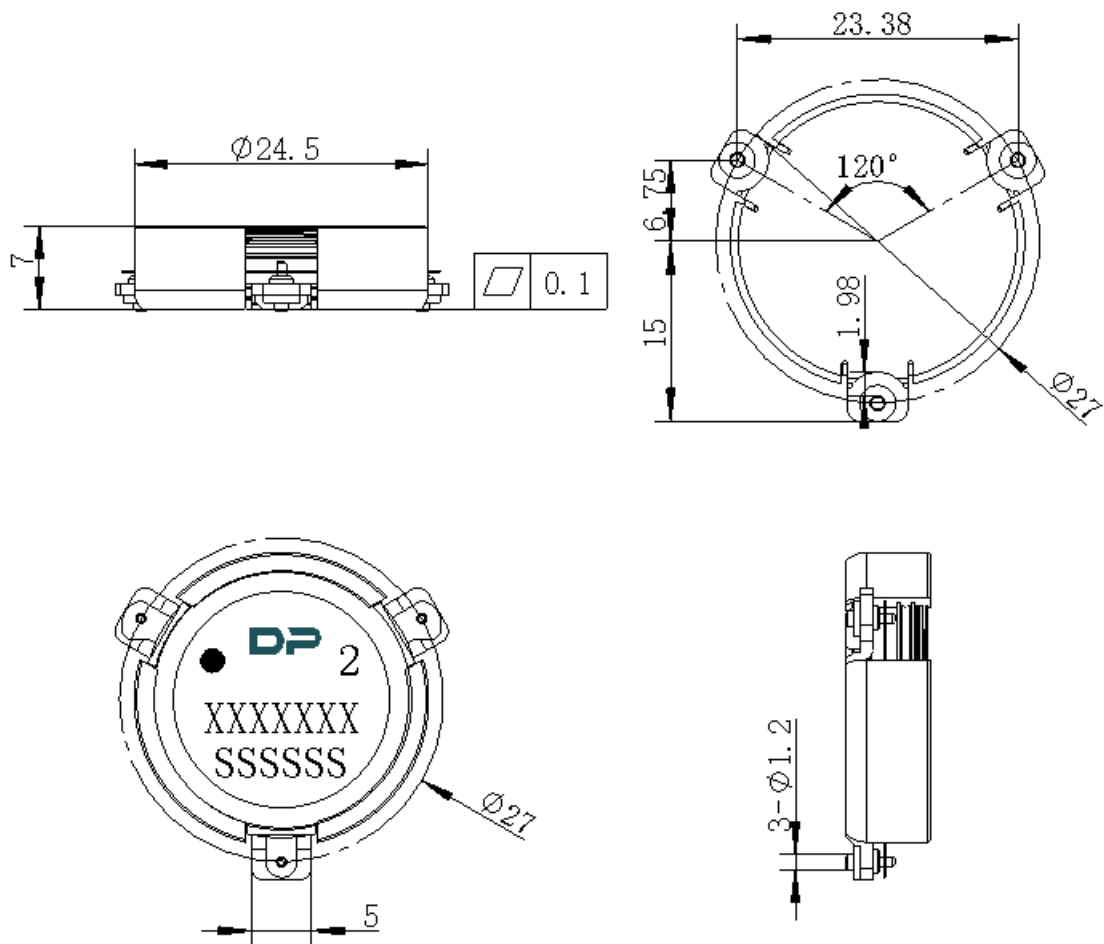
ITEM	SPECIFICATION	
Frequency	859~894	MHz
Direction	CW	
Impedance	Typ: 50	$\Omega$
Insertion Loss (Max.)	0.25@25±10°C 0.28@-40~+125°C	dB
Isolation (Min.)	24@25±10°C 22@-40~+125°C	dB
Return Loss (Min.)	24@25±10°C 22@-40~+125°C	dB
Power FWD/REV/PEAK	250/-/1000	W
IMD (Max.)	-70@2X50W tones, Spacing 5MHz	dBc
Out Band Resonance	Resonance point away 759MHz-994MHz@-40~+125°C	
Input Impedance ,real	45~55@-40~+125°C	$\Omega$
Input Impedance ,imaginary	-7j~+7j@-40~+125°C	$\Omega$
Termination/Attenuator	/	W/dB

Notes:

1. Exposure to maximum rating conditions for extended periods may reduce device reliability. There is no damage to device with only one parameter set at the limit and all other parameters set at or below their nominal value. Exceeding any of the limits listed here may result in permanent damage to the device.
2. Performance is guaranteed under the conditions listed in this table and over the operating temperature range.



### Mechanical Specifications:



Unit: Millimeters

#### Notes:

1. The housing and pins are silver-plated.
2. Tolerance  $\pm 0.2$  mm unless otherwise specified.
3. Co-planarity Specification: 0.1 mm maximum.
4. Part Number, Lot Code, and Port Designation are printed on the top side of device.
5. The XXXXXXX on the label represents the part number
6. The SSSSS on the label represents the serial number
7. The black dot on the label represents the input port