

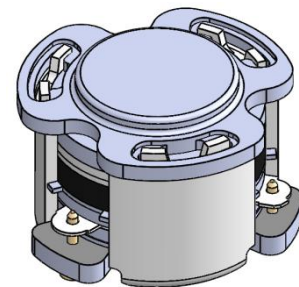


DP2602C

ENG PART:DP-7CM-2300T2400-CCW

2300MHz to 2400MHz Single-Junction Surface Mount Circulator

REV.	DESCRIPTION	REVISOR	DATE	APPROVED
A	SAME AS REV.1	ZC.Wu	2023/5/19	Nick

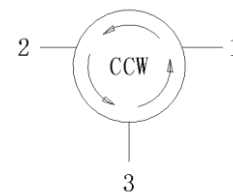


Applications:

- Wireless Infrastructure
- Power Amplifier

Features:

- Operating frequency range: 2300MHz to 2400MHz
- Operating temperature range: -40°C to +120°C
- Storage temperature range: -65°C to +150°C
- Small surface-mount package delivered on T&R
- BeOfree&RoHS compliant



Block Diagram



Electrical Specifications:

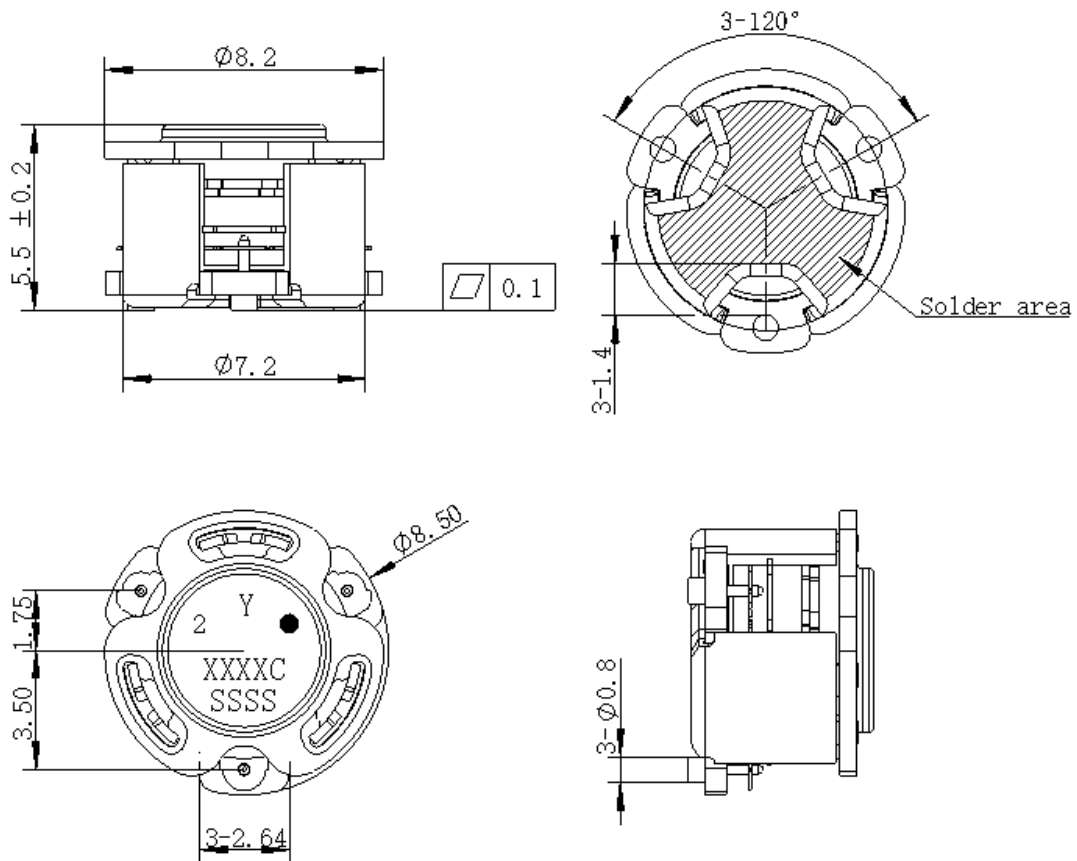
ITEM	SPECIFICATION	
Frequency	2300~2400	MHz
Extend Frequency	2100-2600	MHz
Direction	CCW	
Impedance	Typ: 50	Ω
Insertion Loss (Max.)	0.23@25°C \pm 10°C 0.27@-40~+120°C	dB
Isolation (Min.)	21 8@2100-2600MHz	dB
Return Loss (Min.)	22	dB
3rd IMD (Max.)	-60	dBc
Group delay	2	ns
2nd harmonic attenuation	20@25°C 15@-40~+120°C	dB
3rd harmonic attenuation	8	dB
Power FWD/REV/PEAK	25/-/200	W
Resonance point of out off band	2100MHz-2600MHz	W/dB
Input Impedance ,real	48~54 (typ. 52) @2300 MHz 43~49 (typ. 46) @2350 MHz 42.5~48.5 (typ. 45.5) @2400 MHz	Ω
Input Impedance ,imaginary	-8j ~0j @2300 MHz -5j~+3j @2350 MHz -4j~+4j @2400 MHz	Ω

Notes:

1. Exposure to maximum rating conditions for extended periods may reduce device reliability. There is no damage to device with only one parameter set at the limit and all other parameters set at or below their nominal value. Exceeding any of the limits listed here may result in permanent damage to the device.
2. Performance is guaranteed under the conditions listed in this table and over the operating temperature range.
3. Performance will not degrade by > 10% (Insertion loss > 20%) with the operating temperature up to 130 °C.
4. **The two materials cannot absorb each other within a distance of 16mm (Center distance)**



Mechanical Specifications:



Unit: Millimeters

Notes:

1. The housing and pins are silver-plated.
2. Tolerance $\pm 0.2\text{mm}$ unless otherwise specified.
3. Co-planarity Specification: 0.1mm maximum.
4. PartNumber, Lot Code, and Port Designation are printed on the top side of device
5. The "Y" show on the label represents the producing year, when printing the producing year, A stands for 2022, B for 2023, C for 2024, and soon (reference DP's file WDPT PD-003).
6. The **XXXXC** on the label represents the last five digits of the PartNumber
7. The SSSS on the label represents the serial number
8. The black dot on the label represents the input port



Packaging Style:

ITEM	W	A0	B0	C0	K0	D	E	F	F2	P	P0	P2	T
DIM	24	Φ7.4	9.2	2.7	6.0	Φ1.5	1.75	11.5	-	16	4	2	0.5
TOLE	±0.2	±0.2	±0.2	±0.2	±0.2	+0.1	±0.1	±0.15	±0.1	±0.1	±0.1	±0.1	±0.05

