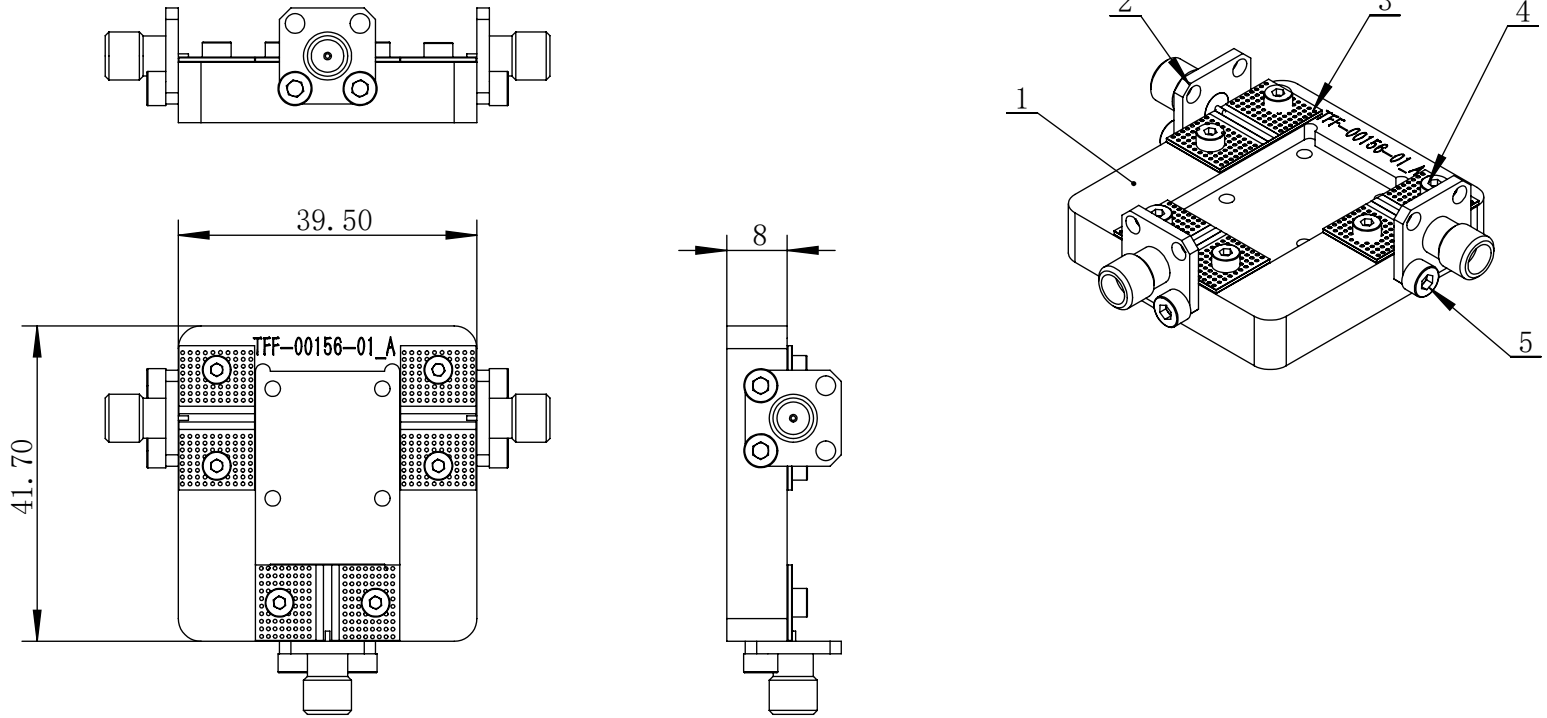


**RoHS COMPLIANT**

REVISIONS				
REV.	ECN NO.	DESCRIPTION	DATE	REVSIOR
A	-	Producing release	2023/7/28	ZC. Wu



项目号	零件号	说明	数量
1	TFF-00156-01	TEST FIXTURE	1
2	con-00004	CONNECTOR SMA-F	3
3	PCB-00064	PCB	3
4	SCR-00012	M2X6内六角螺丝	6
5	SCR-00008	M2.5X6内六角螺丝	6

PART NAME: <b>测试夹具</b>	Designed:	ZC. Wu	2023/7/28		
	Checked:	ZC. Wu	2023/7/28		
DRAWING NO. : <b>TFF-00156</b>	Approval:	KL. Wang	2023/7/28	TOLERANCES ON	
	The first angle projection:				
DESCRIPTION: <b>Test Fixture</b>	Sheet 1 of 1			DECIMALS	ANGLES
	Scale: 1:1	Unit: mm	-	±0.20	±0.5°