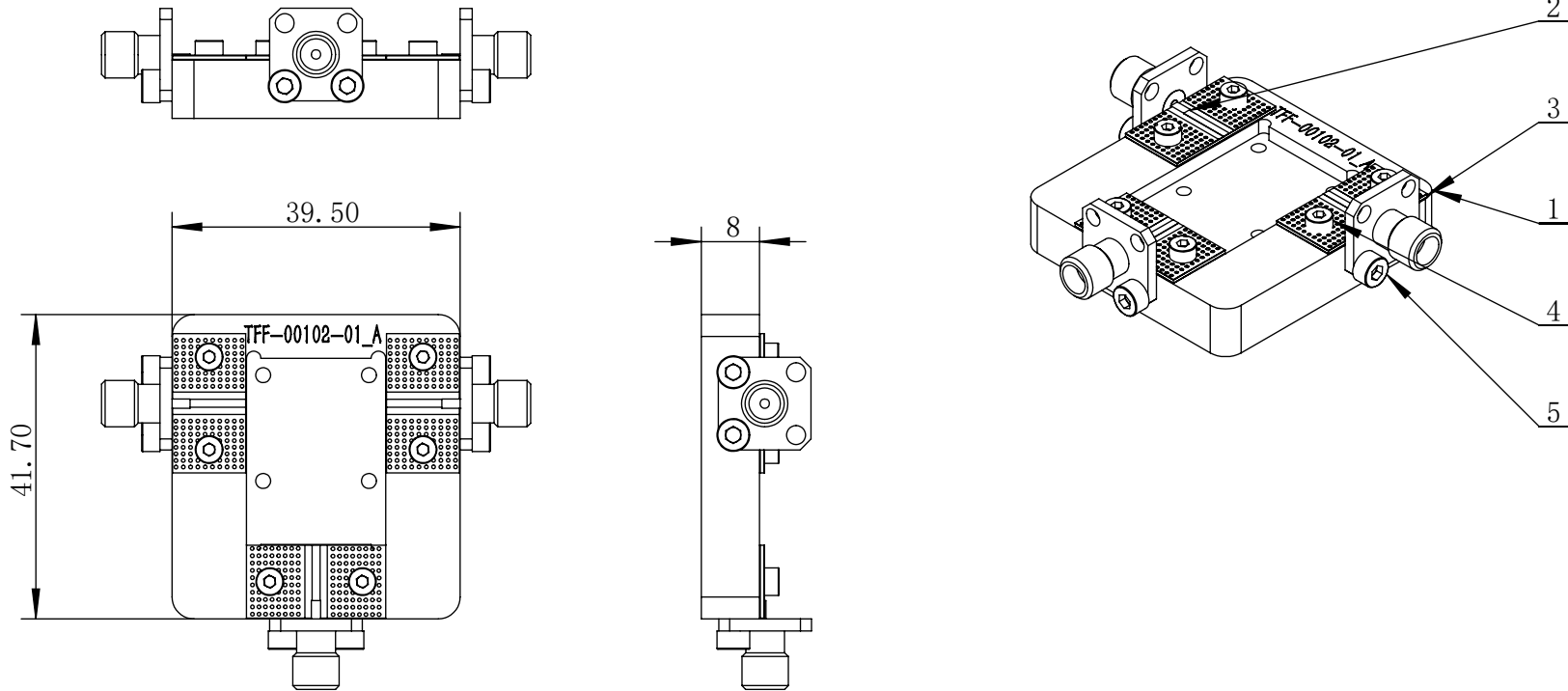


RoHS COMPLIANT

REVISIONS				
REV.	ECN NO.	DESCRIPTION	DATE	REVSIOR
A	-	Producing release	2023/5/11	ZZ. Zhu



项目号	零件号	说明	数量
1	TFF-00102-01	TEST FIXTURE	1
2	CON-00001	CONNECTOR SMA-F	3
3	PCB-00064	PCB	3
4	SCR-00012	M2X6内六角螺丝	6
5	SCR-00008	M2.5X6内六角螺丝	6

PART NAME: 测试夹具	Designed:	ZZ. Zhu	2023/5/11		
	Checked:	ZC. Wu	2023/5/11		
DRAWING NO. : TFF-00102	Approval:	KL. Wang	2023/5/11	TOLERANCES ON	
	The first angle projection:				DECIMALS
DESCRIPTION: Test Fixture	Sheet 1 of 1			±0.20	±0.5°
	Scale: 1:1	Unit: mm	-		