

Customer Code : _____

DATASHEET

DAPU P/N: DPBA15625009

Plot			The Label
Drew	Audited	Approved	Stamp, please! Thanks!
Date : 2023.08.15			

Guangdong Dapu Telecom Technology Co.,Ltd

Building 5, No.24, Industrial East Road, Songshanhu Park, Dongguan, Guangdong, P.R. China

TEL : 0086-0769-88010888 FAX : 0086-0769-81800098

Specification No.: 1.1

Customer Signature :

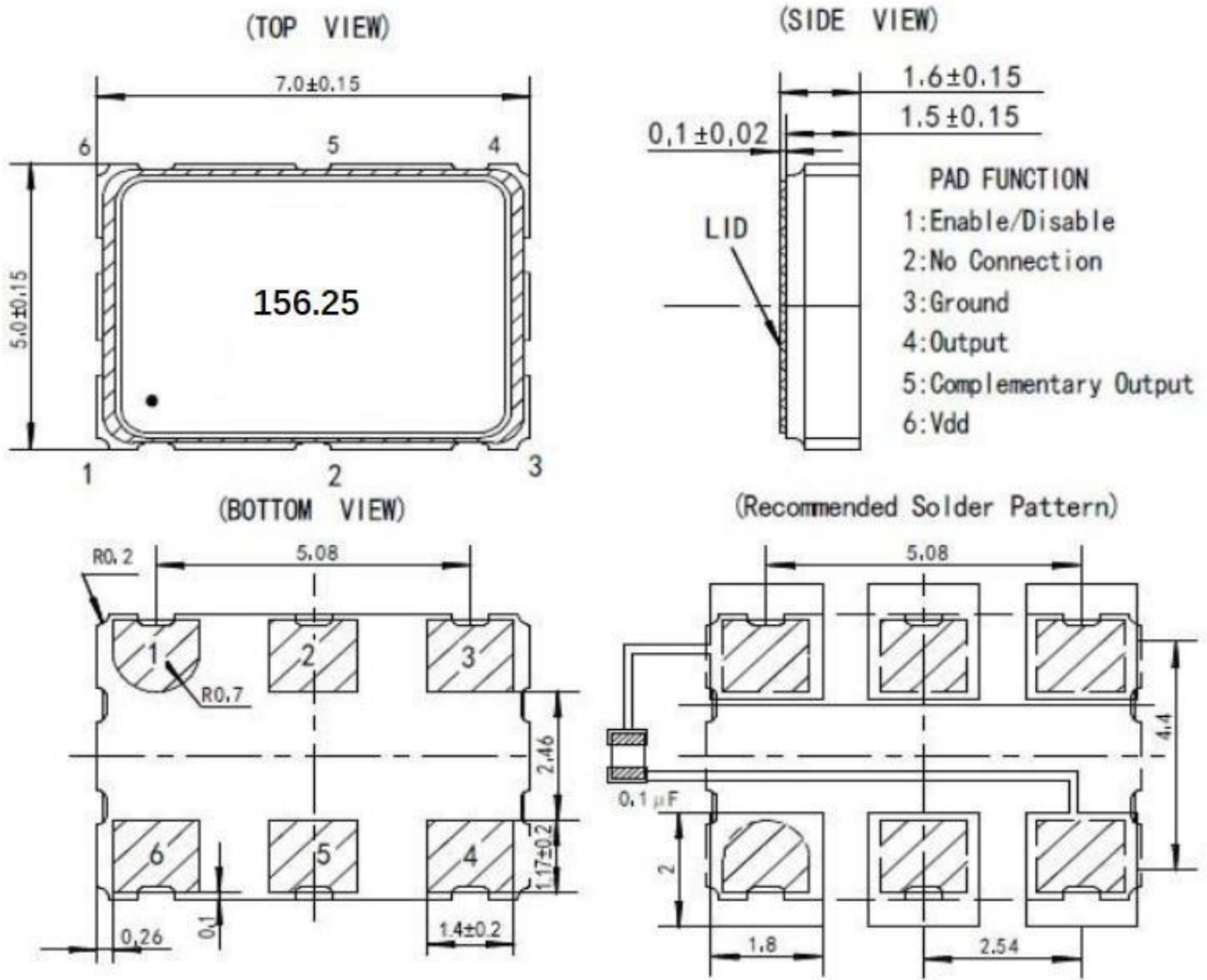
Page 1/4



1、Electrical Parameters

MODEL : DPBA15625009							
No.	Parameters	SYM.	Electrical Spec.				Notes
			Min.	Typ.	Max.	Units	
1	Nominal Frequency	FL	156.25			MHz	
2	Output Waveform		LVPECL				
3	Vibration Mode		3rd				
4	Total Stability	F-stab	-30		+30	ppm	Inclusive of frequency tolerance@25°C and frequency stability vs. operating temperature range and voltage.
5	Operating Temperature	T-opr	-40	+25	+85	°C	
6	Storage Temperature	T-stg	-55	~	+125	°C	
7	Supply Current	I _{cc}			70	mA	
8	Start up Time	T _{start}			10	ms	
9	Rise/Fall Time	Tr、Tf			0.4	ns	20%~80%
10	Duty Cycle	DC	45		55	%	@ V _{DD} -1.3V
11	Supply Voltage	V _{DD}	2.97	3.3	3.63	V	
12	Maximum Supply Voltage Range	V _{DD}	-0.5		5.0	V	
13	“H” Input Voltage	V _{IH}	0.7 V _{DD}			V	
14	“L” Input Voltage	V _{IL}			0.3 V _{DD}	V	
15	Output Voltage “L”Level	V _{OL}	V _{cc} -1.810		V _{cc} -1.62	V	R _L =50Ω to(V _{CC} -2V)
16	Output Voltage “H”Level	V _{OH}	V _{cc} -1.025		V _{cc} -0.88	V	
17	E/D	Logic “1”or Floating input, Outputs enable, logic “0”, Outputs disable.					
18	Supply Variation		-2		+2	ppm	V _{cc} +/-5%
19	Load Variatin		-2		+2	ppm	CL+/-5%
20	Aging		-5		+5	ppm	1year@25°C
21	Phase Noise	10Hz			-60	dBc	
		100Hz			-90	dBc	
		1KHz			-125	dBc	
		10KHz			-140	dBc	
		100KHz			-148	dBc	
		1MHz			-152	dBc	
22	Phase Jitter	RMS			0.3	ps	12kHz ~ 20MHz

2. Mechanical Structure(mm)



3. TEST CIRCUIT

