

Travelling Merchant: _____

DATASHEET

Standard: **T1612-P573-26.00MHz**

P/N: _____

Plot			The Label
Drew	Audited	Approved	Stamp, please! Thanks!
Date: 2020.11.26			

Guangdong Dapu Telecom Technology Co.,Ltd

Bldg13-16,.N.Ind.Zone,SSL Industry Park, Dongguan City, Guangdong Province, China

TEL: 0086-0769-88010888 FAX: 0086-0769-81800098



1. Electrical Parameters

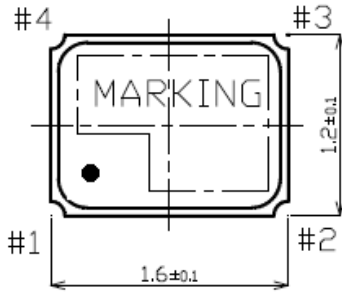
MODEL: T1612-P573-26.00MHz						
Item	Description	Parameters			Unit	Test Condition
		Min.	Typ.	Max.		
Output	Frequency	26.00			MHz	
	Output Waveform	Clipped Sine Wave				
	Vp-p	0.8			V	
	Load	10KΩ//10pF				
Frequency Stabilities	With respect to Temperature	-0.5		+0.5	$\times 10^{-6}$	-30°C to 85°C, @25°C +/-2°C.
	Nominal Frequency Tolerance	-2		+2	$\times 10^{-6}$	Measurement referenced to frequency observed with T _A =25°C +/-2°C, V _{cc} =1.8V, V _c =0.9V within 30 days after ex-works.
	Frequency Tolerance vs. Supply Voltage	-0.1		+0.1	$\times 10^{-6}$	measurement referenced to frequency observed T _A =25°C +/-2°C, V _{cc} varied from 1.7V to 1.9V, V _c =0.9V and O _{Load} =10KΩ//10pF.
	Frequency Tolerance vs. Load	-0.1		+0.1	$\times 10^{-6}$	10% load change measurement referenced to frequency observed with T _A =25°C +/-2°C, V _{cc} =1.8V, V _c =0.9V and O _{Load} =10KΩ//10pF .
	Aging Tolerance 1 Year	-1		+1	$\times 10^{-6}$	@25°C +/-2°C.
Phase Noise	Phase Noise			-113	dBc/Hz	100Hz
				-136		1KHz
				-149		10KHz
				-151		100KHz
				-151		1MHz
Power Supply	Operating Current			1.5	mA	@25°C +/-2°C.
	Supply Voltage	1.68	1.8	3.63	V	Operating



Voltage Control	Frequency tuning range			-8	$\times 10^{-6}$	$V_c=0.1V$. measurement referenced to $V_c=0.9V$.
		-2		+2	$\times 10^{-6}$	$V_c=0.9V$. measurement referenced to Exactly 26.00MHz.
		+8			$\times 10^{-6}$	$V_c=1.7V$. measurement referenced to $V_c=0.9V$.
	Linearity	-20		+20	%	
	Slope	Positive				
	Input Impedance	500			K Ω	
Environmental Conditions	Operable Temperature	-30		+85	$^{\circ}C$	
	Storage Temperature	-40		+85	$^{\circ}C$	
	ESD Level	Human Body Model,class2: 2000V to 4000V; ANSI/ESDA/JEDEC JS-001-2010.				
		Machine Model, class B: 200V to 400V; JEDEC JESD22-A115C.				
	Moisture Sensitivity Level	Level 2.				
	Vibration	Test Condition: 0.75mm ;acceleration:10g;10Hz~2000Hz, one cycle per 30 min, test 2 hour. (3 times for each 3 directions X , Y , Z) .IEC 68-2-06 Test Fc.				
Shock	100g; 6ms; half sine wave (3 times for each 3 directions X , Y , Z),IEC 68-2-27 Test Ea/Severity 50A.					
Full Package Storage	Relative humidity (%)	20%~70%				
	Temperature ($^{\circ}C$)	-10~35 $^{\circ}C$				

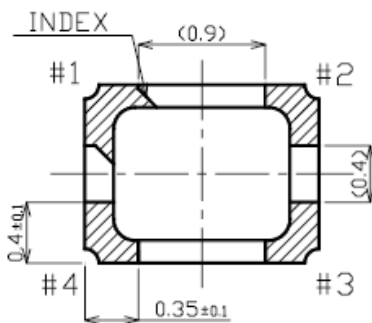


2. Mechanical Structure(mm)



Marking

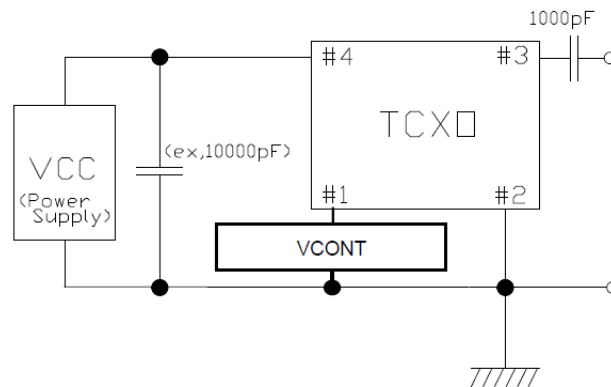
- (1) Lot No.
- (2) Manufacture Code
- (3) Nominal frequency (MHz)
- (4) Trace code



PAD No.	Terminal land Connections
#1	VCONT
#2	GND
#3	OUTPUT
#4	VCC

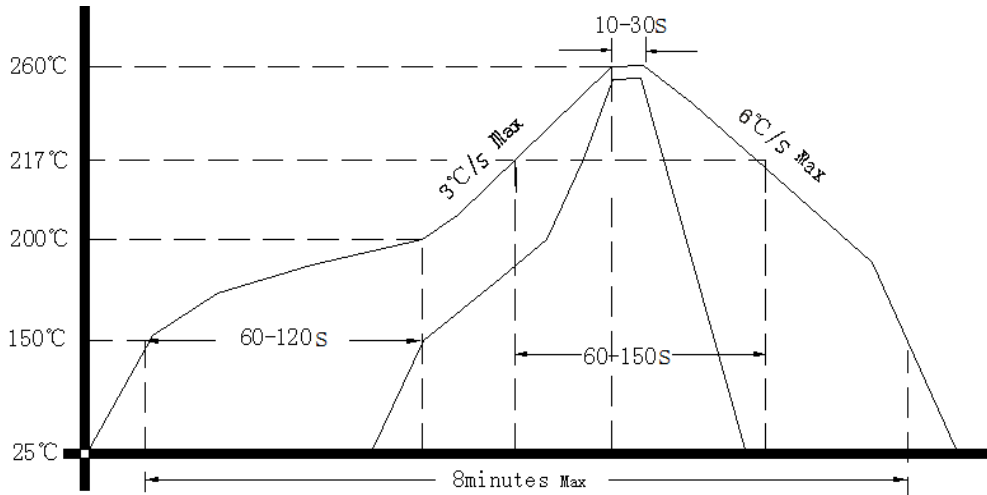
Note1: Tolerance ±0.1mm without mark

3. Test Circuit



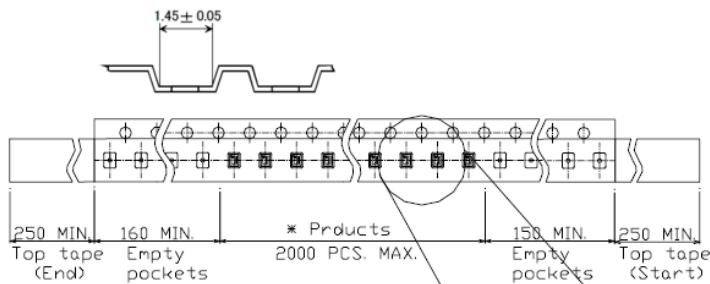
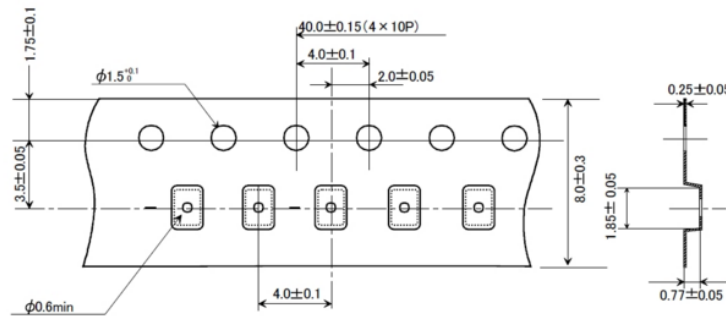


4. Reflow Soldering Curve (RoHS)

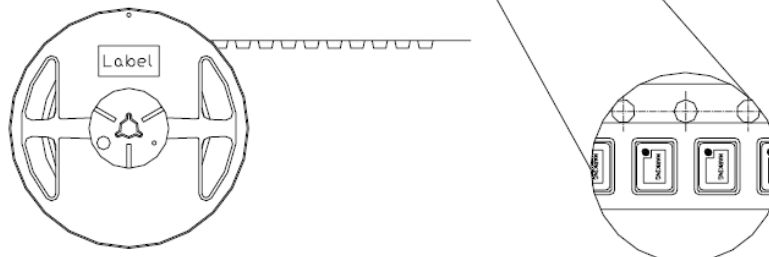


Note: If soldering with a hot air gun, ensure the temperature <320°C , soldering time <15 seconds.

5. Package: Tape & Reel (mm)



* There are no vacant pockets for this area.



	Embossed carrier tape	Top cover tape
Materials	PS	PET + PE + Adhesive layer
Disposition	Antistatic	Antistatic