

Travelling Merchant: \_\_\_\_\_

# DATASHEET

Standard: **DPAT80000003**

| Plot             |         |          | The Label              |
|------------------|---------|----------|------------------------|
| Drew             | Audited | Approved | Stamp, please! Thanks! |
| Jack             | David   | William  |                        |
| Date: 2023.05.04 |         |          |                        |

## Guangdong Dapu Telecom Technology Co.,LTD

Building 5, No.24, Industrial East Road, Songshanhu Park, Dongguan, Guangdong, P.R. China

TEL: 0086-0769-88010888 FAX: 0086-0769-81800098

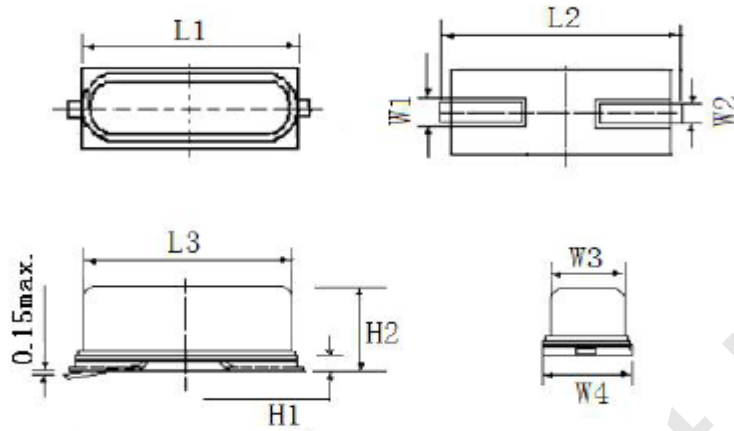


## 1. Electrical Parameters

| MODEL: DPAT80000003 |                           |      |                  |      |      |                  |                      |
|---------------------|---------------------------|------|------------------|------|------|------------------|----------------------|
| No.                 | Parameters                | SYM. | Electrical Spec. |      |      |                  | Notes                |
|                     |                           |      | Min.             | Typ. | Max. | Units            |                      |
| 1                   | Nominal Frequency         | FL   | 8.00             |      |      | MHz              |                      |
| 2                   | Oscillation Mode          | -    | Fundamental      |      |      | -                | AT-CUT               |
| 3                   | Load Capacitance          | CL   | 16               |      |      | pF               |                      |
| 4                   | Frequency Tolerance       | FL   | -30              |      | +30  | $\times 10^{-6}$ | 25°C                 |
| 5                   | Frequency Stabilities     | TC   | -50              |      | +50  | $\times 10^{-6}$ | T <sub>A</sub> =25°C |
| 6                   | Resonant Resistance       | RR   |                  |      | 40   | $\Omega$         |                      |
| 7                   | Aging                     | -    | -5               |      | +5   | $\times 10^{-6}$ | First Year           |
| 8                   | Drive Level               | DL   |                  | 100  | 500  | $\mu$ W          |                      |
| 9                   | Insulation Resistance     | -    | 500              | -    | -    | M $\Omega$       | At DC 100V           |
| 10                  | Shunt Capacitance         | C0   |                  |      | 7    | pF               |                      |
| 11                  | Operating Temperature     | -    | -40              |      | +85  | °C               |                      |
| 12                  | Storage Temperature Range | -    | -40              |      | +125 | °C               |                      |



### 2. Mechanical Structure(mm)

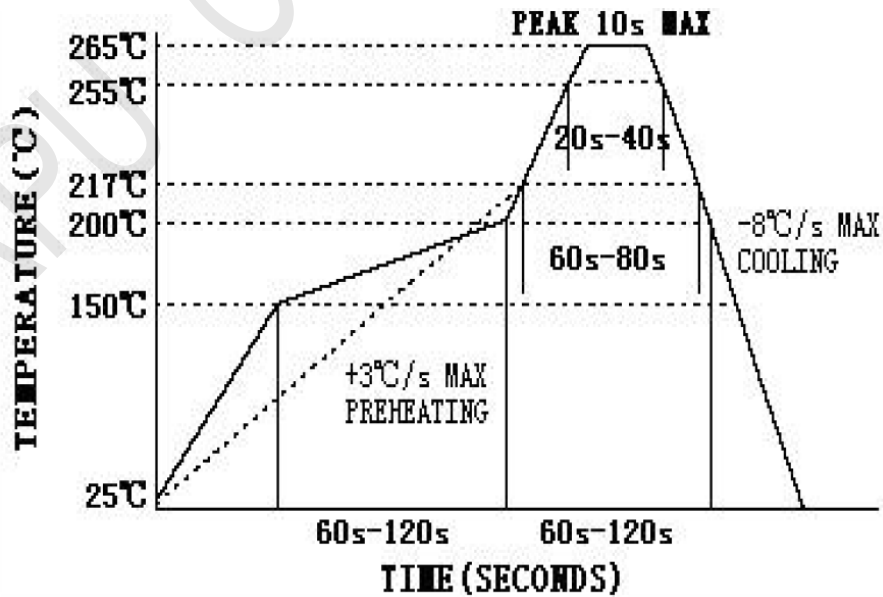


|          |          |          |           |         |
|----------|----------|----------|-----------|---------|
| L1       | L2       | L3       | H1        | H2      |
| 11.4±0.3 | 12.6±0.3 | 9.85±0.2 | 0.55±0.05 | 3.8±0.3 |
| W1       | W2       | W3       | W4        |         |
| 0.95±0.2 | 0.75±0.2 | 3.5±0.2  | 4.7±0.2   |         |

#### Marking:

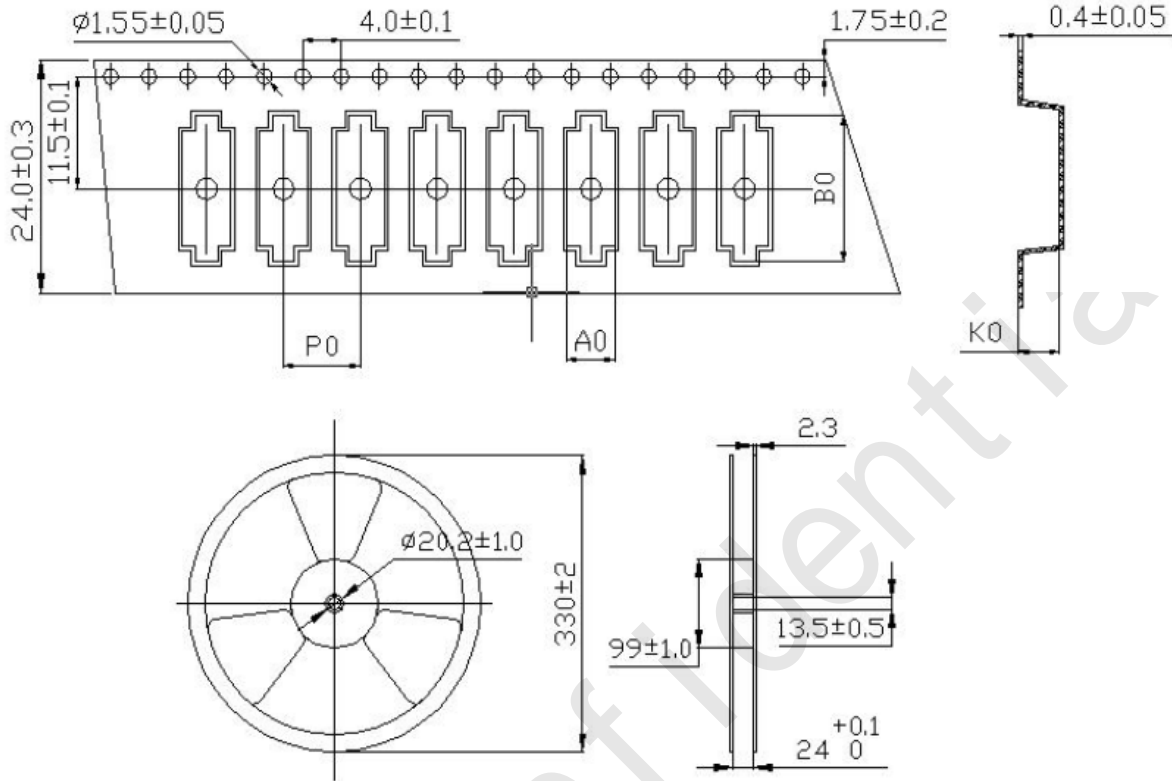


### 3. Reflow Soldering Curve (RoHS)





#### 4. Reflow Soldering Curve (RoHS)



| $A_0$         | $B_0$          | $P_0$         | $K_0$          |
|---------------|----------------|---------------|----------------|
| $5.0 \pm 0.1$ | $15.0 \pm 0.1$ | $8.0 \pm 0.1$ | $4.25 \pm 0.2$ |