

Travelling Merchant: _____

DATASHEET

Standard: DPAT13000006

Plot			The Label
Drew	Audited	Approved	Stamp, please! Thanks!
Jack	David	William	
Date: 2023.05.04			

Guangdong Dapu Telecom Technology Co.,LTD

Building 5, No.24, Industrial East Road, Songshanhu Park, Dongguan, Guangdong, P.R. China

TEL: 0086-0769-88010888 FAX: 0086-0769-81800098

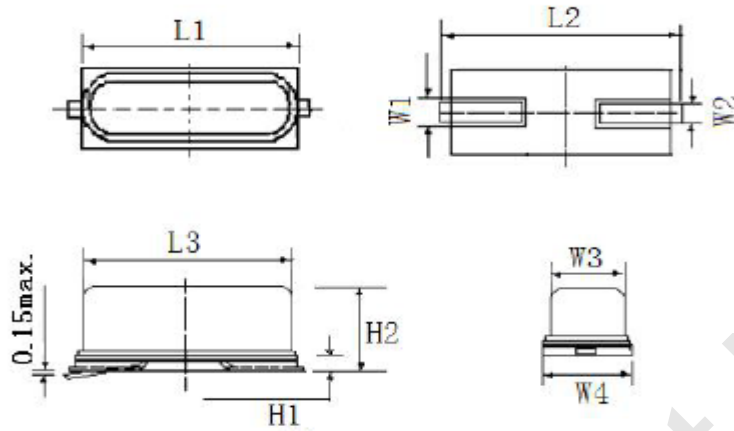


1. Electrical Parameters

MODEL: DPAT13000006							
No.	Parameters	SYM.	Electrical Spec.				Notes
			Min.	Typ.	Max.	Units	
1	Nominal Frequency	FL	13.00			MHz	
2	Oscillation Mode	-	Fundamental			-	AT-CUT
3	Load Capacitance	CL	8			pF	
4	Frequency Tolerance	FL	-20		+20	$\times 10^{-6}$	25°C
5	Frequency Stabilities	TC	-30		+30	$\times 10^{-6}$	T _A =25°C
6	Resonant Resistance	RR			30	Ω	
7	Aging	-	-5		+5	$\times 10^{-6}$	First Year
8	Drive Level	DL		100	500	μ W	
9	Insulation Resistance	-	500	-	-	M Ω	At DC 100V
10	Shunt Capacitance	C0			7	pF	
11	Operating Temperature	-	-40		+85	°C	
12	Storage Temperature Range	-	-40		+125	°C	



2. Mechanical Structure(mm)

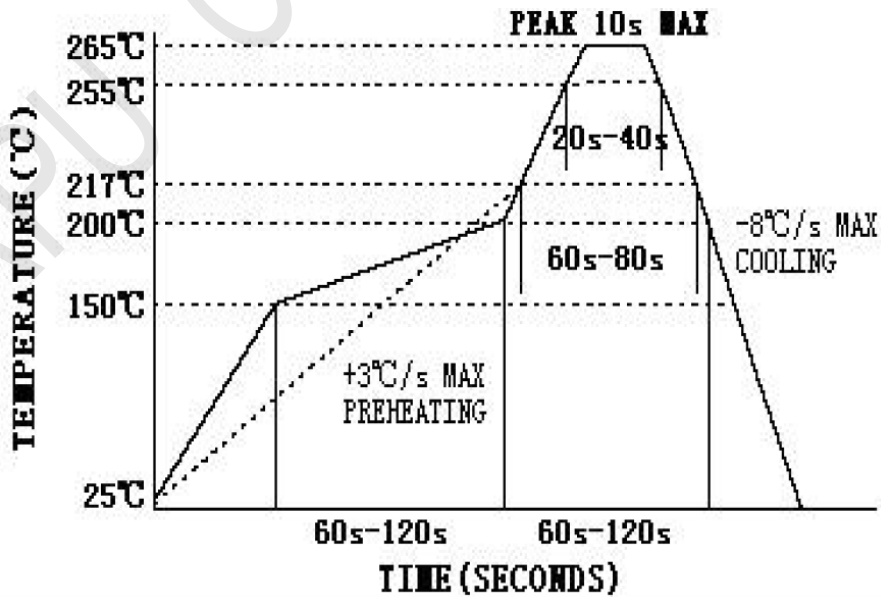


L1	L2	L3	H1	H2
11.4±0.3	12.6±0.3	9.85±0.2	0.55±0.05	3.8±0.3
W1	W2	W3	W4	
0.95±0.2	0.75±0.2	3.5±0.2	4.7±0.2	

Marking:

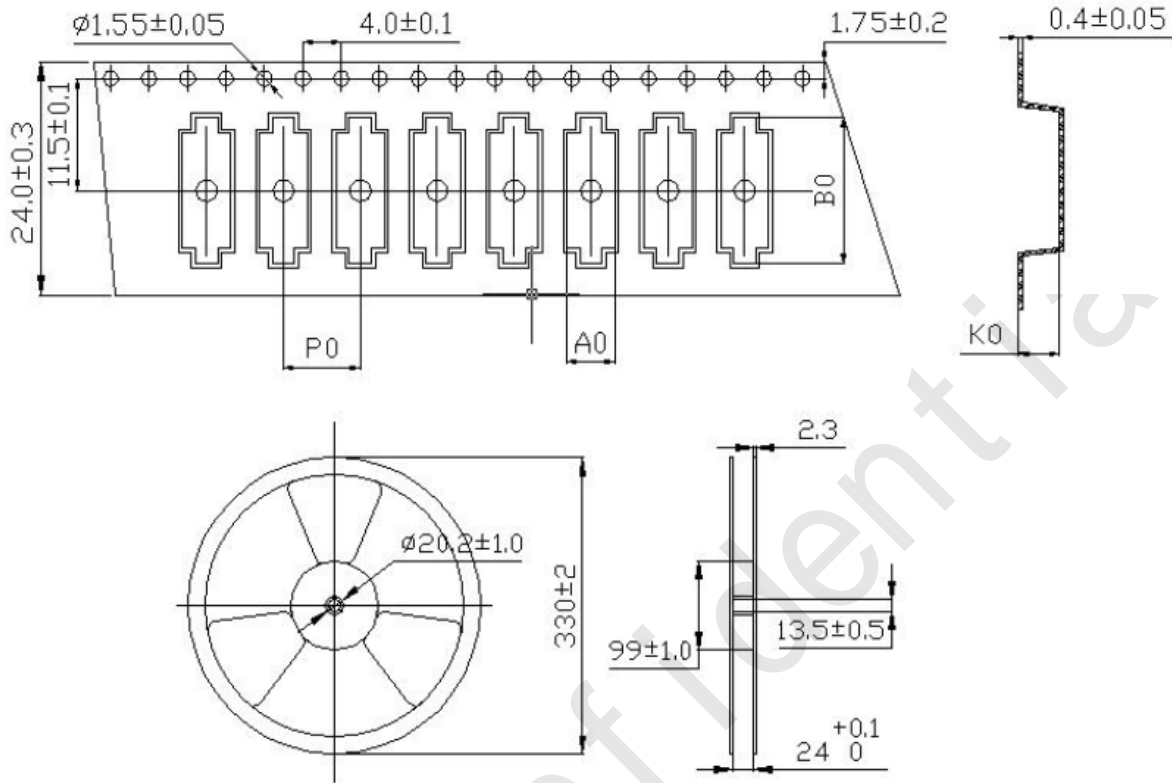


3. Reflow Soldering Curve (RoHS)





4. Reflow Soldering Curve (RoHS)



A_0	B_0	P_0	K_0
5.0 ± 0.1	15.0 ± 0.1	8.0 ± 0.1	4.25 ± 0.2