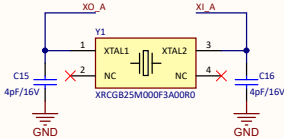
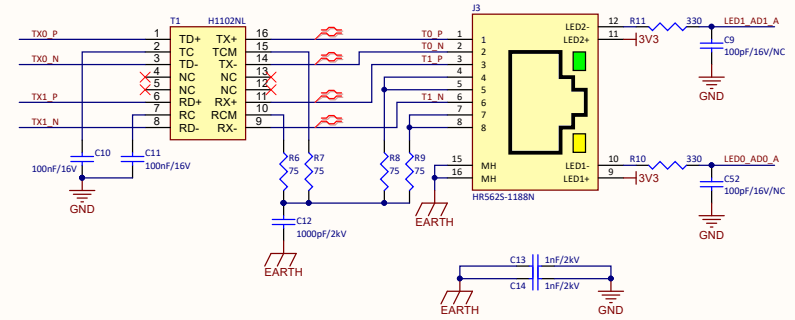
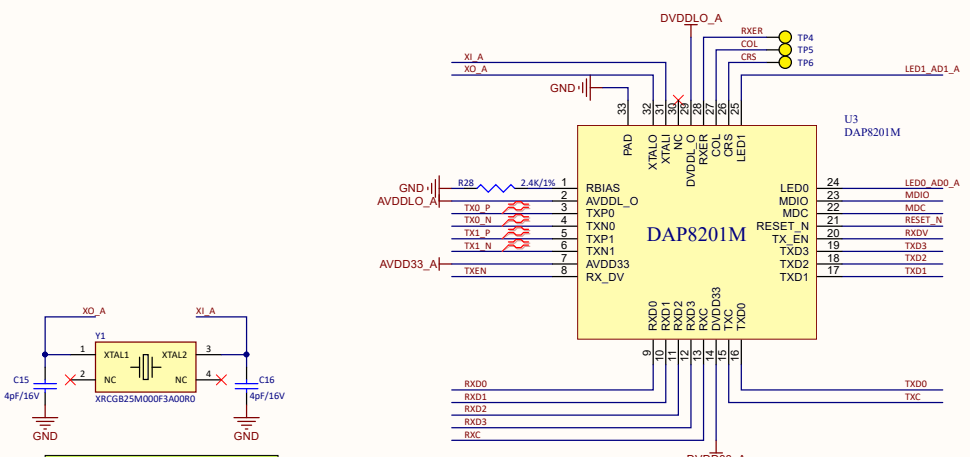
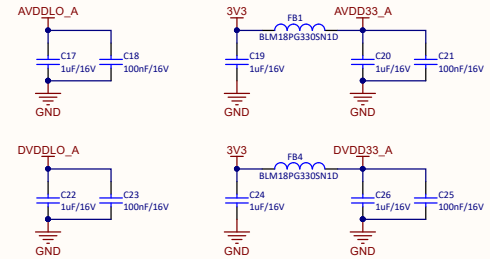
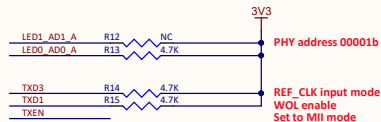


REVISION	DESCRIPTION	DATE	APPROVED

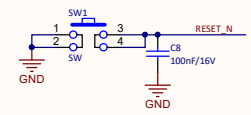
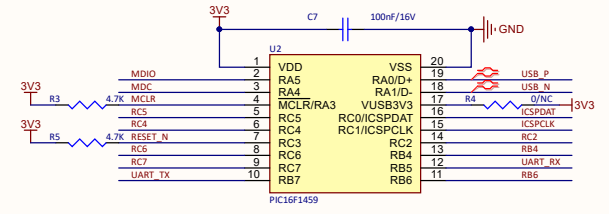
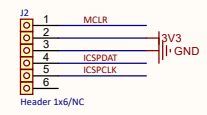
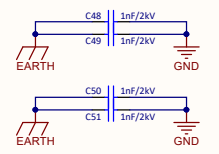
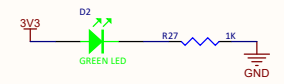
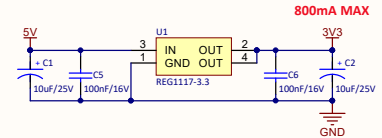
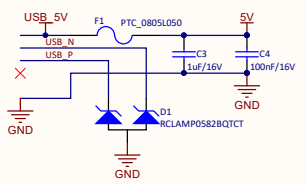
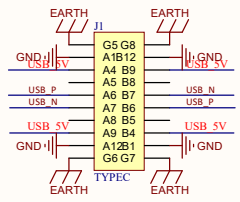


25M crystal Calculate the value of external load capacitor according to the crystal load capacitance



APPROVALS	DATE	PROJECT	DAPU	
ENG: William	20220609	Demo		
DSN: William	-/-/-	PROJECT REVISION:	DOCUMENT REVISION:	DESIGN ITEM: Not inversion control
CHK: William	-/-/-	TITLE: DAP8201M		
REFERENCE DOCUMENTS:				
BOM:	SIZE: B	CAGE CODE:	DIWG NO.:	REV:
ASSY DWG:	SCALE:	FILE NAME: DAP8201M_A.SchDoc	SHEET: *	OF: *
FAB DWG:				
PCB DWG:				

REVISION	DESCRIPTION	DATE	APPROVED



Designator
DAP8201M B.SchDoc

Designator
DAP8201M A.SchDoc

APPROVALS	DATE	PROJECT	DAPU	
ENG: William	20220609	Demo		
DSN: William	-/-/-	PROJECT REVISION:	DOCUMENT REVISION:	DESIGN ITEM: Not inversion control
CHK: William	-/-/-	TITLE		
REFERENCE DOCUMENTS:			DAP8201M	
BOM:	SIZE	CAGE CODE	DWG NO.	REV
ASSY DWG:	B			
FAB DWG:	SCALE:	FILE NAME	MCU.SchDoc	SHEET * OF *
PCB DWG:				

• SWD HOS ON 000 08/2022