

Customer Code : _____

DATASHEET

DAPU P/N : **T22-F519-26.2144MHz**

Customer P/N: _____

DAPU			Customer Approval
Drew	Audited	Approved	Stamp, please! Thanks!
Date: 2023.02.28			

Guangdong Dapu Telecom Technology Co.,Ltd

Building 5, No.24, Industrial East Road, Songshanhu Park, Dongguan, Guangdong, P.R. China

TEL: 0086-0769-88010888 FAX: 0086-0769-81800098



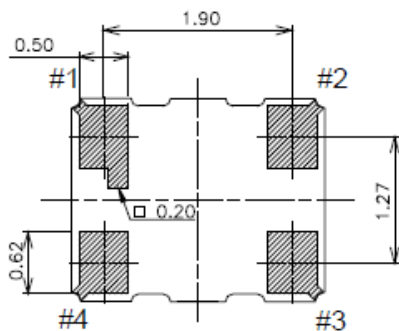
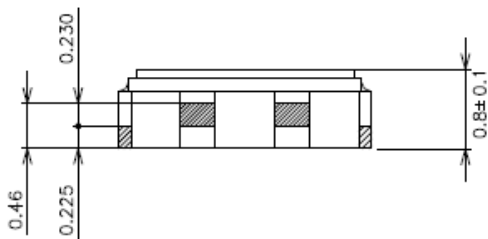
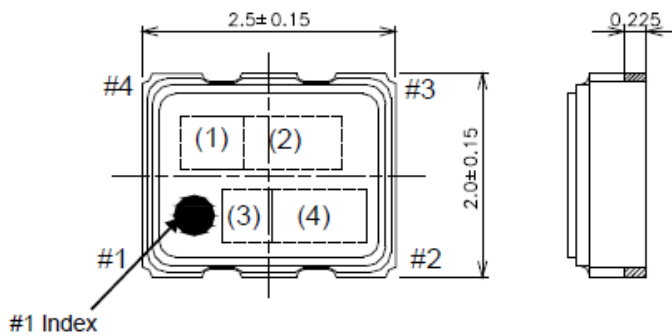
1. Electrical Parameters

MODEL: T22-F519-26.2144MHz						
Item	Description	Parameters			Unit	Test Condition
		Min.	Typ.	Max.		
Output	Frequency	26.2144			MHz	
	Output Waveform	Clipped Sine Wave				
	V _{p-p}	0.8			V	Lower peak must be ≤ 100 mV
	Start Up Time			2	ms	@90% of final V _{out} level
	Symmetry	40	50	60	%	
	Harmonics			-5	dBc	
	Load	10K Ω //10pF				
Frequency Stabilities	Frequency Tolerance vs. Operating Temperature Range	-0.5		+0.5	$\times 10^{-6}$	T _A varied from -40 to 85°C, measurement referenced to frequency observed with $f_{ref}=(f_{max}+f_{min})/2$, V _{cc} =3.3V, O _{load} =10K Ω //10pF, temperature variable speed less than 2°C per minute.
	Initial Frequency Tolerance	-1.5		+1.5	$\times 10^{-6}$	T _A =25°C, leave after reflow in 2h of more at room ambient. after 2times reflow, referenced to nominal frequency
	Frequency Tolerance vs. Supply Voltage	-0.2		+0.2	$\times 10^{-6}$	measurement referenced to frequency observed T _A =25°C, V _{cc} varied from 3.135V to 3.465V, and O _{Load} =10K Ω //10pF.
	Frequency Tolerance vs. Load	-0.2		+0.2	$\times 10^{-6}$	10% load change measurement referenced to frequency observed with T _A =25°C, V _{cc} =3.3V, O _{Load} =10K Ω //10pF
	Aging Tolerance 1 Year	-1		+1	$\times 10^{-6}$	T _A =25°C, V _{cc} =3.3V, and after 1h of operation.
Power Supply	Current Consumption			1.5	mA	@25°C, V _{cc} =3.3V, O _{load} =10K Ω //10pF.
	Supply Voltage	3.135	3.3	3.465	V	
Phase Noise	Phase Noise @25°C			-130	dBc/Hz	1KHz



Environmental Conditions	Operable Temperature	-40	+85	°C	
	Storage Temperature	-55	+125	°C	
	ESD Level	Human Body Model, class2: 2000V to 4000V; ANSI/ESDA/JEDEC JS-001-2010.			
		Machine Model, class B: 200V to 400V; JEDEC JESD22-A115C.			
	Moisture Sensitivity Level	Level 1.			
	Vibration	Test Condition: 0.75mm ;acceleration:10g;10Hz~2000Hz, one cycle per 30 min, test 2 hour. (3 times for each 3 directions X , Y , Z) .IEC 68-2-06 Test Fc.			
Shock	100g; 6ms; half sine wave (3 times for each 3 directions X , Y , Z),IEC 68-2-27 Test Ea/Severity 50A.				
Full Package Storage	Relative humidity (%)	20%~70%			
	Temperature (°C)	-10~35°C			

2. Mechanical Structure(mm)



Pin Connections

Pin No.	Connection
#1	GND
#2	GND
#3	Output
#4	V _{cc}

Marking

- (1) Model code BN
- (2) Frequency 26.2 (MHz, 3digits)
- (3) Logo D
- (4) Date code Year (1digit) +Week (2digits)
e.g.2015/1/1 → 501

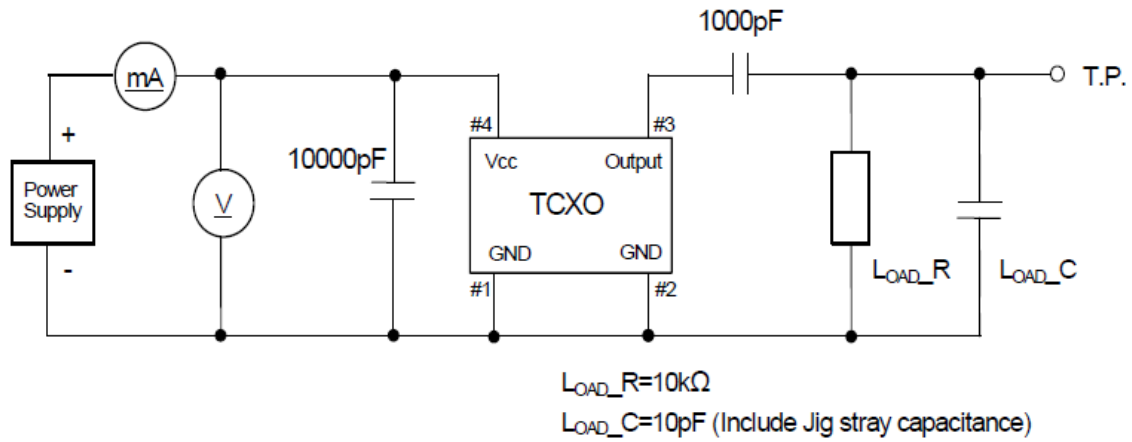
unit: mm

Dimensional Tolerance: ±0.15

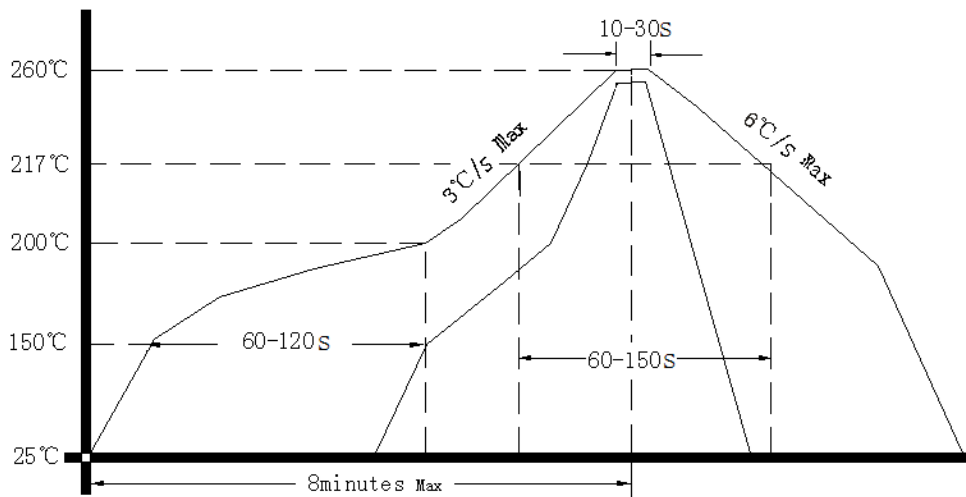
(Unless otherwise noted)



3. Test circuit



4. Reflow Soldering Curve (RoHS)



5. Package: Tape & Reel (mm)

