

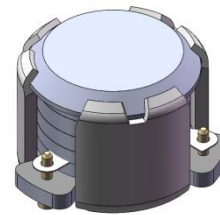


DP0589C

ENG PART:DP-7.0CM-5150T5950-CW

5150MHz to 5950MHz Single-Junction Surface Mount Circulator

REV.	DESCRIPTION	REVISOR	DATE	APPROVED
A	Creating datasheet	ZC.Wu	2021/8/2	Nick

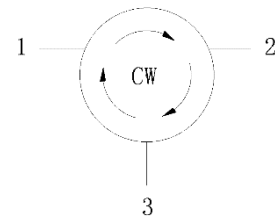


Applications:

- Wireless Infrastructure
- Power Amplifier

Features:

- Operating frequency range: 5150MHz to 5950MHz
- Operating temperature range: -40°C to +85°C
- Storage temperature range: -50°C to +100°C
- Small surface-mount package delivered on T&R
- BeOfree & RoHS compliant



Block Diagram



Electrical Specifications:

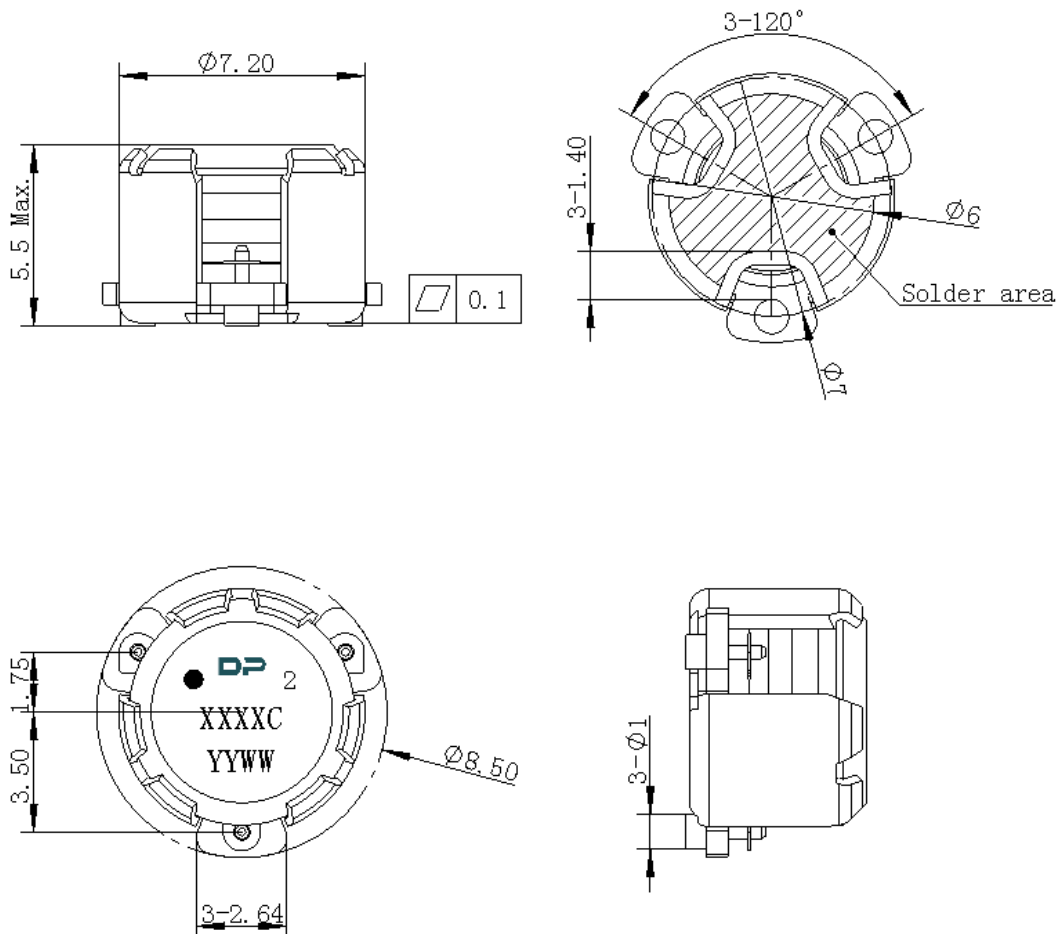
ITEM	SPECIFICATION	
Frequency	5150~5950	MHz
Direction	CW	
Impedance	Typ: 50	Ω
Insertion Loss (Max.)	0.55@25±5°C 0.60@-40~+85°C	dB
Insertion Loss Ripple (Max.)	/	dB
Isolation (Min.)	20.0@25±5°C 18.0@-40~+85°C	dB
Return Loss (Min.)	20.0@25±5°C 18.0@-40~+85°C	dB
3rd IMD (Max.)	/	dBc
Group delay	/	ns
2nd harmonic rejection (Min.)	/	dB
3rd harmonic rejection (Min.)	/	dB
Power FWD/REV/PEAK	30/30/150	W
Termination/Attenuator	/	W/dB
Phase flatness	/	°

Notes:

1. Exposure to maximum rating conditions for extended periods may reduce device reliability. There is no damage to device with only one parameter set at the limit and all other parameters set at or below their nominal value. Exceeding any of the limits listed here may result in permanent damage to the device.
2. Performance is guaranteed under the conditions listed in this table and over the operating temperature range.



Mechanical Specifications:



Unit: Millimeters

Notes:

1. The housing and pins are silver-plated.
2. Tolerance $\pm 0.2\text{mm}$ unless otherwise specified.
3. Co-planarity Specification: 0.1mm maximum.
4. Part Number, Lot Code, and Port Designation are printed on the top side of device
5. The **XXXXC** on the label represents the last five digits of the Part Number.
6. Date code is in format **YYWW**
7. The black dot on the label represents the input port



Packaging Style:

ITEM	W	A0	B0	C0	K0	D	E	F	F2	P	P0	P2	T
DIM	24	Φ7.4	9.2	2.7	6.0	Φ1.5	1.75	11.5	-	20	4	2	0.5
TOLE	±0.2	±0.2	±0.2	±0.2	±0.2	+0.1	±0.1	±0.15	±0.1	±0.1	±0.1	±0.1	±0.05

