

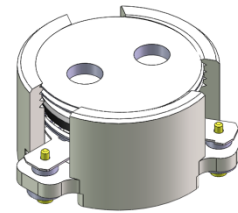


DP2263C

ENG PART:DP-15.5CM-4800T4960-CW

4800MHz to 4960MHz Single-Junction Surface Mount Circulator

REV.	DESCRIPTION	REVISOR	DATE	APPROVED
A	Creating datasheet	ZZ.Zhu	2022/11/3	Nick

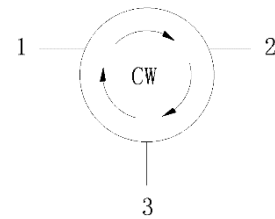


Applications:

- Wireless Infrastructure
- Power Amplifier

Features:

- Operating frequency range: 4800MHz to 4960MHz
- Operating temperature range: -40°C to +105°C
- Storage temperature range: -55°C to +125°C
- Small surface-mount package delivered on T&R
- BeOfree&RoHS compliant



Block Diagram



Electrical Specifications:

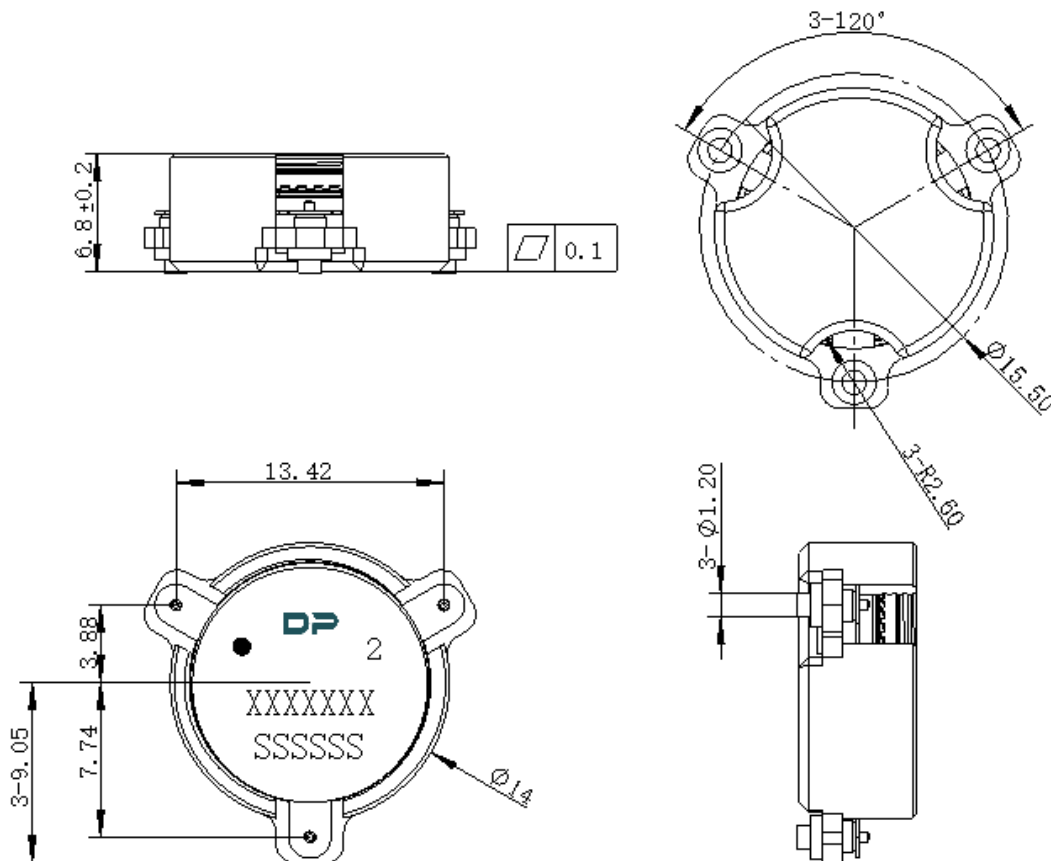
ITEM	SPECIFICATION	
Frequency	4800~4960	MHz
Direction	CW	
Impedance	Typ: 50	Ω
Insertion Loss (Max.)	0.35	dB
Isolation (Min.)	22	dB
Return Loss (Min.)	22	dB
3rd IMD (Max.)	-65@2x20W CW tones, 5MHz spacing	dBc
2nd harmonic attenuation	-	dB
3rd harmonic attenuation	-	dB
Group Delay	-	ns
Group Delay variation	-	ns
Input impedance,real	-	Ω
Power FWD/REV/PEAK	30/-/200	W
Termination/Attenuator	/	W/dB

Notes:

1. Exposure to maximum rating conditions for extended periods may reduce device reliability. There is no damage to device with only one parameter set at the limit and all other parameters set at or below their nominal value. Exceeding any of the limits listed here may result in permanent damage to the device.
2. Performance is guaranteed under the conditions listed in this table and over the operating temperature range.



Mechanical Specifications:



Unit: Millimeters

Notes:

1. The housing and pins are silver-plated.
2. Tolerance ± 0.2 mm unless otherwise specified.
3. Co-planarity Specification: 0.1 mm maximum.
4. Part Number, Lot Code, and Port Designation are printed on the top side of device
5. The XXXXXXX on the label represents the part number
6. The SSSSSS on the label represents the serial number
7. The black dot on the label represents the input port



Packaging Style:

ITEM	W	A0	B0	K0	D	E	F	F2	P	P0	P2	T
DIM	32	Φ14.3	18.5	7.2	Φ1.5	1.75	14.2	28.5	24	4	2	0.5
TOL	±0.3	±0.2	±0.2	+0.2	+0.1	±0.1	±0.15	±0.1	±0.1	±0.1	±0.1	±0.05

