

Travelling Merchant: _____

DATASHEET

Standard: DP7M11059201

Plot			The Label
Drew	Audited	Approved	Stamp, please! Thanks!
Date: 2020.07.06			

Guangdong Dapu Telecom Technology Co.,Ltd

Bldg13-16,.N.Ind.Zone,SSL Industry Park, Dongguan City, Guangdong Province, China

TEL: 0086-0769-88010888 FAX: 0086-0769-81800098

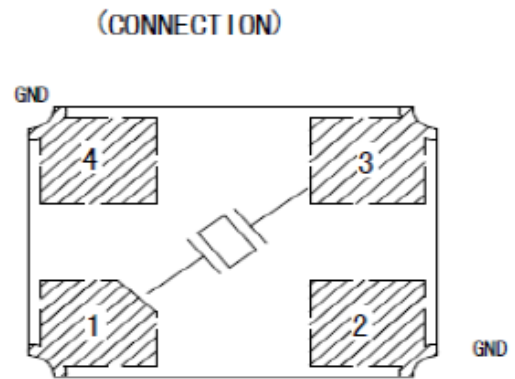
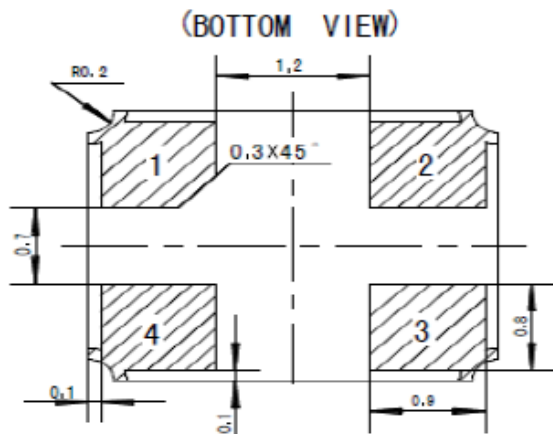
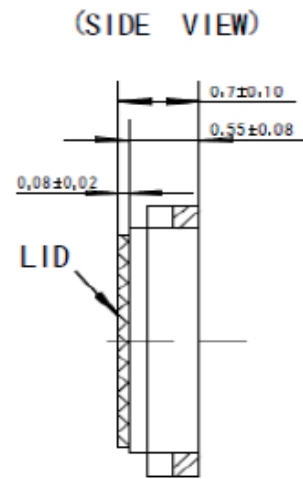
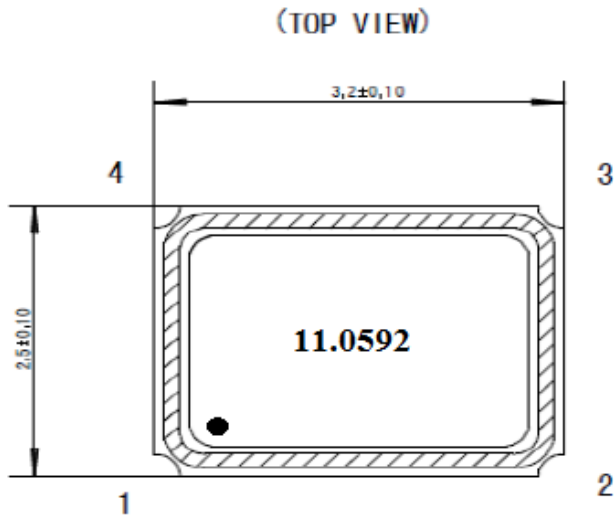


1、 Electrical Parameters

MODEL: DP7M11059201							
No.	Parameters	SYM.	Electrical Spec.				Notes
			Min.	Typ.	Max.	Units	
1	Nominal Frequency	FL	11.0592			MHz	
2	Oscillation Mode	-	Fundamental			-	
3	Load Capacitance	CL	10			pF	
4	Frequency Tolerance	-	-10		+10	ppm	at 25°C ±3°C
5	Frequency Stability	-	-30		+30	ppm	Over Operating Temp. Range (Reference 25°C)
6	Operating Temperature	-	-40	~	+85	°C	
7	Aging	-	-3		+3	ppm	Per Year
8	Drive Level	DL	-	10	50	uW	
9	Autoeciousness	SPDB	-	-	-3	dB	+/-5300PPM of nominal Freq.
10	Shunt Capacitance C0	C0	-	-	7	pF	
11	Motional Capacitance C1	C1			5	fF	
12	Insulation Resistance	-	500	-	-	MΩ	at DC 100V
13	Storage Temperature Range	-	-55	~	+125	°C	



2、Mechanical Structure(mm)



(Recommended Soldering Pattern)

