

Customer Code: _____

DATASHEET

DAPU P/N: DP7X16000005

DAPU			Customer Approval
Drew	Audited	Approved	Stamp, please! Thanks!
Date: 2021.12.01			

Guangdong Dapu Telecom Technology Co.,Ltd

Building 5, No.24, Industrial East Road, Songshanhu Park, Dongguan, Guangdong, P.R. China

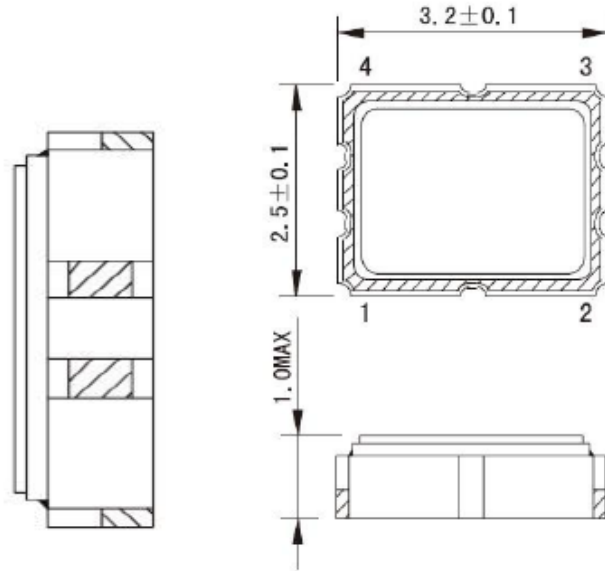
TEL: 0086-0769-88010888 FAX: 0086-0769-81800098

**1、 Electrical Parameters**

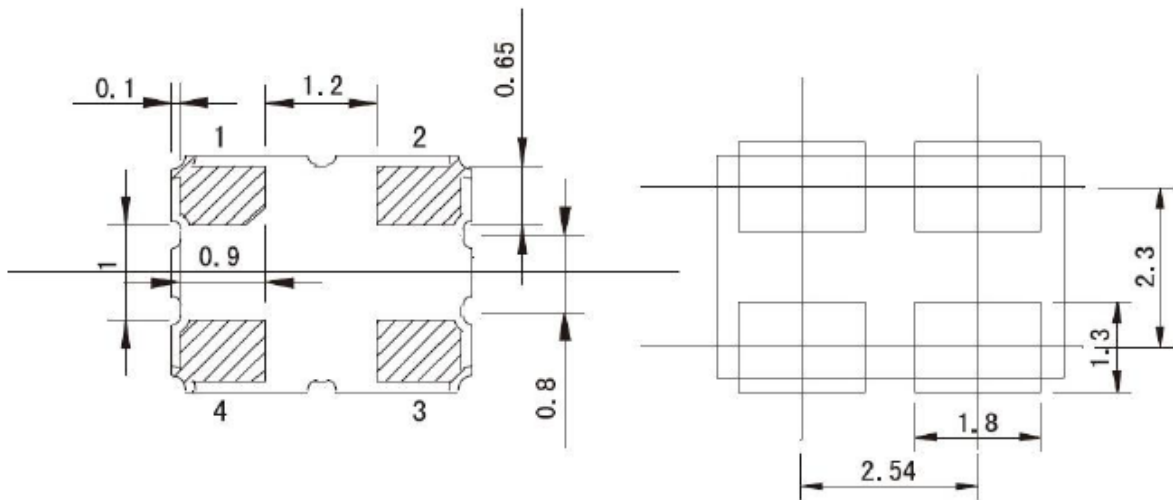
MODEL: DP7X1600005							
No	Parameters	SYM.	Electrical Spec.				Notes
			Min.	Typ.	Max.	Units	
1	Nominal Frequency	FL	160.00			MHz	
2	Output Load Capacitance	CL	CMOS			-	
3	Frequency Stability	-	-20		+20	$\times 10^{-6}$	@25°C
		-	-20		+20	$\times 10^{-6}$	-40°C~85°C
4	Operating Temperature	Topr	-40		+85	°C	
5	Storage Temperature	Tstg	-55	~	+125	°C	
6	Supply Voltage		1.65		3.46	V	
7	Current				25	mA	At maximum supply voltage
8	Output load	-	15			pF	
9	Tri-State Output Active		0.7V _{DD}			V	Pin1 Tri-state
10	Tri-State Output in High-Impedance state				0.3 V _{DD}	V	
11	Output Voltage High	VoH	0.9V _{DD}	-		V	
12	Output Voltage Low	VoL		-	0.1 V _{DD}	V	
13	Symmetry	TH/T	45	50	55	%	
14	Start Time				5	mS	
15	Rise and Fall time	Tr/Tf			5	nS	
16	Aging		-3		+3	$\times 10^{-6}$	Frequency drift in first year



2、 Mechanical Structure(mm)



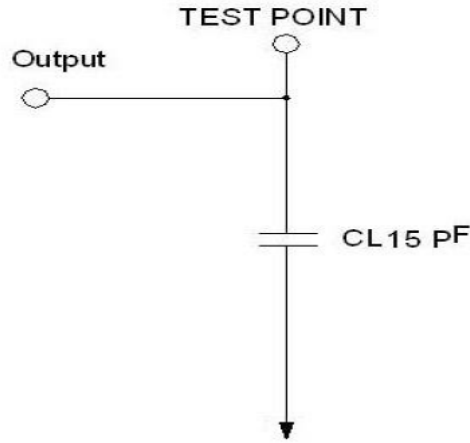
	Function
#1	TRI-STATE
#2	GND
#3	Pin
#4	V _{DD}



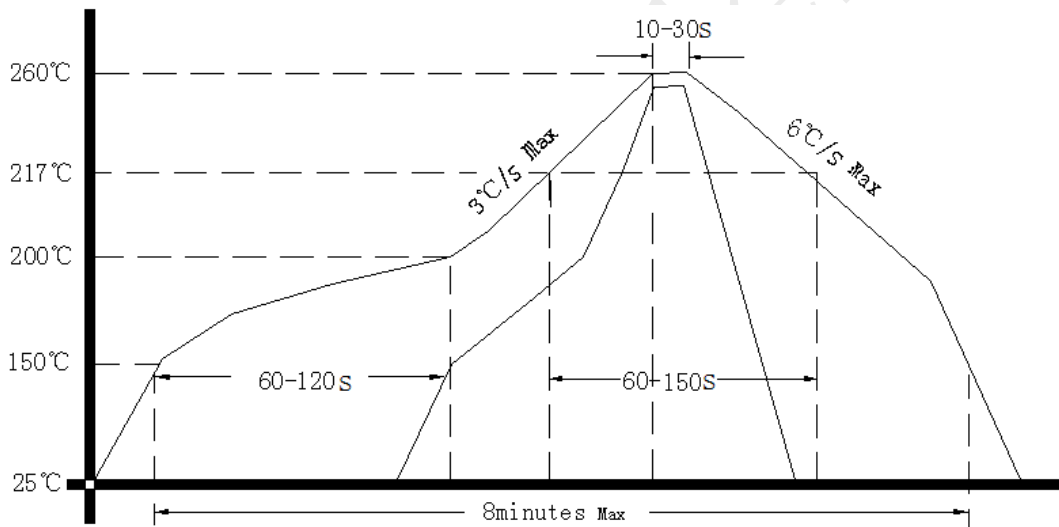
Note1: Tolerance $\pm 0.20\text{mm}$



3、 Test Circuit



4、 Reflow Soldering Curve (RoHS)





5、 Package: Tape & Reel (mm)

