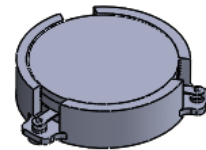




## DP0563C

869MHz to 960MHz Single-Junction Surface Mount Circulator

REV.	DESCRIPTION	REVISOR	DATE	APPROVED
A	Creating datasheet	ZC.Wu	2021/7/19	Nick

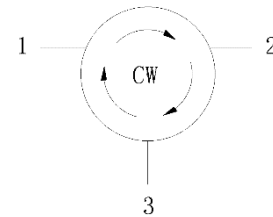


### Applications:

- Wireless Infrastructure
- Power Amplifier

### Features:

- Operating frequency range:869MHz to 960MHz
- Operating temperature range: -40°C to +125°C
- Storage temperature range: -50°C to +150°C
- BeO free & RoHS compliant



Block Diagram



Electrical Specifications:

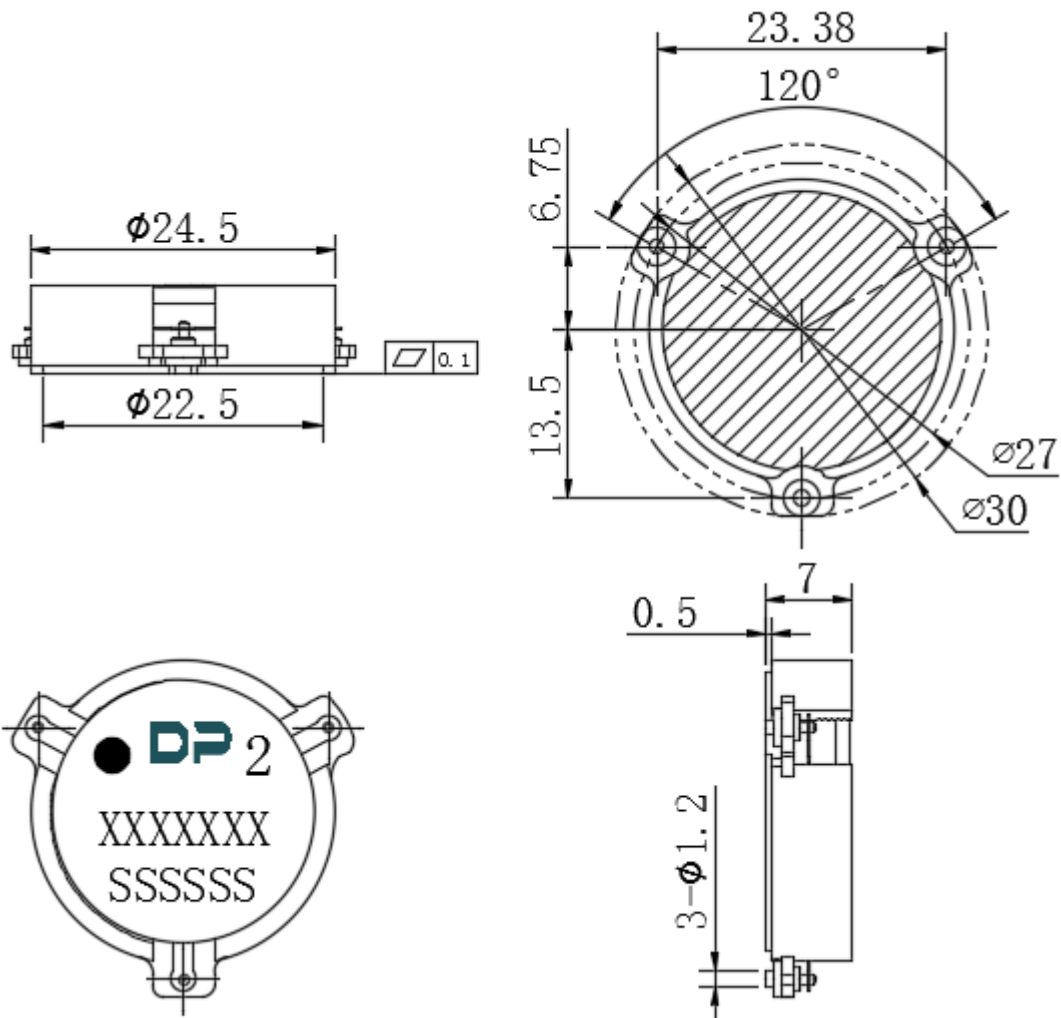
ITEM	SPECIFICATION	
Frequency	869~960	MHz
Direction	CW	
Impedance	Typ: 50	$\Omega$
Insertion Loss (Max.)	0.25@25±10°C 0.28@-40~+85°C 0.28@+85~+125°C	dB
Isolation (Min.)	24@25±10°C 22@-40~+85°C 20@+85~+125°C	dB
Return Loss (Min.)	24@25±10°C 22@-40~+85°C 20@+85~+125°C	dB
Power FWD/REV/PEAK	250/-/1000	W
IMD (Max.)	/	dBc
Out Band Resonance	Resonance point away 750MHz-1080MHz@-40~+125°C	
Input Impedance ,real	45~55@-40~+125°C	$\Omega$
Input Impedance ,imaginary	-7j~+7j@-40~+125°C	$\Omega$
Termination/Attenuator	/	W/dB

Notes:

1. Exposure to maximum rating conditions for extended periods may reduce device reliability. There is no damage to device with only one parameter set at the limit and all other parameters set at or below their nominal value. Exceeding any of the limits listed here may result in permanent damage to the device.
2. Performance is guaranteed under the conditions listed in this table and over the operating temperature range.



Mechanical Specifications:



Unit: Millimeters

Notes:

1. The housing and pins are silver-plated.
2. Tolerance  $\pm 0.2\text{mm}$  unless otherwise specified.
3. Co-planarity Specification: 0.1mm maximum.
4. Part Number, Lot Code, and Port Designation are printed on the top side of device.
- 5 The **XXXXXXX** on the label represents the part number
6. The **SSSSSS** on the label represents the serial number
7. The black dot on the label represents the input port