

Customer Code: _____

DATASHEET

DAPU P/N: DP7X1000011

DAPU			Customer Approval
Drew	Audited	Approved	Stamp, please! Thanks!
Date: 2021.11.22			

Guangdong Dapu Telecom Technology Co.,Ltd

Building 5, No.24, Industrial East Road, Songshanhu Park, Dongguan, Guangdong, P.R. China

TEL: 0086-0769-88010888 FAX: 0086-0769-81800098

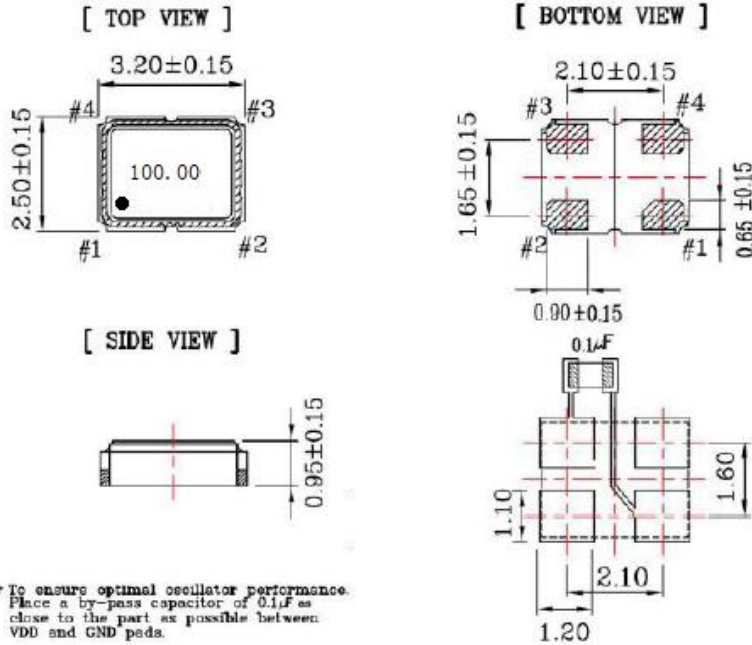
**1、 Electrical Parameters**

MODEL: DP7X1000011							
No	Parameters	SYM.	Electrical Spec.				Notes
			Min.	Typ.	Max.	Units	
1	Nominal Frequency	FL	100.00			MHz	
2	Output Load Capacitance	CL	CMOS			-	3rd
3	Output load	-	15			pF	
4	Frequency Stability	-	-10		+10	$\times 10^{-6}$	Refer to frequency at $25 \pm 2^{\circ}\text{C}$
5	Frequency Tolerance		-20		+20	$\times 10^{-6}$	After 2 times reflow, Refer to nominal frequency
6	Operating Temperature	Topr	-40		+85	$^{\circ}\text{C}$	
7	Storage Temperature	Tstg	-55	~	+125	$^{\circ}\text{C}$	
8	Supply Voltage		2.97	3.3	3.63	V	
9	Current				35	mA	
10	Enable		0.7Vcc			V	
11	Disable				0.3Vcc	V	
12	Output Voltage High	VoH	0.9Vcc	-		V	
13	Output Voltage Low	VoL		-	0.1Vcc	V	
14	Symmetry	TH/T	45	50	55	%	
15	Start Time				10	mS	
16	Rise and Fall time	Tr/Tf			5	nS	
17	Aging		-3		+3	$\times 10^{-6}$	First year



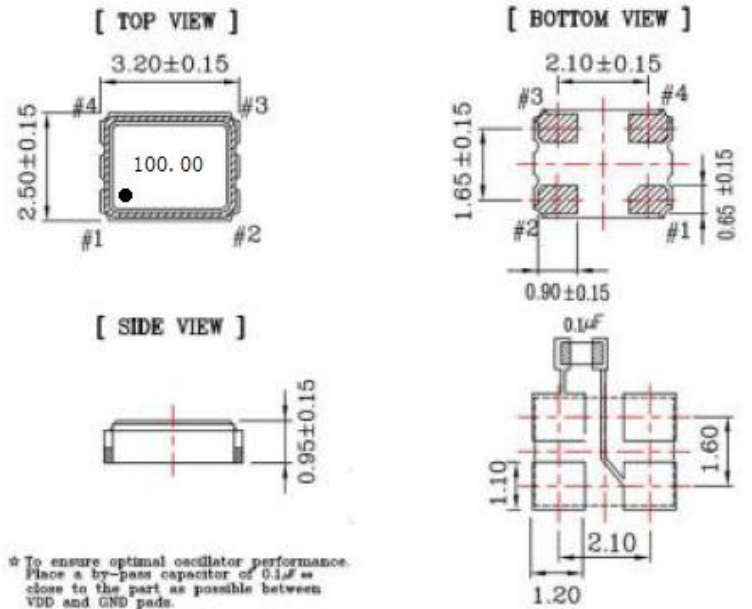
2、Mechanical Structure(mm)

A:



Pin	Function
#1	Tri-State
#2	GND
#3	Output
#4	V _{DD}

B:



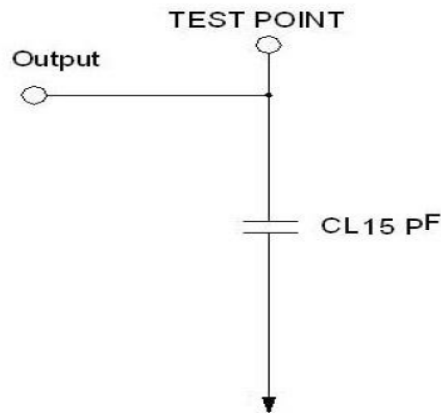
Pin	Function
#1	Tri-State
#2	GND
#3	Output
#4	V _{DD}

Note1: Tolerance ±0.20mm

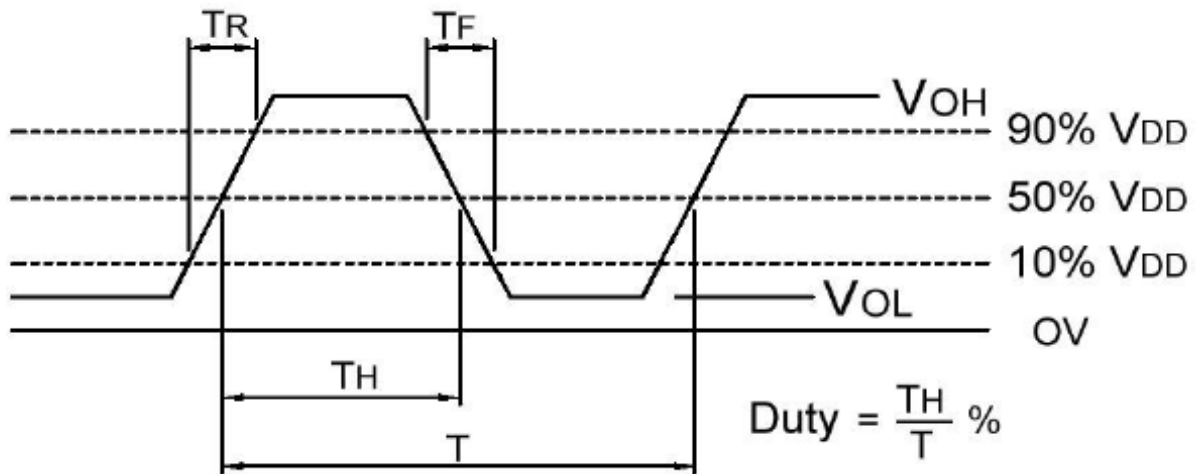
Note2: The shape of the base, pin position identification and shape will be different, but it will not affect the use of the line.



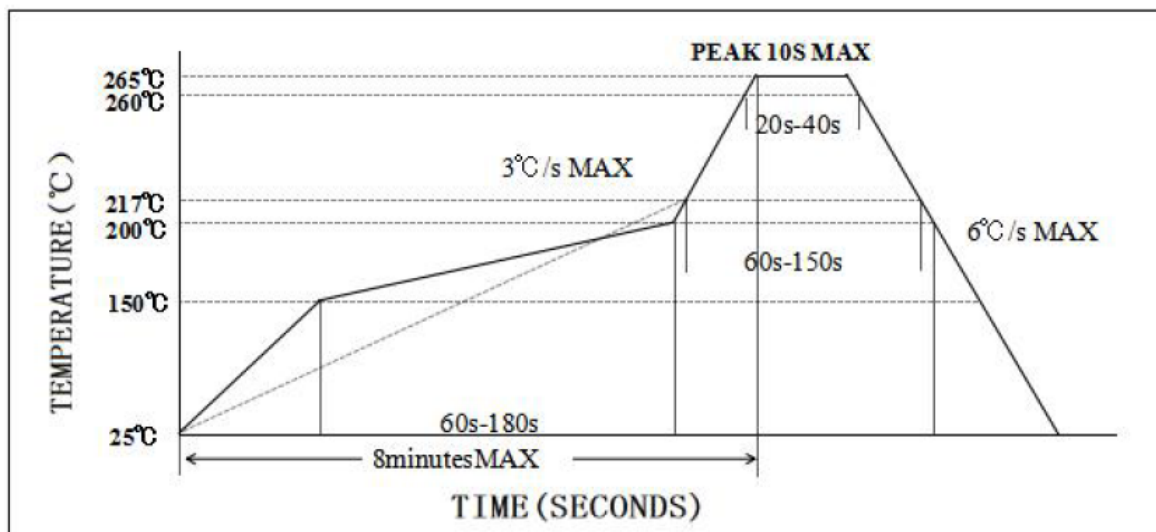
3、 Test Circuit



4、 Output Waveform(CMOS Load)

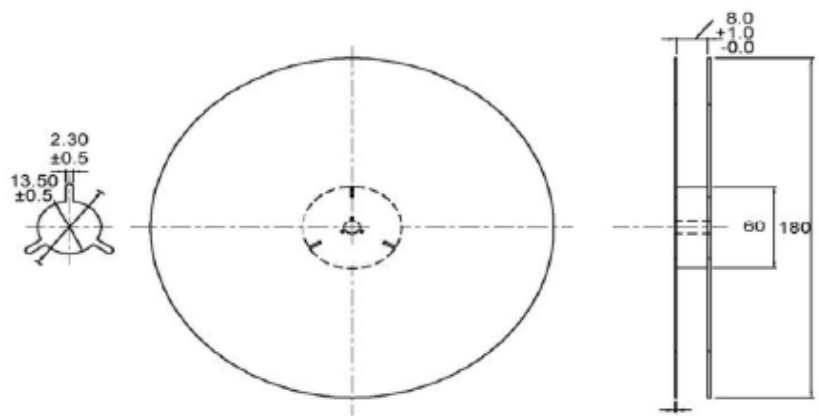
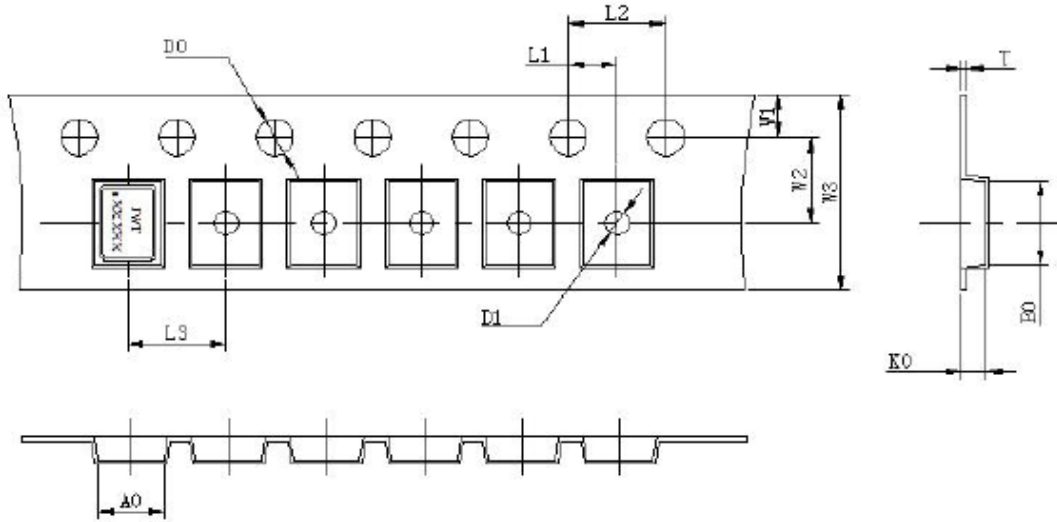


5、 Recommended IR Reflow Profile





6、 Package: Tape & Reel



L1	2.00±0.1
L2	4.00±0.1
L3	4.00±0.1
D0	1.55±0.05
D1	1.20±0.5
W1	1.75±0.1
W2	3.50±0.1
W3	8.00±0.2
A0	2.7±0.1
B0	3.4±0.1
K0	1.40±0.1
T	0.25±0.05

Unit:mm

DAPU