

Travelling Merchant: _____

DATASHEET

Standard: DPAM19200003

Plot			The Label
Drew	Audited	Approved	Stamp, please! Thanks!
Date: 2022.02.21			

Guangdong Dapu Telecom Technology Co.,Ltd

Building 5, No.24, Industrial Road East, Songshanhu Park, Dongguan, Guangdong, P.R. China

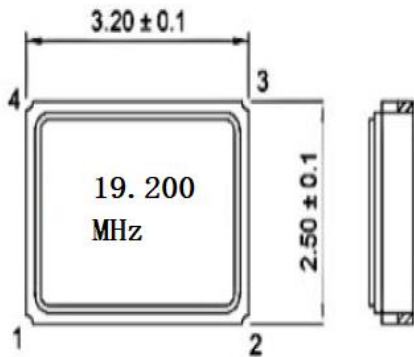
TEL: 0086-0769-88010888 FAX: 0086-0769-81800098



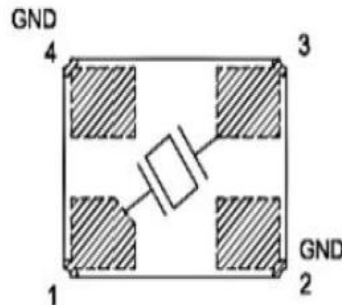
1、 Electrical Parameters

MODEL: DPAM19200003							
No.	Parameters	SYM.	Electrical Spec.				Notes
			Min.	Typ.	Max.	Units	
1	Nominal Frequency	FL	19.20			MHz	
2	Mode of Vibration	-	Fundamental			-	
3	Load Capacitance	CL	8			pF	
4	Frequency Tolerance	-	-10	-	+10	$\times 10^{-6}$	At 25°C± 2°C
5	Frequency Stability	-	-30	-	+30	$\times 10^{-6}$	-40°C~+85°C
7	Aging	-	-3	-	+3	$\times 10^{-6}$	Per Year
8	Drive Level	DL		10		μW	
9	Effective Resistance	Rr	-	-	30	Ω	
10	Shunt Capacitance C0	C0		-	3	pF	
11	Insulation Resistance	-	500	-	-	MΩ	At DC 100V
12	Operating Temperature		-40	~	+85	°C	
13	Storage Temperature Range	-	-55	~	+125	°C	

2、 Mechanical Structure(mm)



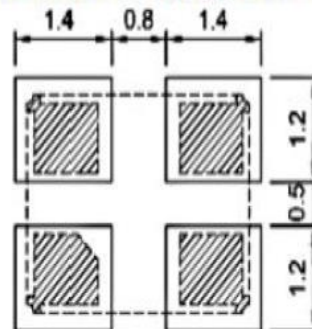
Internal Connections(Top View)



#1, #3 connected to quartz element

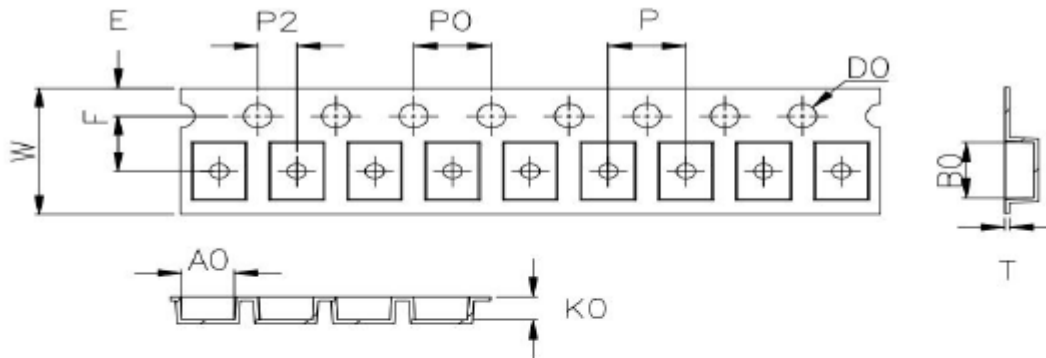
#2, #4# connected to the cover

Recommended land pattern

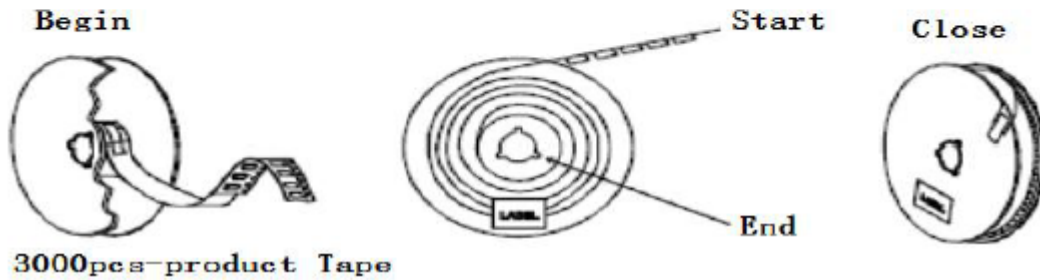
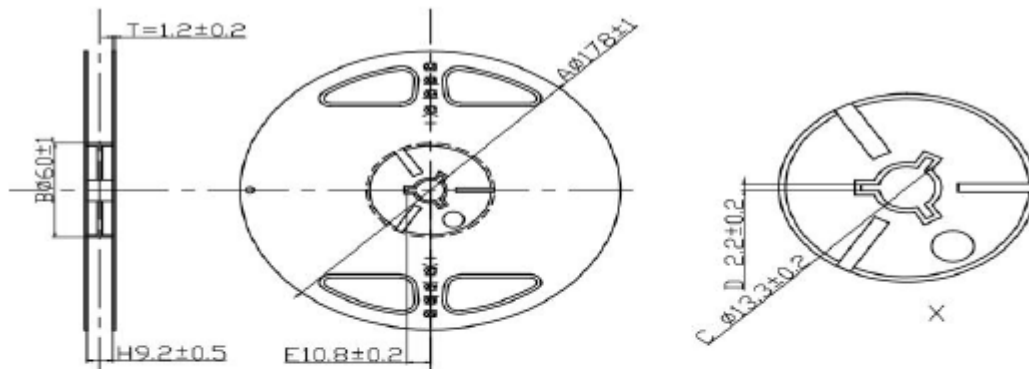




3、Package(mm)



W	8.00±0.30	P	4.00±0.05	A0	2.75±0.05
E	1.75±0.05	P0	4.00±0.05	K0	1.25±0.05
F	3.50±0.05	P2	2.00±0.05	B0	3.50±0.05
T	0.25±0.03	D0	1.50+0.10/-0		



3000pcs-product Tape