

Travelling Merchant: \_\_\_\_\_

# DATASHEET

Standard: OS754-B319-16.00MHz

P/N: Y75NN1600A/2PY75NN1600A

Plot			The Label
Drew	Audited	Approved	Stamp, please! Thanks!
Date: 2017.05.03			

**Guangdong Dapu Telecom Technology Co.,Ltd**

Bldg13-16,.N.Ind.Zone,SSL Industry Park, Dongguan City, Guangdong Province, China

TEL: 0086-0769-88010888 FAX: 0086-0769-81800098



### Table of amendment

Version	Revision contents	Prepared by	Revised date
1.0	The first issued	<i>Amway</i>	2012.11.06
1.1	Add Pin 1	<i>Amway</i>	2017.05.03



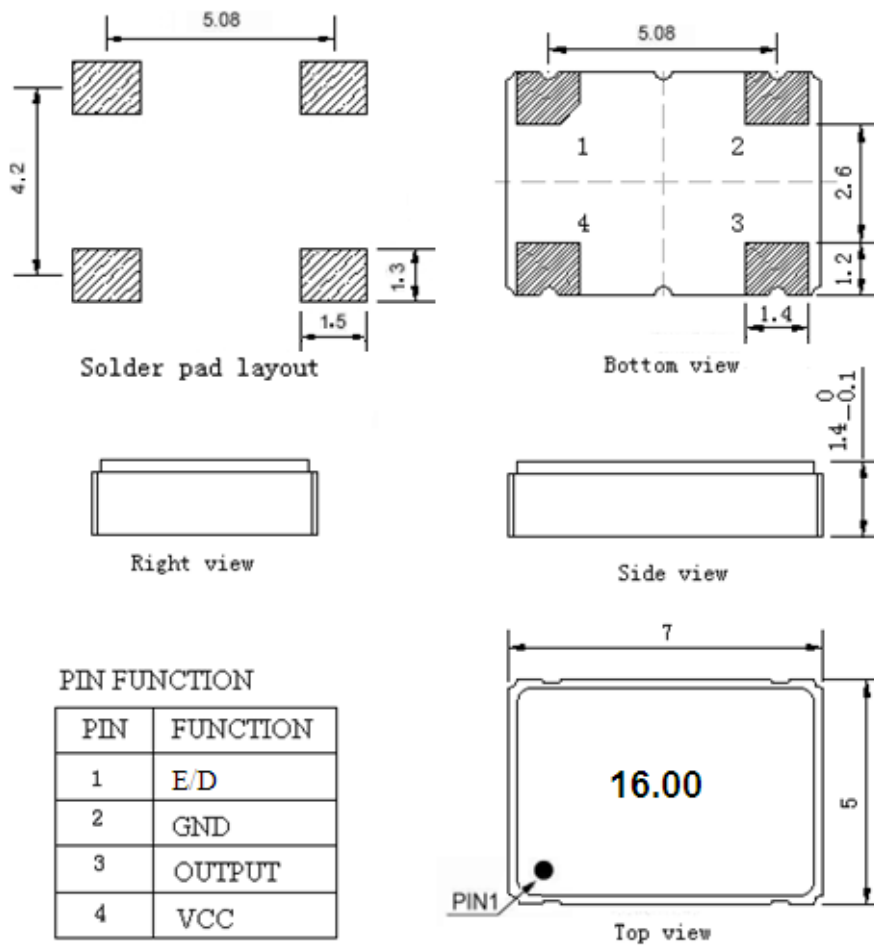
## 1. Electrical Parameters

MODEL: OS754-B319-16.00MHz						
Item	Description	Parameters			Unit	Test Condition
		Min.	Typ.	Max.		
Output	Frequency	16.00			MHz	
	Output Waveform	HCMOS				
	Output Low Voltage			0.33	V	$V_{cc}=3.3V, O_{load}=15\text{ pF}$
	Output High Voltage	2.97			V	$V_{cc}=3.3V, O_{load}=15\text{ pF}$
	Duty Cycle	45	50	55	%	@50%
	Rise / Fall Time (20%~80%)			5	ns	@25°C
	Load	15			pF	
	Jitter			1	ps	RMS (12KHz ~20MHz)
Frequency Stabilities	Frequency Tolerance vs. Operating Temperature Range	-30		+30	$\times 10^{-6}$	$T_A$ varied from -40°C to 85°C, measurement referenced to frequency observed with $T_A = 25^\circ\text{C}$ , $V_{cc}=3.3V$ , $O_{load}=15\text{ pF}$ , temperature variable speed less than 2°C per minute.
	Initial Frequency Tolerance	-15		+15	$\times 10^{-6}$	Measurement referenced to frequency observed with $T_A = 25^\circ\text{C}$ , $V_{cc}=3.3V$ within 30 days after ex-works.
	Frequency Tolerance vs. Supply Voltage	-3		+3	$\times 10^{-6}$	measurement referenced to frequency observed $T_A=25^\circ\text{C}$ , $V_{cc}$ varied from 3.13V to 3.47V, and $O_{Load}=15\text{ pF}$ .
	Frequency Tolerance vs. Load	-1		+1	$\times 10^{-6}$	5% load change measurement referenced to frequency observed with $T_A= 25^\circ\text{C}$ , $V_{cc}=3.3V$ , $O_{Load}=15\text{ pF}$ .
	Aging Tolerance 1 Year	-3		+3	$\times 10^{-6}$	$T_A=25^\circ\text{C}$ , $V_{cc}=3.3V$ , and after 1h of operation.
Power Supply	Current Consumption			30	mA	@25°C, $V_{cc}=3.3V$ , $O_{Load}=15\text{ pF}$ .
	Supply Voltage	3.13	3.3	3.47	V	
Environmental Conditions	Operable Temperature	-40		+85	°C	
	Storage Temperature	-55		+105	°C	
	ESD Level	Human Body Model,class2: 2000V to 4000V; ANSI/ESDA/JEDEC JS-001-2010. Machine Model, class B: 200V to 400V; ANSI/ESDA/JEDEC JS-001-2010.				



Moisture Sensitivity Level	Level 2.
Vibration	Test Condition: 0.75mm ;acceleration:10g;10Hz~2000Hz, one cycle per 30 min, test 2 hour. (3 times for each 3 directions X , Y , Z) .IEC 68-2-06 Test Fc.
Shock	100g; 6ms; half sine wave (3 times for each 3 directions X , Y , Z ),IEC 68-2-27 Test Ea/Severity 50A.

## 2. Mechanical Structure(mm)



**Note1:** Tolerance  $\pm 0.1\text{mm}$  without mark

**Note2:** Referential Weight 0.2g

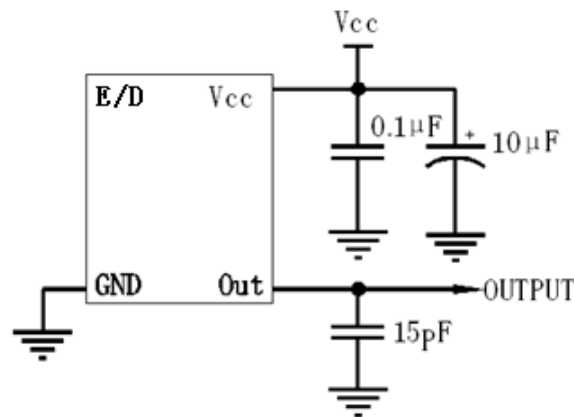
**Note3:** Enable:  $V_{ih} \geq V_{CC} - 1.025V$

Disable:  $V_{il} \leq V_{CC} - 2.0V$

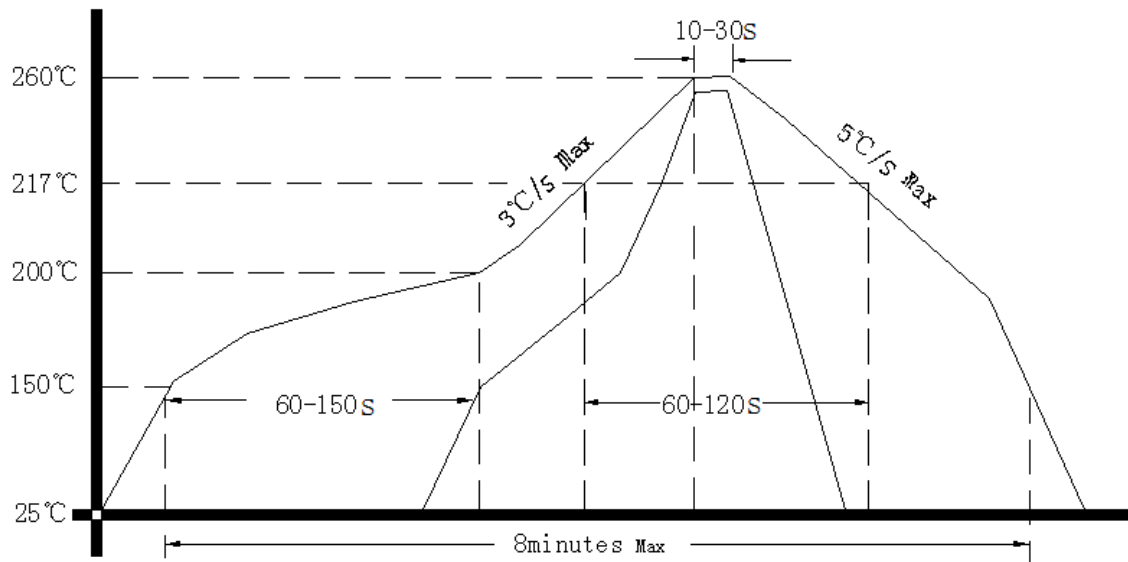
E/D	OUT
high level, open	data
low level	no data



### 3. Test circuit



### 4. Reflow Soldering Curve (RoHS)



### 5. Package: Tape & Reel (mm)

