

Travelling Merchant: \_\_\_\_\_

# DATASHEET

Standard:                   **DPAF32768001A**                  

Plot			The Label
Drew	Audited	Approved	Stamp, please! Thanks!
Date: 2022.07.19			

## Guangdong Dapu Telecom Technology Co.,LTD

Building 5, No.24, Industrial Road East, Songshanhu Park, Dongguan, Guangdong, P.R. China

TEL: 0086-0769-88010888 FAX: 0086-0769-81800098

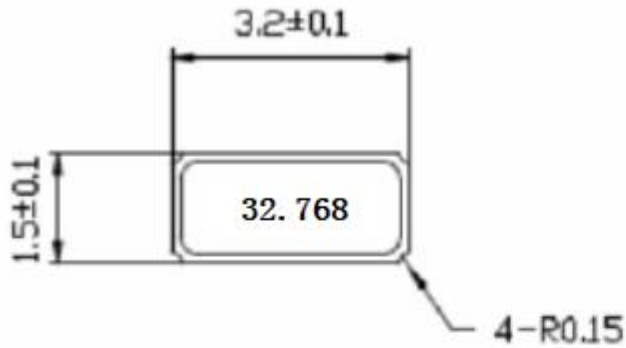


## 1、 Electrical Parameters

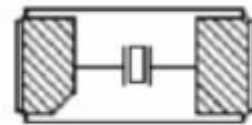
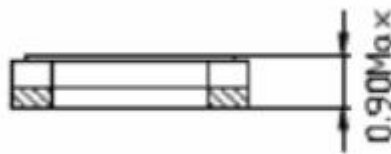
MODEL: DPAF32768001A							
No.	Parameters	SYM.	Electrical Spec.				Notes
			Min.	Typ.	Max.	Units	
1	Nominal Frequency	FL	32.768			KHz	
2	Oscillation Mode	-	Fundamental			-	
3	Load Capacitance	CL	12.5			pF	
4	Frequency Tolerance	-	-20	~	+20	$\times 10^{-6}$	at 25°C $\pm$ 3°C
5	Parabolic Coefficient	-	-	~	-0.04	PPM/°C <sup>2</sup>	
6	Operating Temperature	-	-40	~	+85	°C	
7	Storage Temperature Range	-	-55	~	+125	°C	
8	Aging	-	-3	~	+3	$\times 10^{-6}$	Per year
9	Drive Level	DL	-	0.1	0.5	uW	
10	Equivalent Series Resistance	Rr	-	-	70	K $\Omega$	
11	Shunt Capacitance C0	C0	0.9	1.1	1.32	pF	
12	Motional Capacitance	C1	3.28	4.1	4.92	fF	
13	Insulation Resistance	-	500	-	-	M $\Omega$	at DC 100V



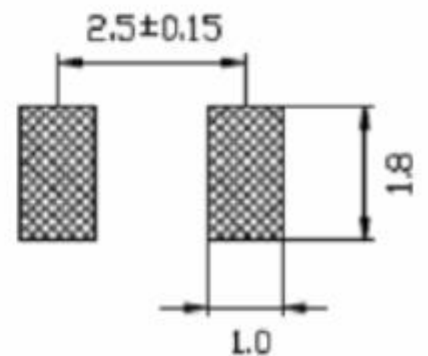
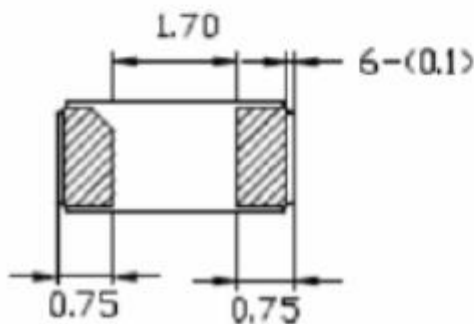
## 2、Mechanical Structure(mm)



<TOP VIEW>

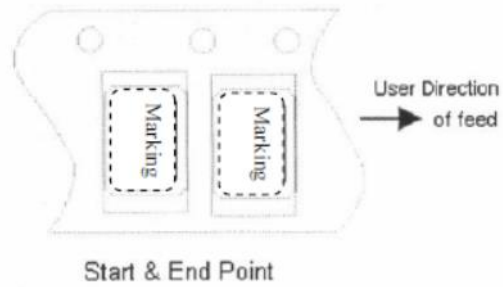
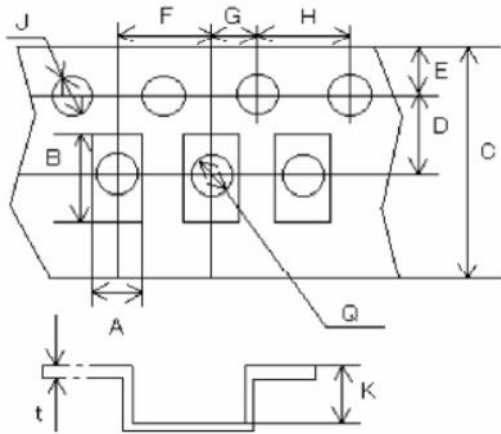


LAND PATTERN(REFERENCE)





### 3、 Package: Tape & Reel (mm)



A	B	C	D	E	F	G	H	J	K	t
1.75	3.45	12.0	5.5	1.75	4.0	2.0	4.0	1.5	1.0	0.25

REMARK :

