

Customer Code : _____

DATASHEET

DAPU P/N : **V936-C423-157.2864MHz**

Customer P/N: _____

DAPU			Customer Approval
Drew	Audited	Approved	Stamp, please! Thanks!
Date: 2020.07.01			

Guangdong Dapu Telecom Technology Co.,Ltd

Bldg13-16,.N.Ind.Zone,SSL Industry Park, Dongguan City, Guangdong Province, China

TEL: 0086-0769-88010888 FAX: 0086-0769-81800098



Table of amendment

Version	Revision contents	Prepared by	Revised date
1.0	The first issued	<i>Amway</i>	2020.07.01



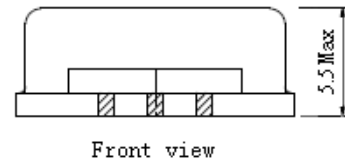
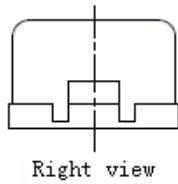
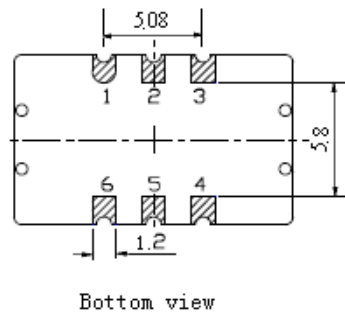
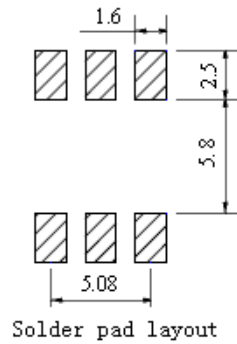
1、 Electrical Parameters

Parameters	SYM	Electrical Spec.				Notes
		Min.	Typ.	Max.	Units	
Frequency Stabilities						
Nominal Frequency	F_N	157.2864			MHz	
APR		-20		+20	$\times 10^{-6}$	
Output Waveform		SINE WAVE				
Load	I_{OUT}	50			Ohms	
Level		6			dBm	
Start-up Time	T_S			5	ms	
Aging		-3		+3	$\times 10^{-6}$	@1st year
		-1		+1	$\times 10^{-6}$	After first year
Supply Voltage						
Supply Voltage	V_{CC}	4.5	5.0	5.5	V	
Supply Current				40	mA	
Control Voltage						
Control Voltage Rang	V_C	0	1.5	3.0	V	$V_C=1.5V$
Absolute pulling range	APR	± 50			$\times 10^{-6}$	
Linearity		10		10	%	
Slope		Positive				
Jitter RMS				40	fs	12kHz – 20MHz
Phase Noise				-70	dBc/Hz	10Hz
				-105		100Hz
				-135		1KHz
				-140		10KHz
				-150		100KHz
				-155		1MHz

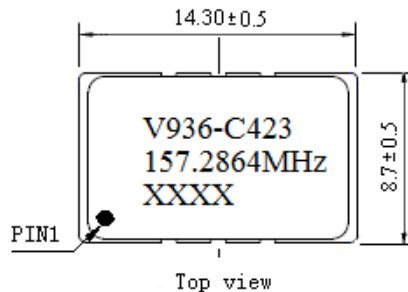


Environmental Conditions						
Operating Temperature	T _{OP}	-40	~	85	°C	
Storage Temperature	T _{ST}	-45	~	90	°C	
Shock	MIL-STD-202F method 213B, test condition: E, 1000G half-Sine wave.					
Vibration	14G, 50 to 2000Hz					
Humidity	85%RH +85°C for 48hours					
Fine leak	MIL-STD-883 method 1014,condition A/MIL-STD-883 Method 1014,contition C.					
Resistance to solvent	MIL-STD-202F method 215					
Temperature cycling	MIL-STD-883 method 1010					
Reflow	+260°C for 10S,2X					

2、 Mechanical Structure(mm)



PIN FUNCTION	
PIN	FUNCTION
1	VC
2	NC
3	GND
4	OUTPUT
5	NC
6	VCC



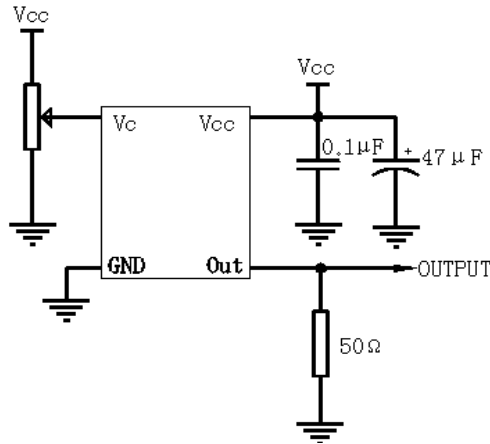
Note1: Tolerance ±0.2mm without mark

Note2: Referential weight 1.4g

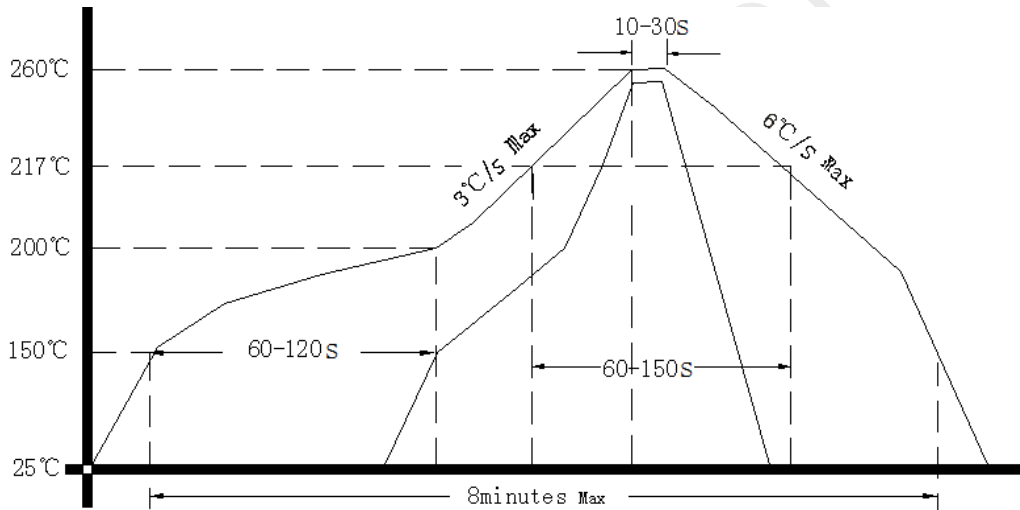
Note3: The first two xx representative: week
After two xx representative: year



3、 Test circuit



4、 Reflow Soldering Curve (RoHS)



5、 Package: Tape & Reel (mm)

