

Travelling Merchant: \_\_\_\_\_

# DATASHEET

Standard:     **T21-A573-26.00MHz**    

P/N: \_\_\_\_\_

Plot			The Label
Drew	Audited	Approved	Stamp, please! Thanks!
Date: 2020.11.16			

**Guangdong Dapu Telecom Technology Co.,Ltd**

Bldg13-16,.N.Ind.Zone,SSL Industry Park, Dongguan City, Guangdong Province, China

TEL: 0086-0769-88010888 FAX: 0086-0769-81800098





## 1. Electrical Parameters

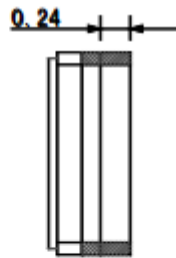
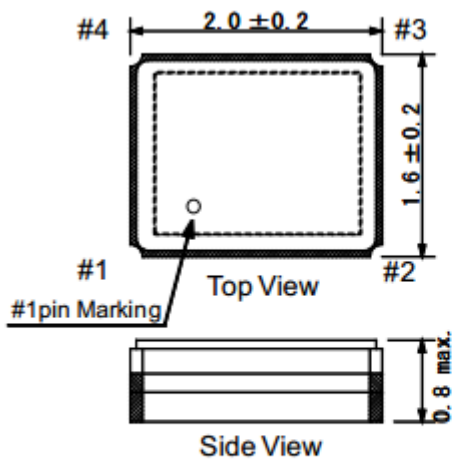
MODEL: T21-A573-26.00MHz						
Item	Description	Parameters			Unit	Test Condition
		Min.	Typ.	Max.		
Output	Frequency	26.00			MHz	
	Output Waveform	Clipped Sine Wave				
	Start up time			0.8	ms	Output amplitude $\geq 350\text{mV}$ Within $\pm 20 \times 10^{-6}$
				1.5	ms	90% of final output amplitude Within $\pm 2 \times 10^{-6}$
				2.5	ms	95% of final output amplitude Within $\pm 0.1 \times 10^{-6}$
				5.0	ms	100% of final output amplitude Within $\pm 0.05 \times 10^{-6}$
	Vp-p	0.7		1.2	V	
	Harmonics			-20	dBc	2nd
				-10	dBc	3 <sup>rd</sup>
				-60	dBc	34 <sup>th</sup> , 36 <sup>th</sup> , >69 <sup>th</sup>
			-18	dBc	Other	
Load	10K $\Omega$ //10pF					
Frequency Stabilities	Frequency Tolerance	-2		+2	$\times 10^{-6}$	@25 $^{\circ}\text{C}$
	vs. Temperature Range	-1.5		+1.5	$\times 10^{-6}$	T <sub>A</sub> varied from -30 $^{\circ}\text{C}$ to 85 $^{\circ}\text{C}$ , measurement referenced to frequency observed with T <sub>A</sub> =25 $^{\circ}\text{C}$ , V <sub>cc</sub> =1.8V, V <sub>c</sub> =0.9V, O <sub>load</sub> =10K $\Omega$ //10pF, temperature variable speed less than 2 $^{\circ}\text{C}$ per minute.
	Frequency Tolerance vs. Supply Voltage	-0.2		+0.2	$\times 10^{-6}$	measurement referenced to frequency observed T <sub>A</sub> =25 $^{\circ}\text{C}$ , V <sub>cc</sub> varied from 1.70V to 1.90V, and O <sub>load</sub> =10K $\Omega$ //10pF



Frequency Stabilities	Frequency Tolerance vs. Load	-0.2		+0.2	$\times 10^{-6}$	10% load change measurement referenced to frequency observed with $T_A=25^\circ\text{C}$ , $V_{cc}=1.8\text{V}$ , and $O_{Load}=10\text{K}\Omega//10\text{pF}$ .
	Aging Tolerance Per Day	-0.02		+0.02	$\times 10^{-6}$	$T_A=25^\circ\text{C}$ , $V_{cc}=1.8\text{V}$ , and after 1h of operation.
	Aging Tolerance 1 Year	-1		+1	$\times 10^{-6}$	
Power Supply	Operating Current			2	mA	@ $25^\circ\text{C}$ , $V_{cc}=1.8\text{V}$
	Supply Voltage	1.70	1.80	1.90	V	
Phase Noise	Phase Noise@ $25^\circ\text{C}$			-108	dBc/Hz	100Hz
				-130	dBc/Hz	1KHz
				-145	dBc/Hz	10KHz
				-148	dBc/Hz	100KHz
				-148	dBc/Hz	1MHz
Voltage Control Characteristics	Frequency Tuning Range			-8	$\times 10^{-6}$	$V_c=0.05\text{V}$ . measurement referenced to $V_c=0.9\text{V}$
		+7			$\times 10^{-6}$	$V_c=1.5\text{V}$ . measurement referenced to $V_c=0.9\text{V}$
		+10.5			$\times 10^{-6}$	$V_c=1.8\text{V}$ . measurement referenced to $V_c=0.9\text{V}$
	Tuning linearity deviation	-20		+20	%	Relative to mean $df/dV_{con}$
	Tuning sensitivity			16	$\times 10^{-6}/\text{V}$	
	Input Impedance	100			K $\Omega$	
Environmental Conditions	Operable Temperature	-30		+85	$^\circ\text{C}$	
	Storage Temperature	-40		+90	$^\circ\text{C}$	
	ESD Level	Human Body Model,class2: 2000V to 4000V; ANSI/ESDA/JEDEC JS-001-2010.				
		Machine Model, class B: 200V to 400V; JEDEC JESD22-A115C.				
	Moisture Sensitivity Level	Level 2.				
	Vibration	Test Condition: 0.75mm ;acceleration:10g;10Hz~2000Hz, one cycle per 30 min, test 2 hour. (3 times for each 3 directions X , Y , Z) .IEC 68-2-06 Test Fc.				
Shock	100g; 6ms; half sine wave (3 times for each 3 directions X , Y , Z) ,IEC 68-2-27 Test Ea/Severity 50A.					
Full Package Storage	Relative humidity (%)	20%~70%				
	Temperature ( $^\circ\text{C}$ )	-10~35 $^\circ\text{C}$				

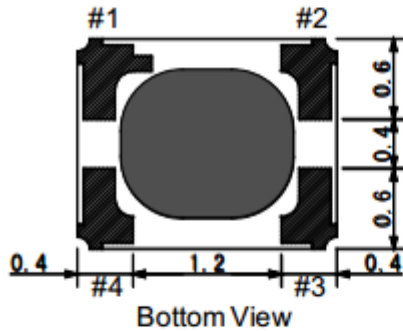


## 2. Mechanical Structure(mm)



Note1  
Terminal Coplanarity:80um max

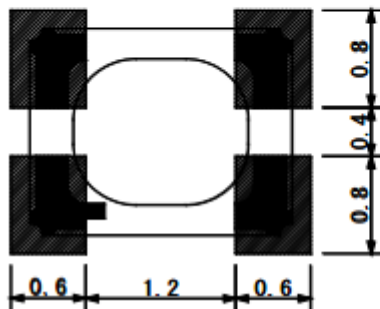
Note2  
Electrode : Cu + Ni + Au  
(10μ min+3μ min+0.03μ min)



	Pin Connection
# 1 pin	Vcon
# 2 pin	GND
# 3 pin	Output
# 4 pin	Vcc

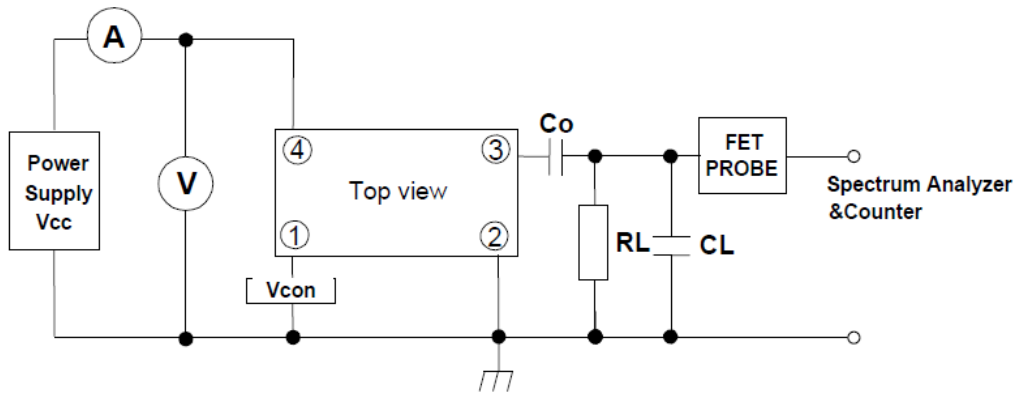
Unit: mm

Recommended Land Pattern

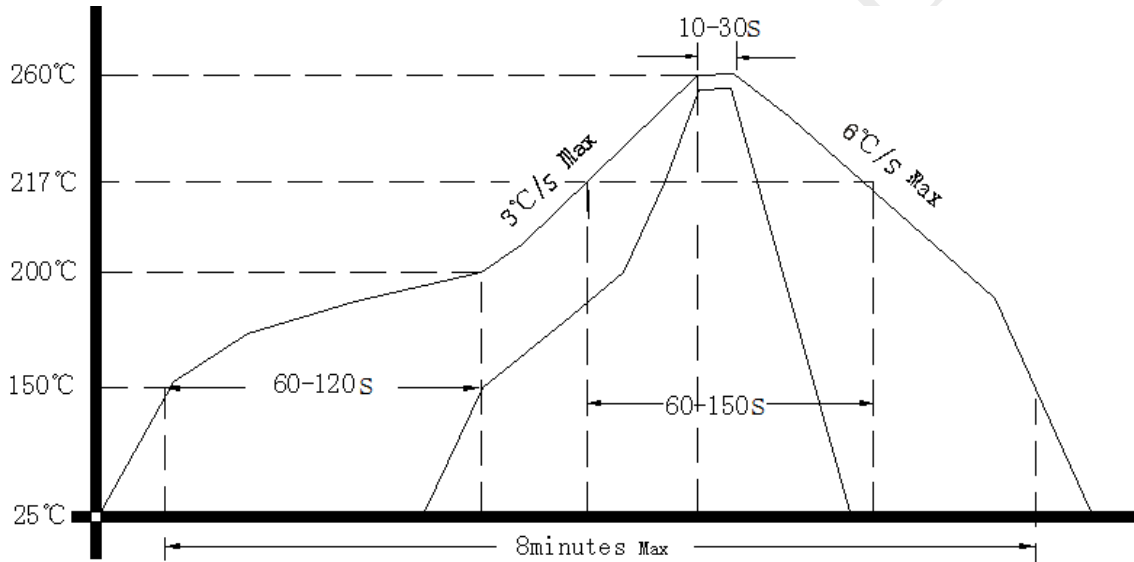




### 3. Test Circuit



### 4. Reflow Soldering Curve (RoHS)



### 5. Package: Tape & Reel (mm)

