

Travelling Merchant: _____

DATASHEET

Standard: DP8B32768004

Plot			The Label
Drew	Audited	Approved	Stamp, please! Thanks!
Date: 2021.09.16			

Guangdong Dapu Telecom Technology Co.,LTD

Building 5, No.24, Industrial Road East, Songshanhu Park, Dongguan, Guangdong, P.R. China

TEL: 0086-0769-88010888 FAX: 0086-0769-81800098

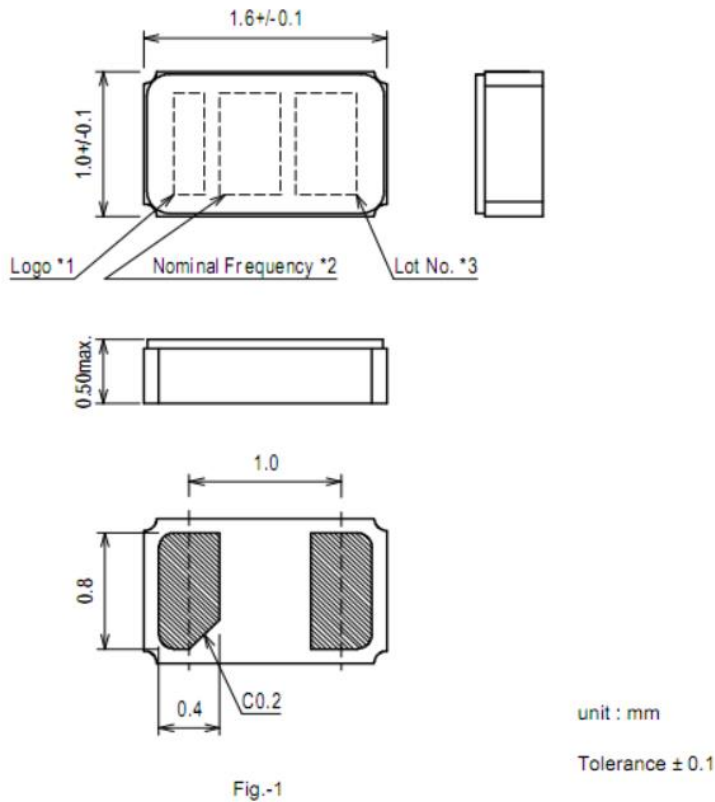


1、 Electrical Parameters

MODEL: DP8B32768004							
No.	Parameters	SYM.	Electrical Spec.				Notes
			Min.	Typ.	Max.	Units	
1	Nominal Frequency	FL	32.768			KHz	
2	Oscillation Mode	-	Fundamental			-	
3	Load Capacitance	CL	9			pF	
4	Frequency Tolerance	-	-20	~	+20	$\times 10^{-6}$	At 25°C± 3°C
5	Parabolic Coefficient	-	-	~	-0.04	PPM/°C^2	
6	Operating Temperature	-	-40	~	+85	°C	
7	Storage Temperature Range	-	-55	~	+125	°C	
8	Drive Level	DL	-	0.1	1	μW	
9	Series Resistance		-	-	90	KΩ	
10	Shunt Capacitance C0	C0	-	1.3	-	pF	
11	Insulation Resistance	-	500	-	-	MΩ	At DC 100V+/-15V

2、 Mechanical Structure(mm)

2.1. DIMENSIONS



Marking should be printed as follows:

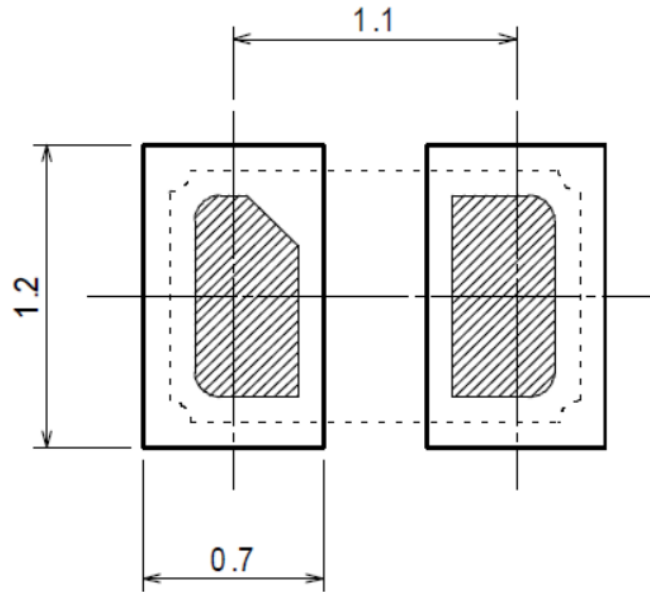
Logo(*1),Nominal Frequency(*2),Lot No.(*3)

*1 Manufacturer logo. *2 Frequency Code: A 32.768KHz.

*3 Lot Code



2.2. LAND PATTERN(REFERENCE)



3、 Package: Tape & Reel (mm)

3.1. Dimensions of Emboss carrier tape

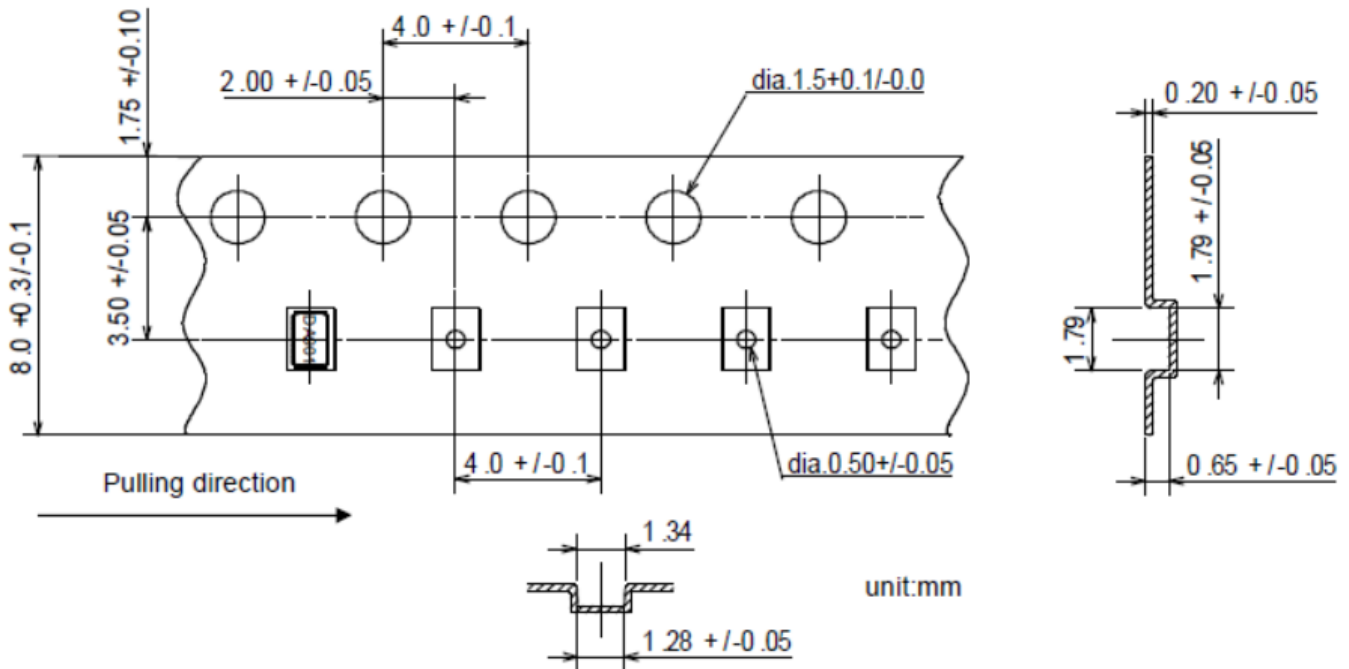


Fig.-2



3.2. Dimensions of tape reel

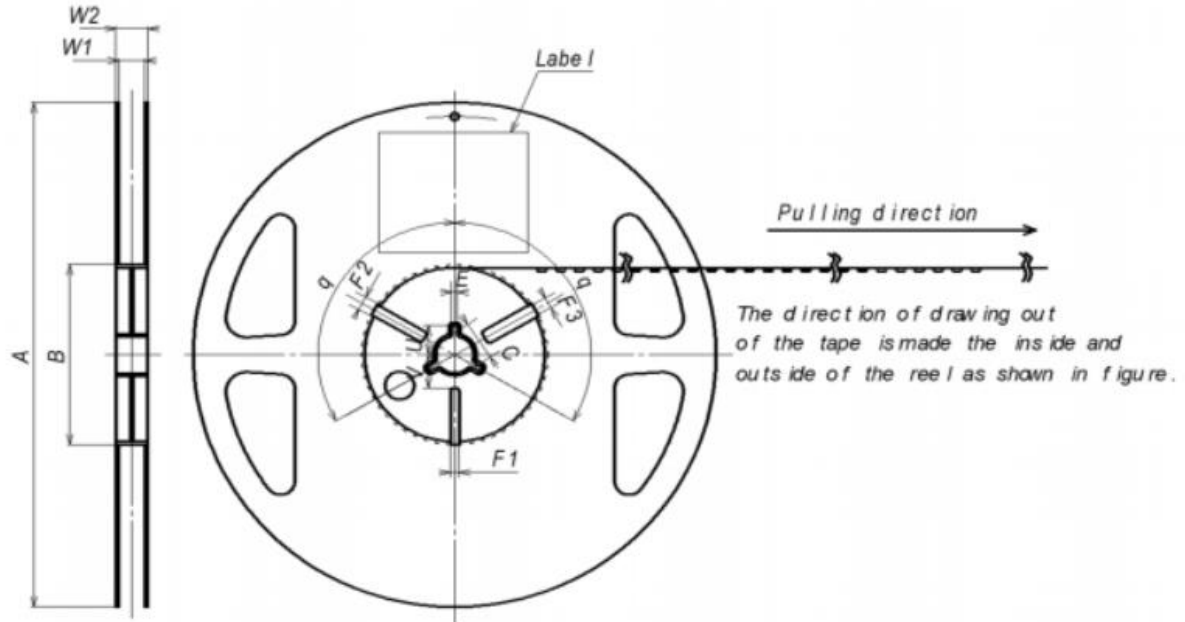


Fig.-3

Table-1

			unit:mm	
Item		Mark	Dimensions / Angle	
Flange	Diameter	A	$\Phi 180 +0 -3.0$	
	Inside width	W1	9.0 ± 0.3	
	Outside width	W2	11.4 ± 1.0	
Center Core	Out Line diameter	B	$\Phi 60 +1.0 -0$	
	Center core slit	Width	F1	3.0 ± 0.2
			F2	4.0 ± 0.2
			F3	5.0 ± 0.2
		Length	V	11.9
		Position	q	120°
		Spindle diameter	C	$\Phi 13 \pm 0.2$
	key Seats	Width	E	2.0 ± 0.5
		Length	U	10.5 ± 0.4
Position		q	120°	
Indication of type		Sticker label on one side of flange		