

Travelling Merchant: _____

DATASHEET

Standard: **T21-S589-16.368MHz**

Plot			The Label
Drew	Audited	Approved	Stamp, please! Thanks!
Date: 2022.04.11			

Guangdong Dapu Telecom Technology Co.,Ltd

Building 5, No.24, Industrial East Road, Songshanhu Park, Dongguan, Guangdong, P.R. China

TEL: 0086-0769-88010888 FAX: 0086-0769-81800098

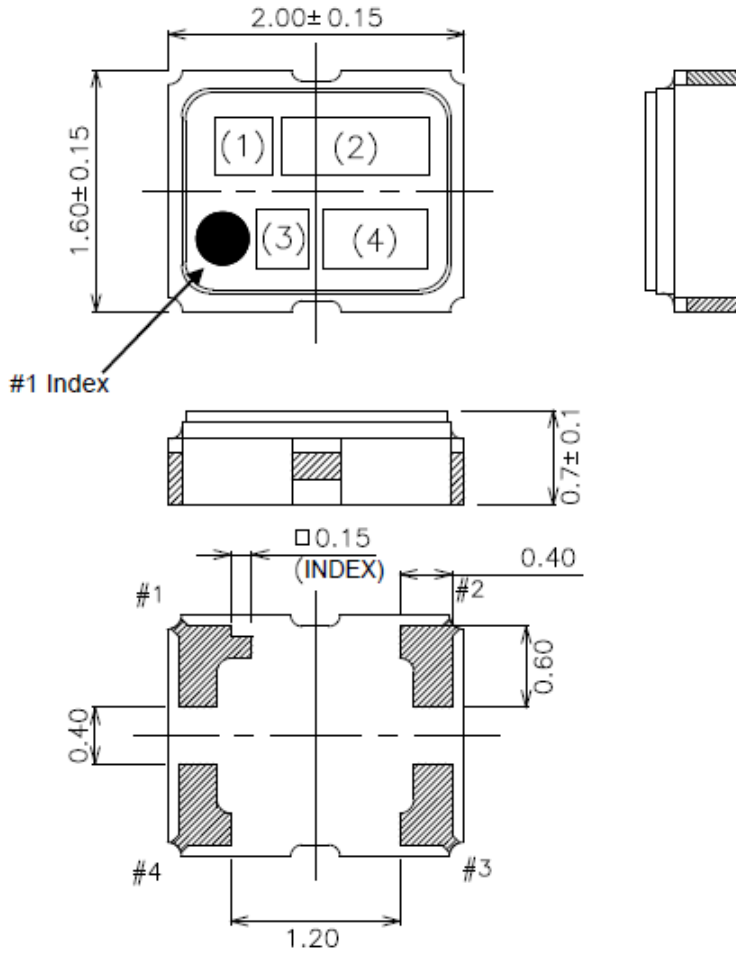


1、 Electrical Parameters

MODEL: T21-S589-16.368MHz							
No	Parameters	SYM.	Electrical Spec.				Notes
			Min.	Typ.	Max.	Units	
1	Nominal Frequency	-	16.368			MHz	
2	Supply Voltage	-	2.375	2.5	2.625	V	
3	Current consumption		-	-	1.5	mA	
4	Start-up time				2	ms	
5	Output Level	-	0.8	-	-	V _{p-p}	
6	Symmetry		40	50	60	%	
7	Output Waveform		Clipped Sine wave			-	
8	Standard Output Load	-	10KΩ/10pF			-	
9	Frequency Stability	vs.Tolerance	-1.5	-	+1.5	× 10 ⁻⁶	@25±2°C 2H, After 2times reflow soldering, based on nominal frequency.
10		vs. Temperature	-0.5	-	+0.5	× 10 ⁻⁶	TA= -40~+85°C Ref. to Frequency (TA=+25°C)
11		vs.Hysteresys	-0.6	-	+0.6	× 10 ⁻⁶	
12		vs. Load	-0.1	-	+0.1	× 10 ⁻⁶	V _{cc} ±5%
13		vs. Supply Voltage	-0.1	-	+0.1	× 10 ⁻⁶	Load±10%
14	Operating Temperature Range	-	-40	~	+85	°C	
15	Storage Temperature	-	-40	~	+85	°C	
16	Aging		-1.0	-	+1.0	× 10 ⁻⁶	Per year (AT 25°C)
			-5.0	-	+5.0	× 10 ⁻⁶	10 years (AT 25°C)
17	G Sensitivity				2	× 10 ⁻⁹ G	Gamma Vector of all 3axes from 30 to 1500Hz
18	Phase Noise @ 25°C±2°C				-130	dBc/Hz	1KHz
19	ESD Level	Human Body Model, class2: 2000V to 4000V; ANSI/ESDA/JEDEC JS-001-2010.					
		Machine Model, class B: 200V to 400V; JEDEC JESD22-A115C.					
20	Moisture Sensitivity Level	Level 2.					
21	Vibration	Test Condition: 0.75mm ;acceleration:10g;10Hz~2000Hz, one cycle per 30 min, test 2 hour. (3 times for each 3 directions X , Y , Z) .IEC 68-2-06 Test Fc.					
22	Shock	100g; 6ms; half sine wave (3 times for each 3 directions X , Y , Z),IEC 68-2-27 Test Ea/Severity 50A.					



2、Mechanical Structure(mm)



Pin Connections

Pin No.	Connection
#1	GND
#2	GND
#3	Output
#4	V _{CC}

Marking

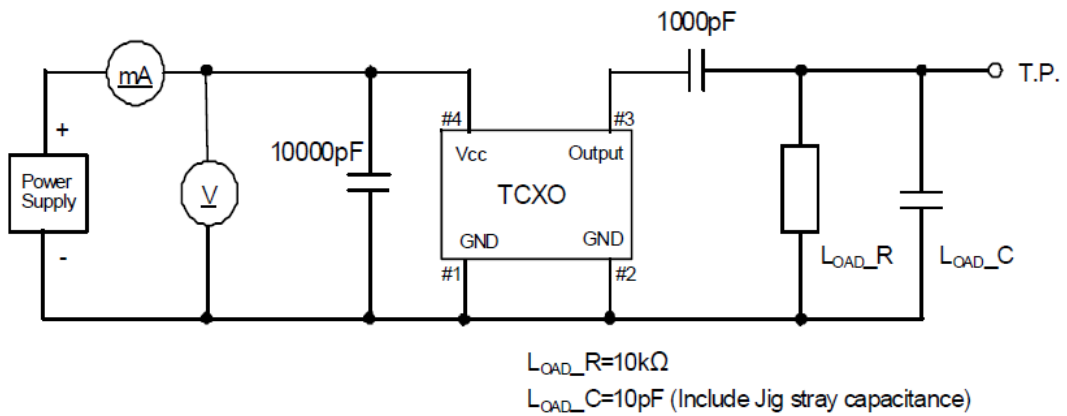
(1) Model code	BN
(2) Frequency	16.3 (MHz, 3digits)
(3) Logo	D
(4) Date code	Year (1digit) +Week (2digits) e.g.2014/1/1 → 401

unit: mm

Dimensional Tolerance: ±0.1

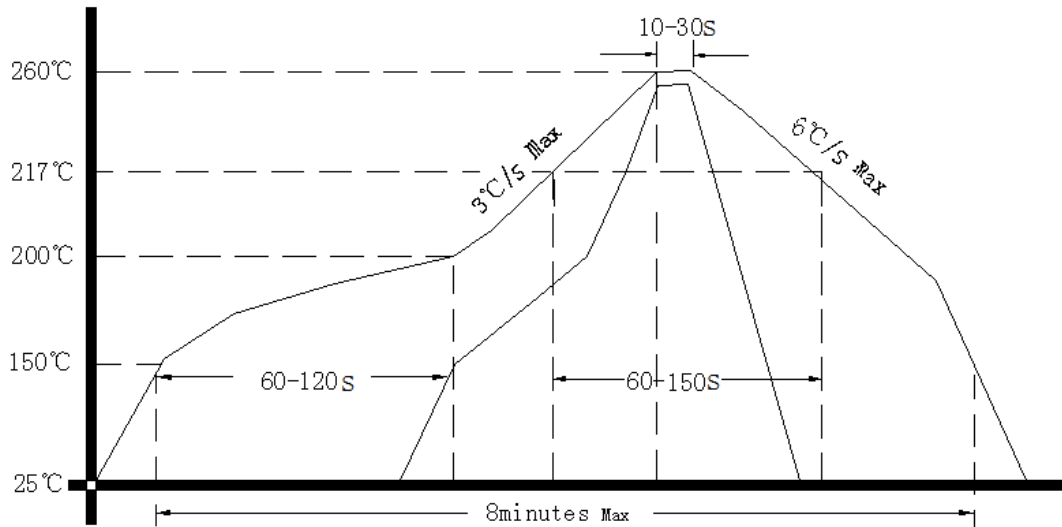
(Unless otherwise noted)

3. Test Circuit





4. Reflow Soldering Curve (RoHS)



5. Package: Tape & Reel (mm)

